

[54] SKATE WHEEL

[76] Inventor: Gary L. Corbin, 11117 Klingerman St., El Monte, Calif. 91733

[\*\*] Term: 14 Years

[21] Appl. No.: 56,546

[22] Filed: Jul. 11, 1979

[51] Int. Cl. .... D21-02

[52] U.S. Cl. .... D21/226

[58] Field of Search ..... D21/226, 227; 280/11.19, 11.2, 11.21, 11.27, 11.28, 87.04 A, 87.04 B; D12/204, 207, 208, 212; 301/5.3, 5.7, 37 P, 37 CM, 37.6, 53, 37 PB

[56] References Cited

U.S. PATENT DOCUMENTS

- D. 118,850 2/1940 Davenport ..... 301/37 L
- D. 165,384 12/1951 Lyon ..... 301/37 L
- 4,040,670 8/1977 Williams ..... 301/5.3

OTHER PUBLICATIONS

Playthings, 11-1977, p. 31, Skateboard Wheel.

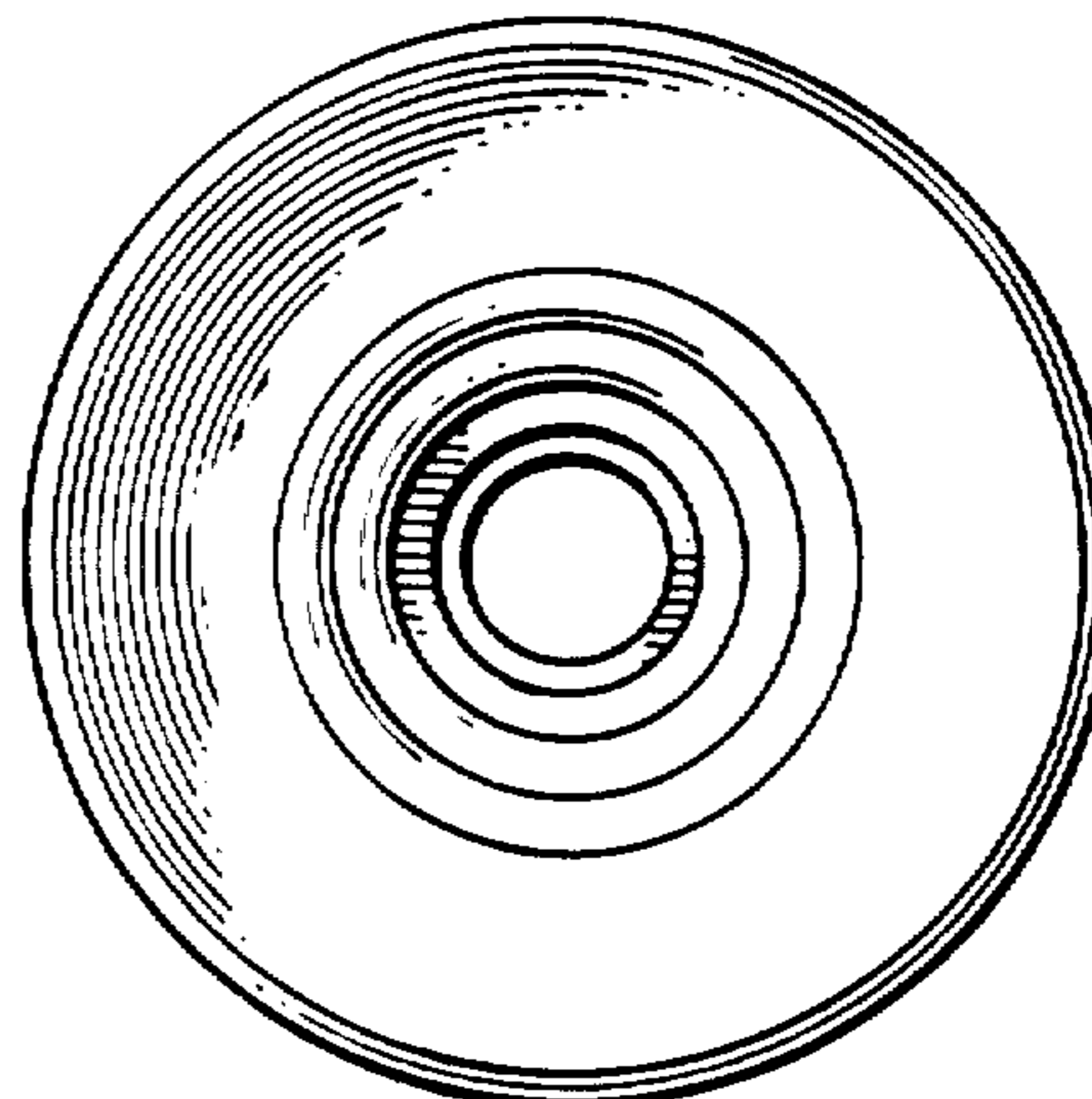
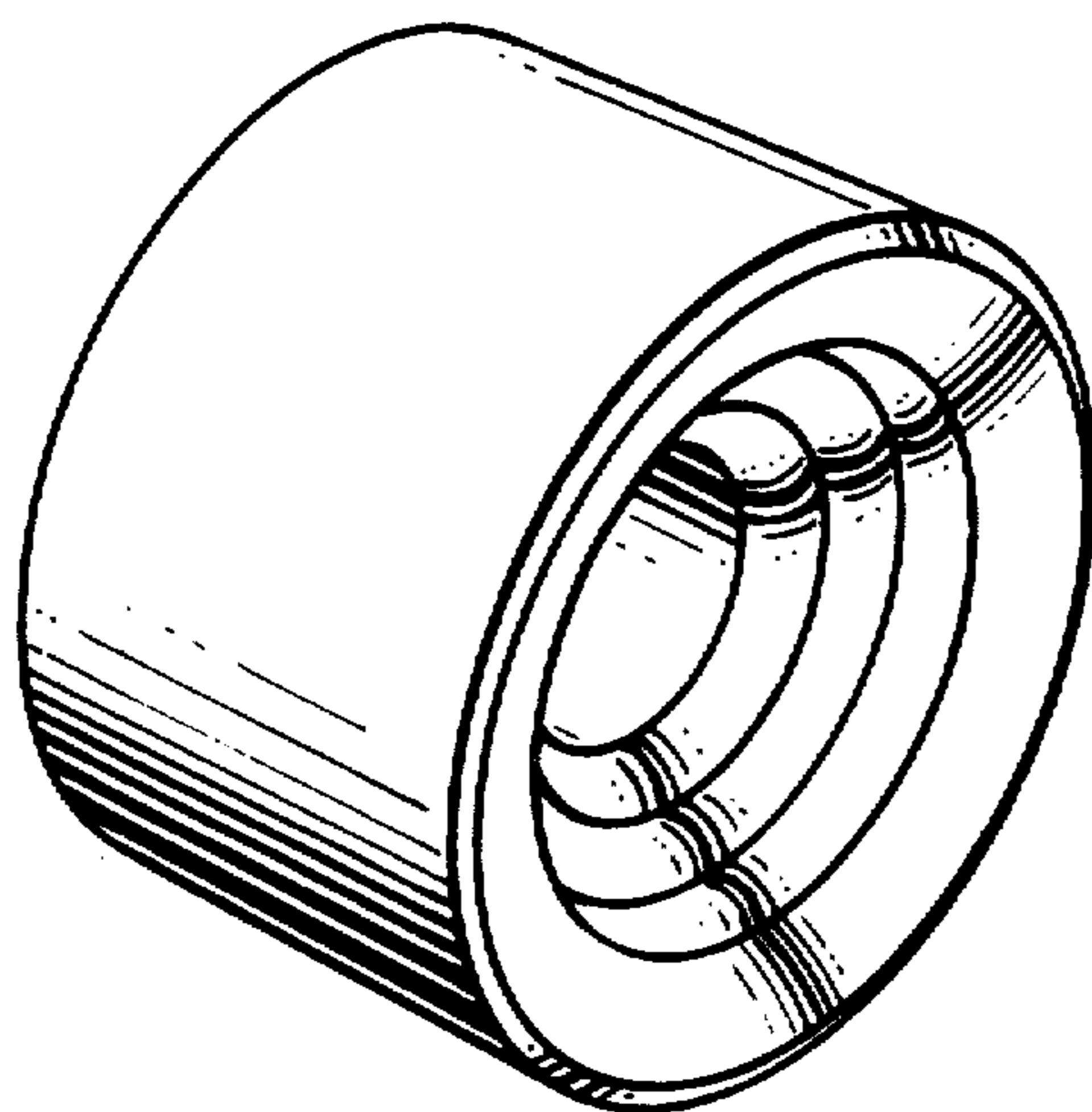
Primary Examiner—Charles A. Rademaker  
Attorney, Agent, or Firm—Poms, Smith, Lande & Rose

[57] CLAIM

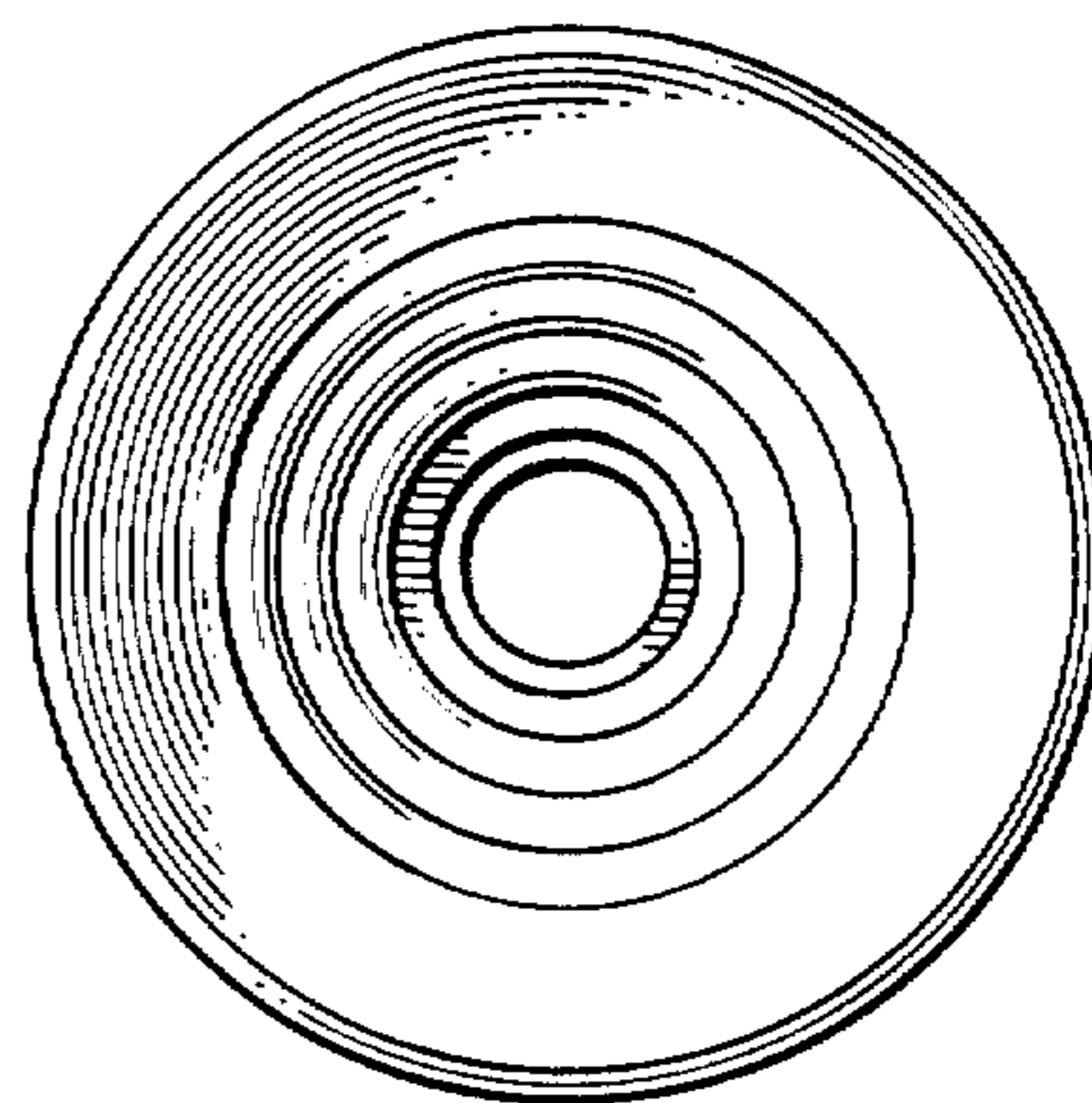
The ornamental design for a skate wheel, as shown and described.

DESCRIPTION

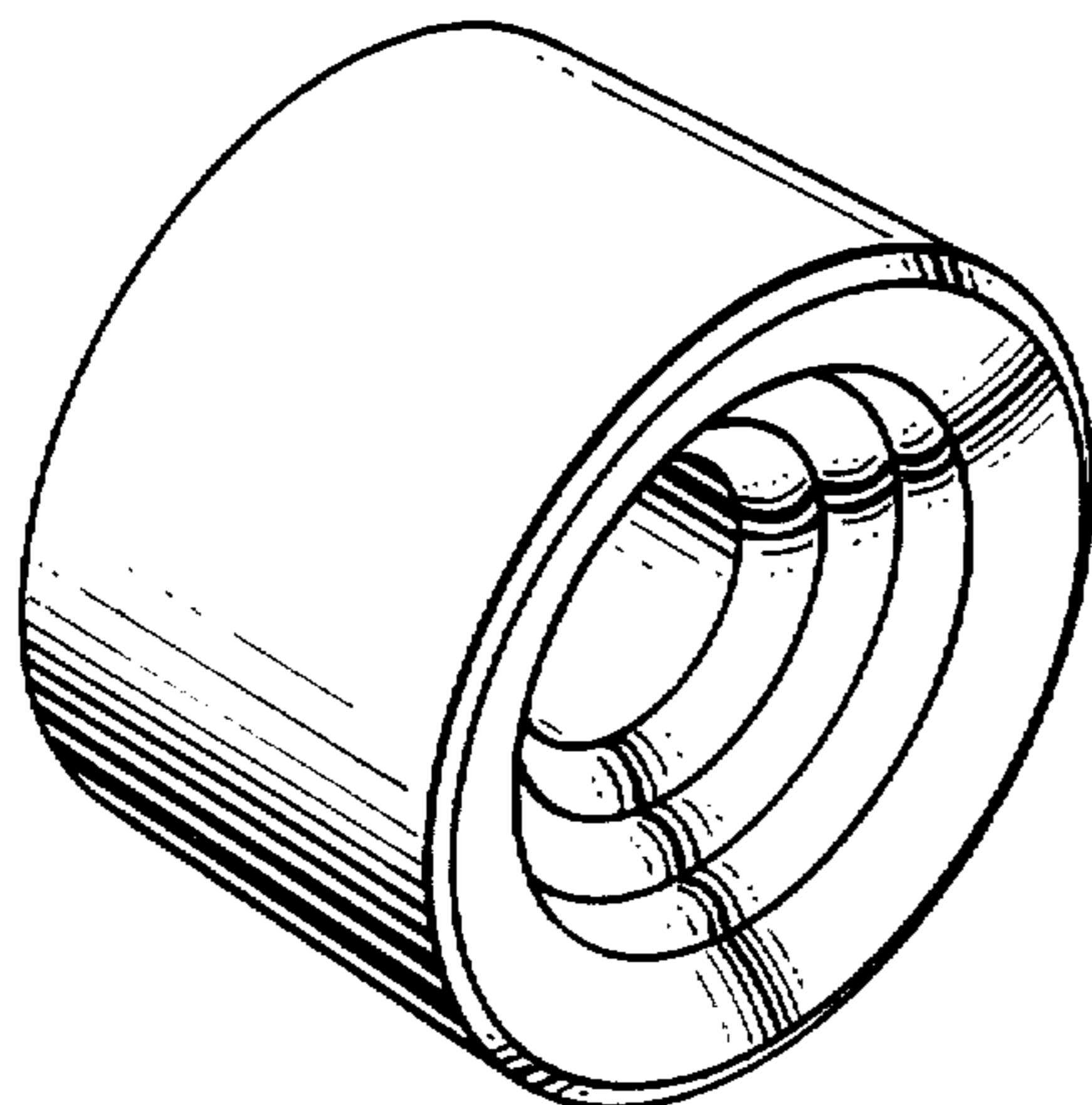
FIG. 1 is a front perspective view of a skate wheel showing my new design;  
 FIG. 2 is a front elevational view thereof;  
 FIG. 3 is a rear elevational view thereof;  
 FIG. 4 is a cross-sectional view thereof taken along line IV-IV in FIG. 3;  
 FIG. 5 is a front perspective view of a modified form of the design shown in FIGS. 1 through 4;  
 FIG. 6 is a front elevational view thereof;  
 FIG. 7 is a rear elevational view thereof; and,  
 FIG. 8 is a cross-sectional view thereof taken along line VIII-VIII in FIG. 7.



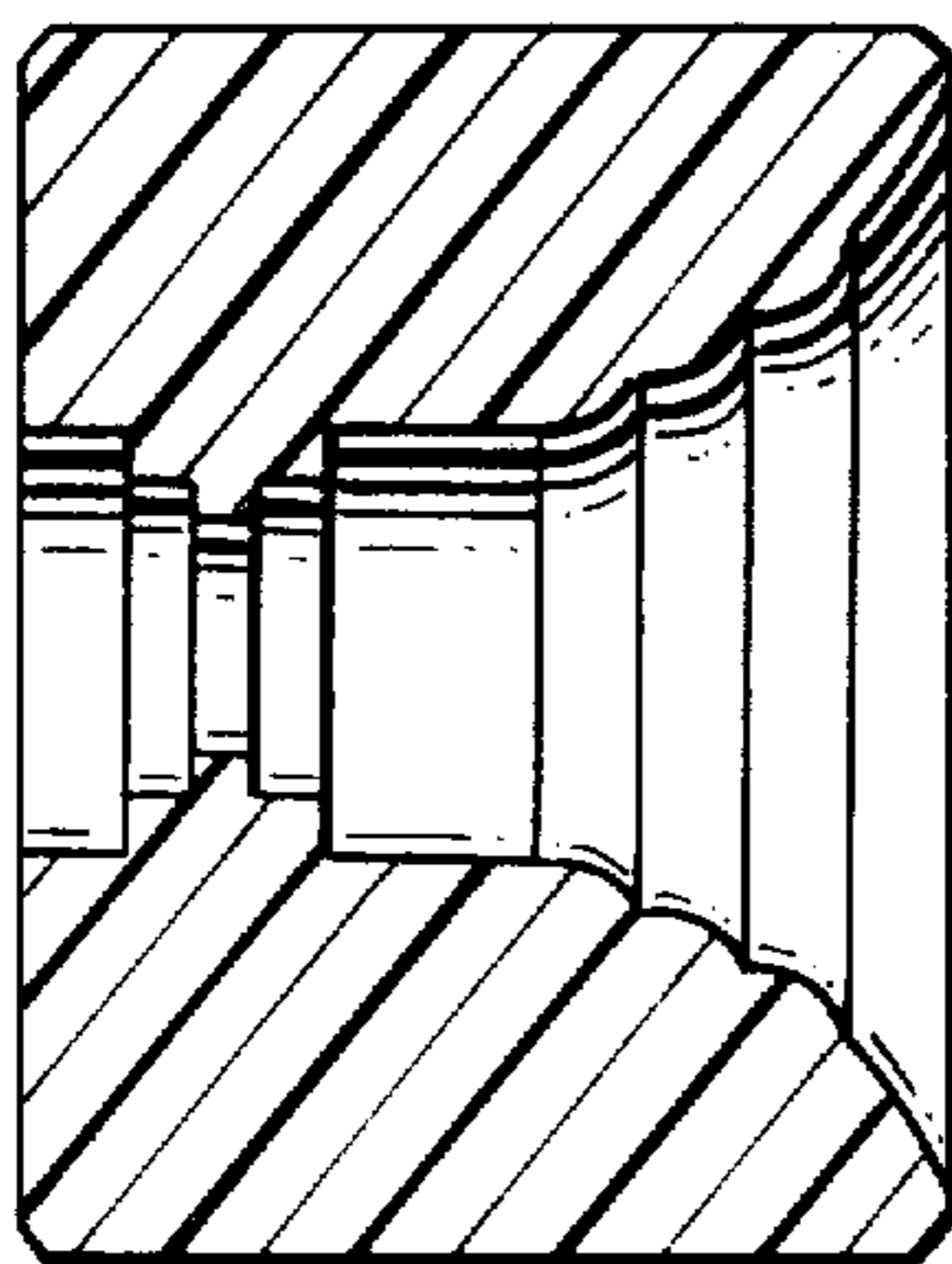
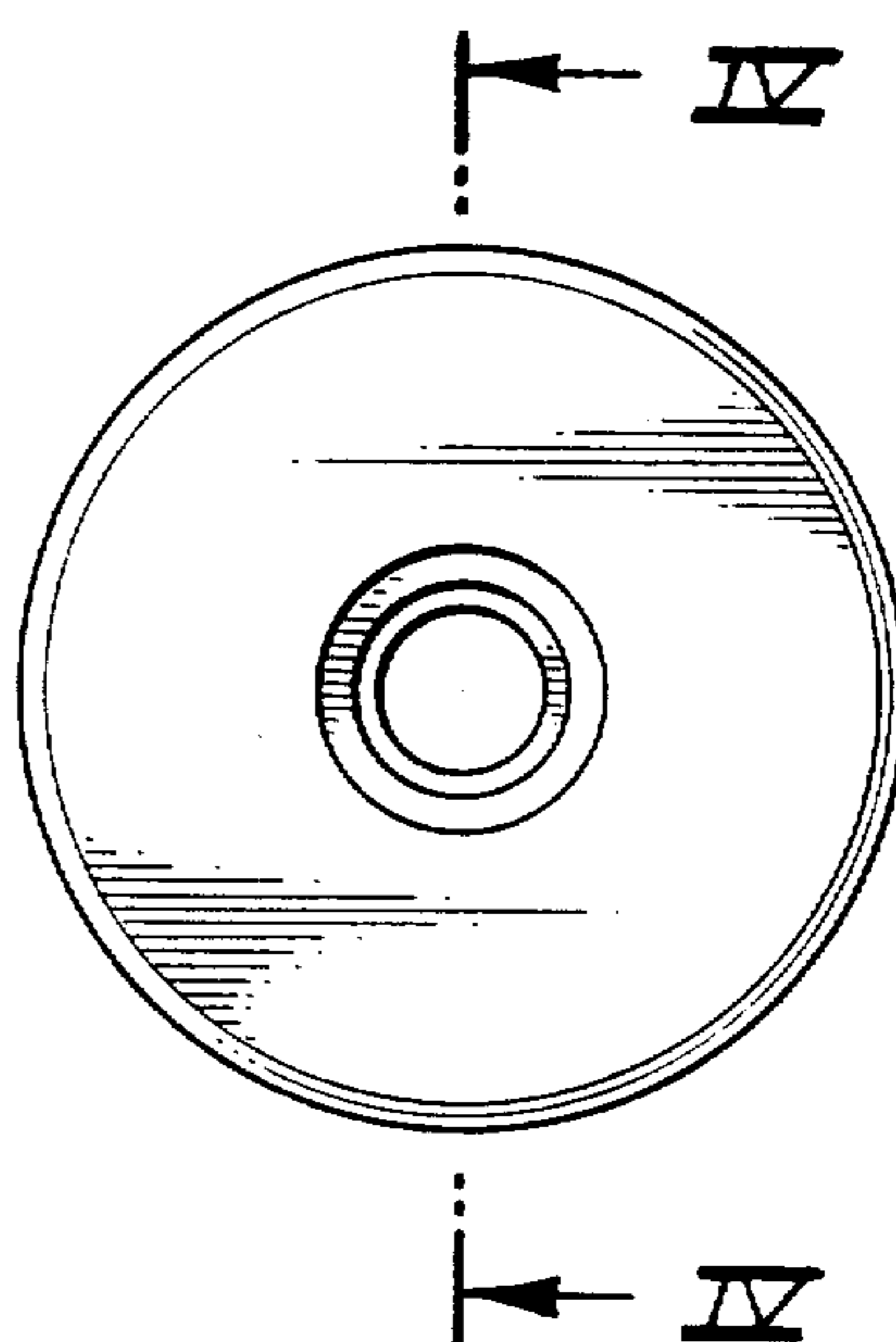
*Fig. 2.*



*Fig. 1.*

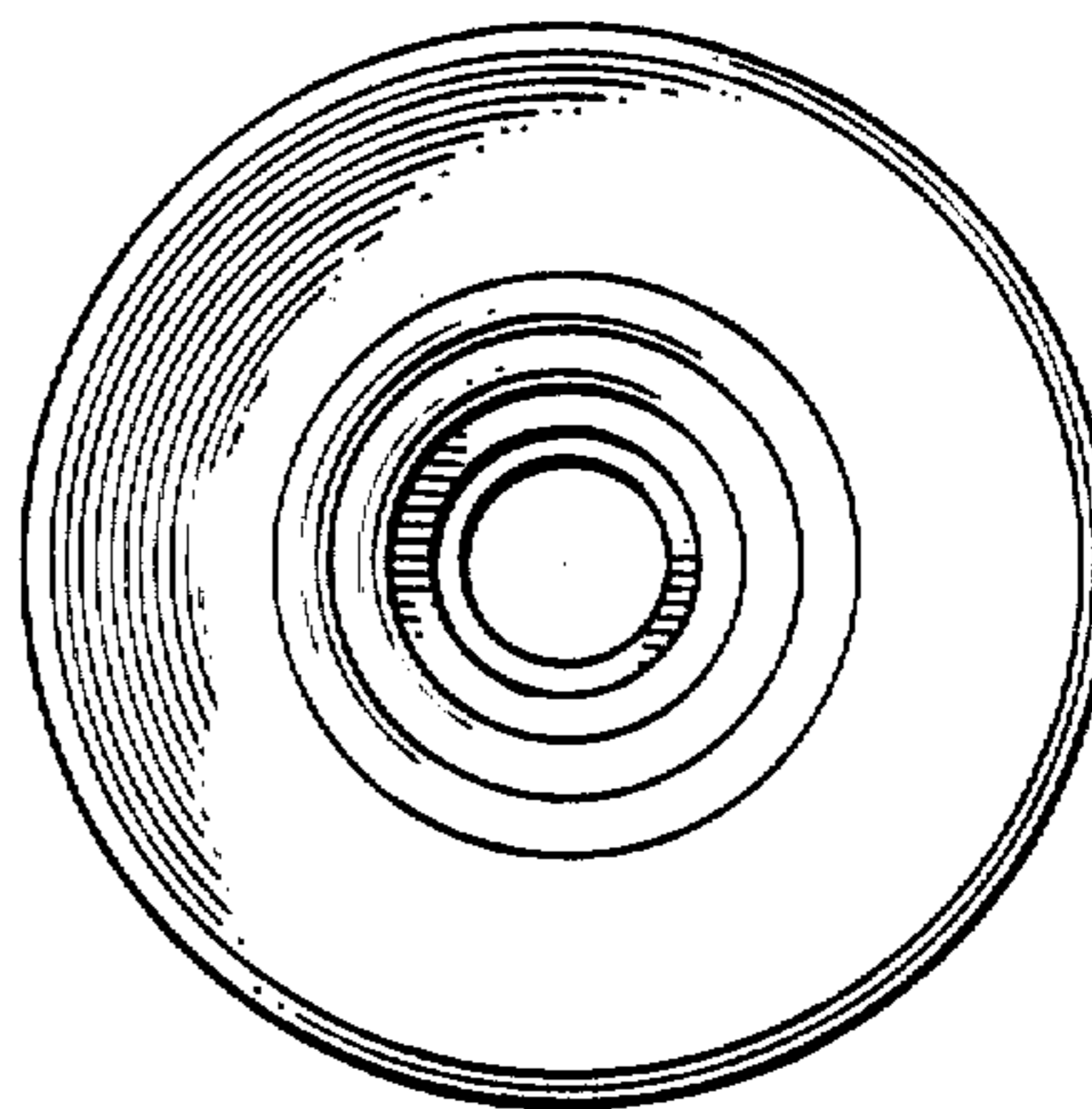


*Fig. 3.*

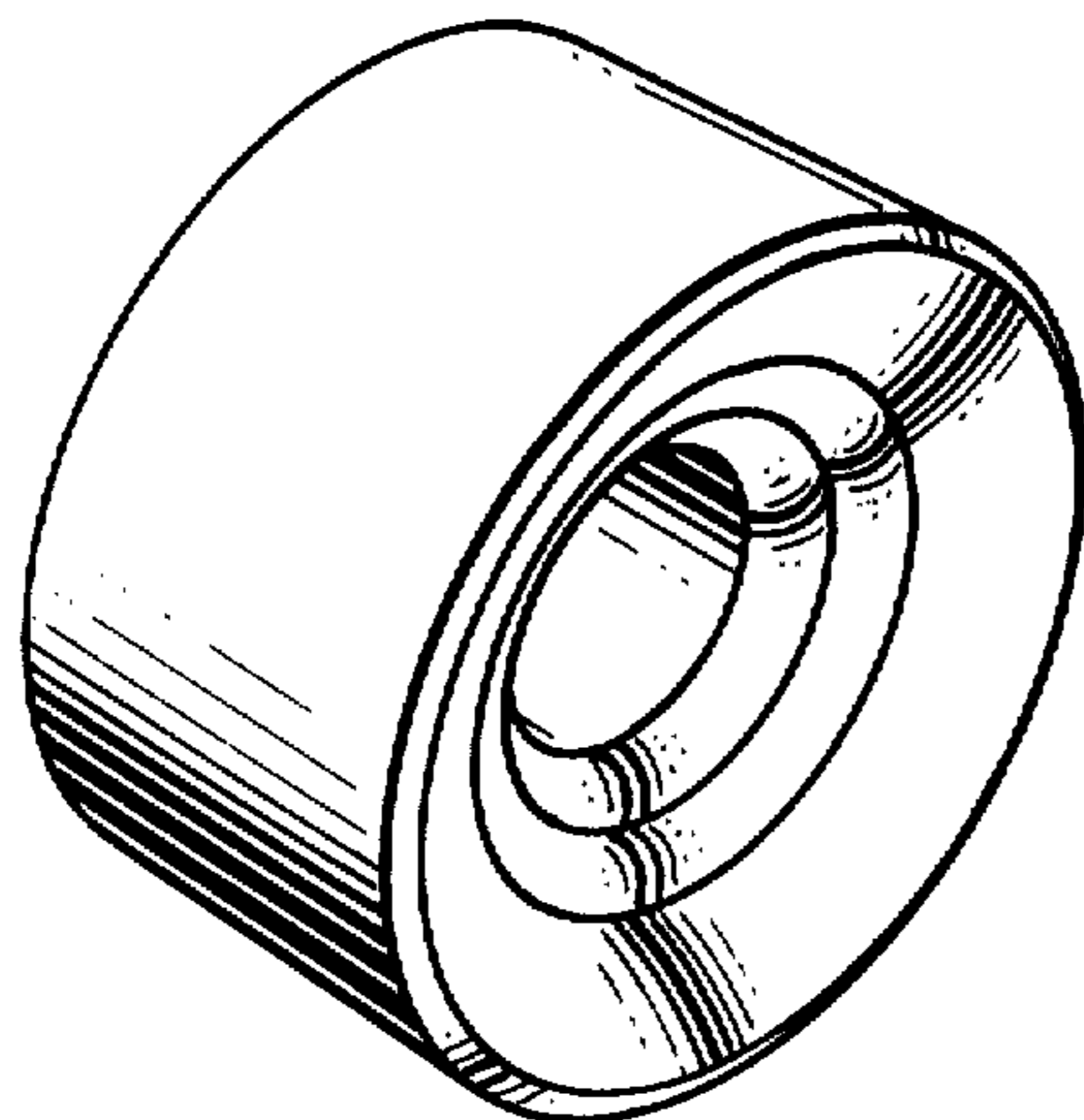


*Fig. 4.*

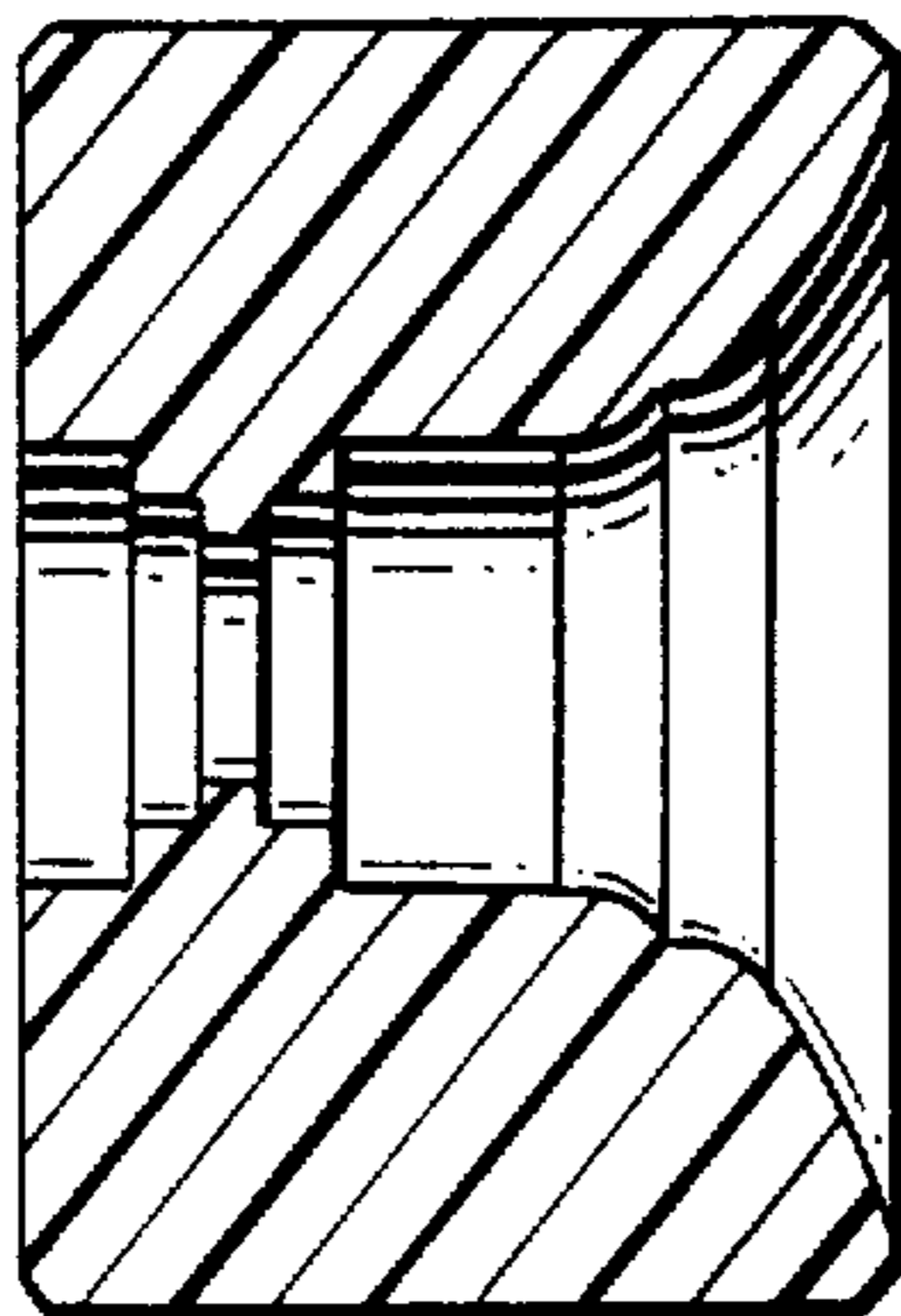
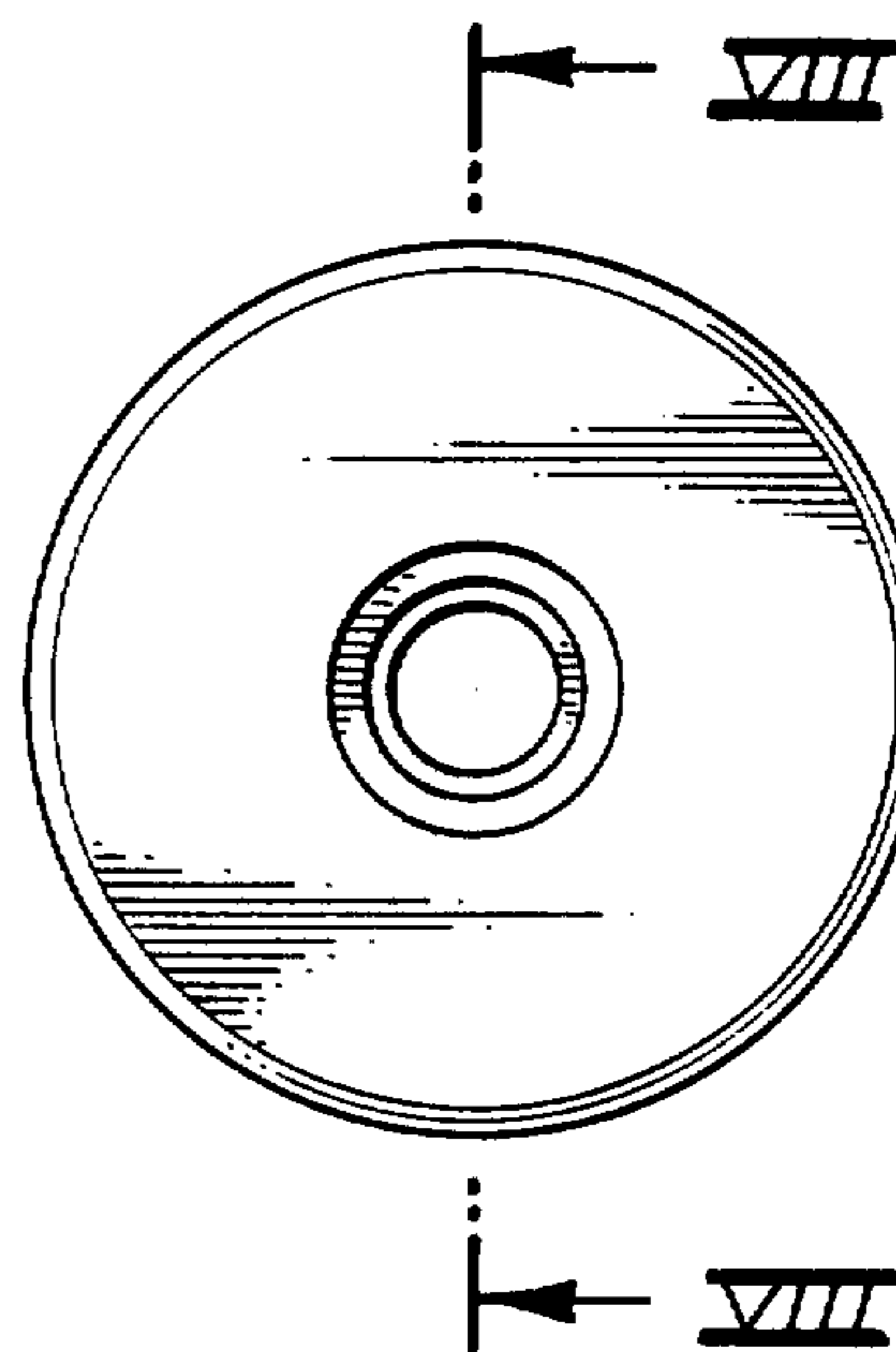
*Fig. 6.*



*Fig. 5*



*Fig. 7.*



*Fig. 8.*