

[54] PHOTOGRAPHIC PRINT WASHER

[76] Inventor: Roger Wilken, R.F.D. 2-Bonnyvale Rd., Guilford, Vt. 05301

[\*\*] Term: 14 Years

[21] Appl. No.: 34,837

[22] Filed: Apr. 30, 1979

[51] Int. Cl. .... D16-04

[52] U.S. Cl. .... D16/35

[58] Field of Search ..... D16/33, 34, 35, 37; 354/297, 324, 325, 328, 331, 335, 337, 338, 339, 340, 343, 347

[56] References Cited

U.S. PATENT DOCUMENTS

3,657,990	4/1972	Wilhelm	354/331
4,001,855	1/1977	Wilhelm	354/324
4,147,423	4/1979	Sayre	354/340

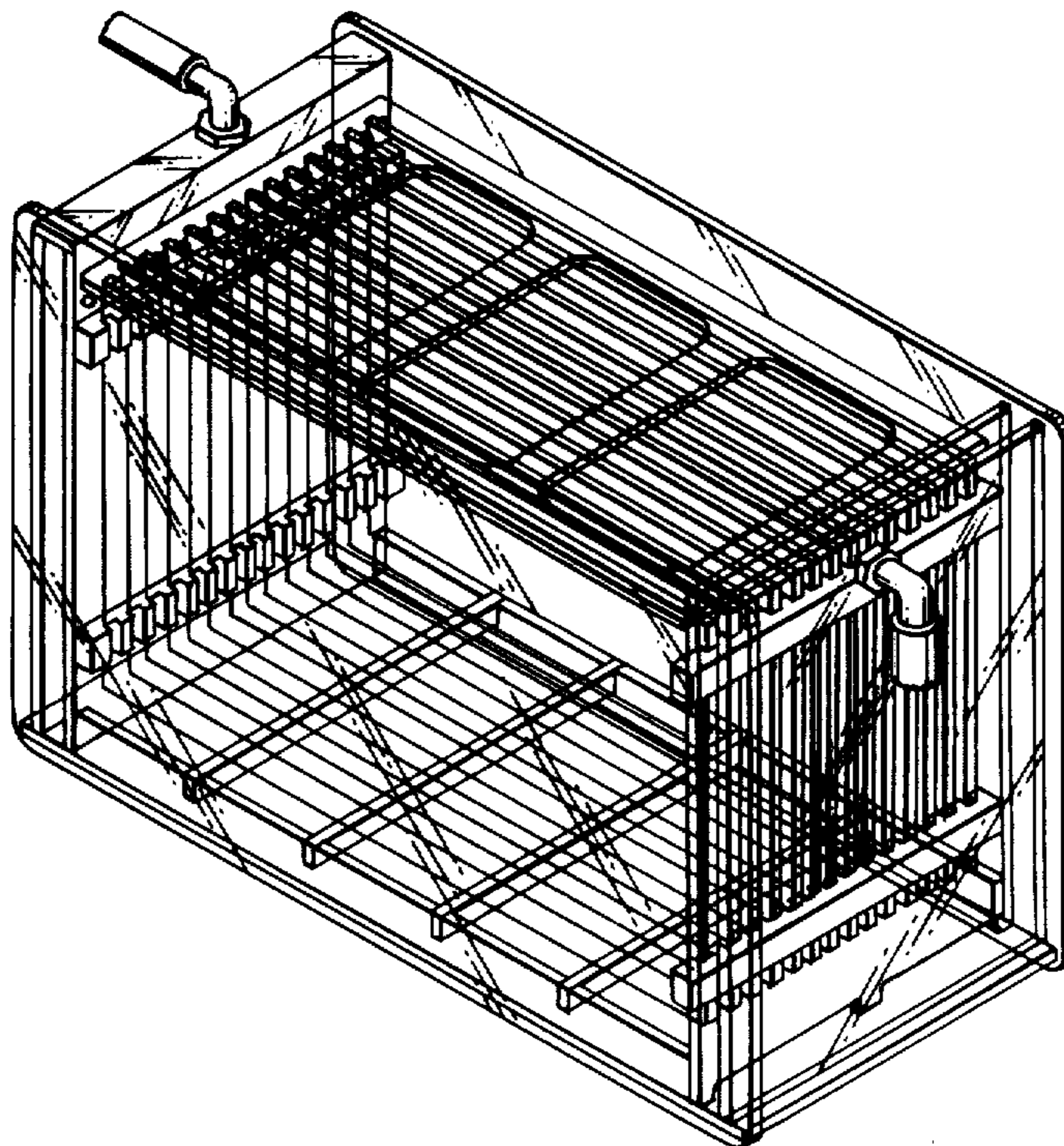
Primary Examiner—Peter M. Caun  
Assistant Examiner—A. Batic  
Attorney, Agent, or Firm—Jones, Tullar & Cooper

[57] CLAIM

The ornamental design for a photographic print washer, substantially as shown and described.

DESCRIPTION

FIG. 1 is a perspective front view of a photographic print washer, showing my new design; FIG. 2 is a rear elevational view of the design of FIG. 1; FIG. 3 is an end elevational view, taken from the right of the print washer as shown in FIG. 1; FIG. 4 is an end elevational view taken from the left end of the print washer as shown in FIG. 1; FIG. 5 is a top plan view of the design of FIG. 1; and FIG. 6 is a bottom plan view of the design of FIG. 1. Hoses are fragmentarily shown in all views for ease of illustration and to indicate indeterminable length.



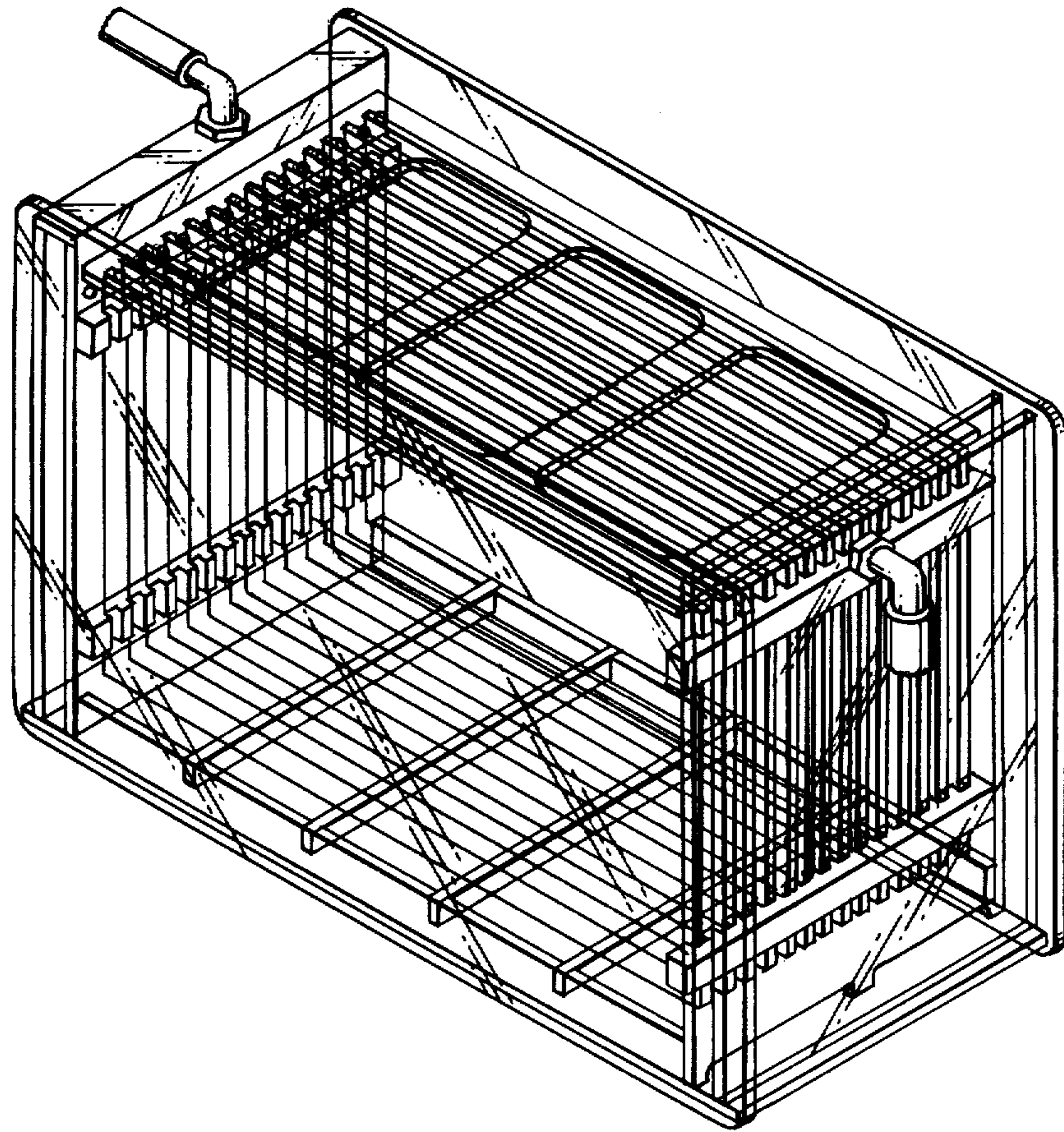


FIG. 1

FIG. 2

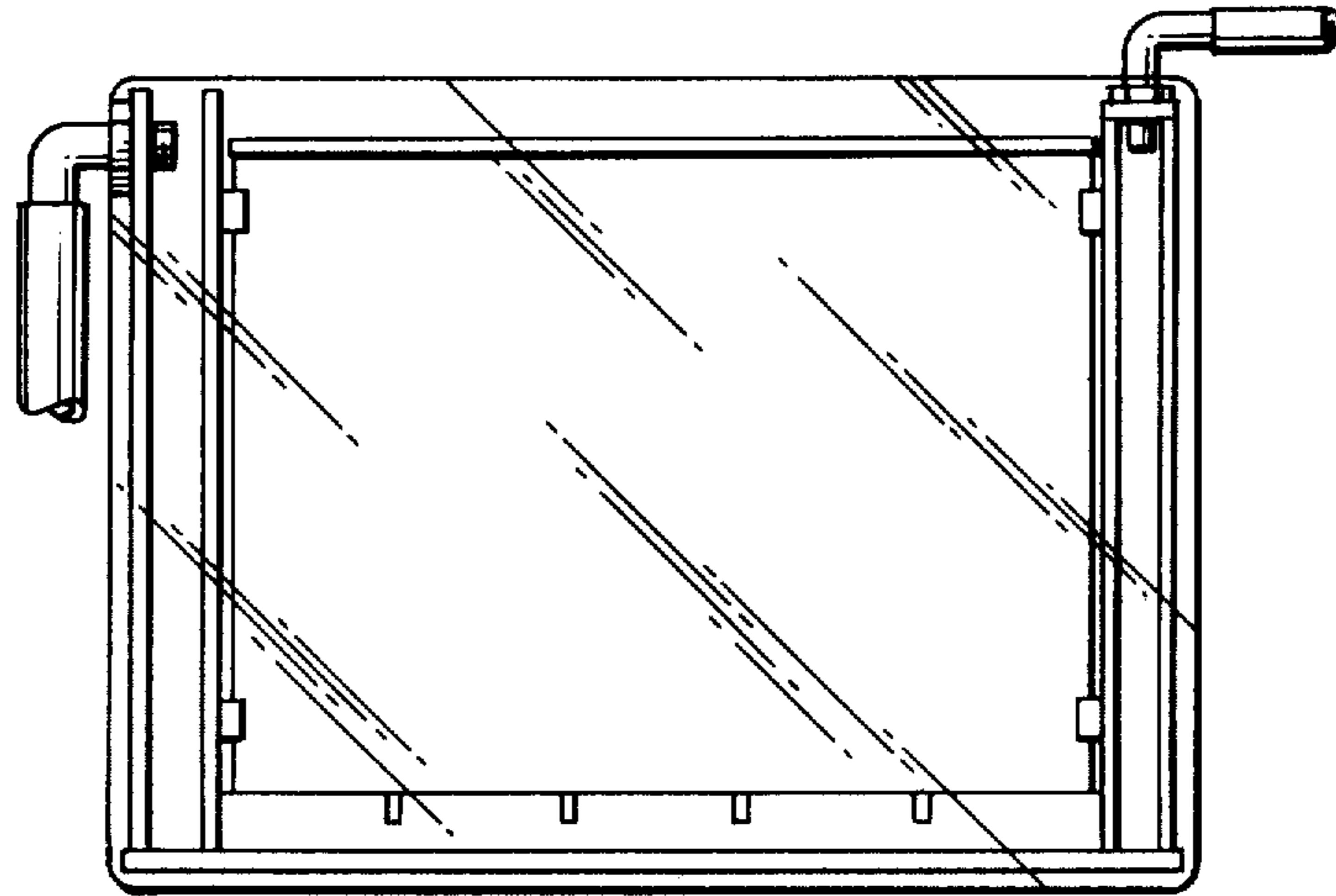


FIG. 3

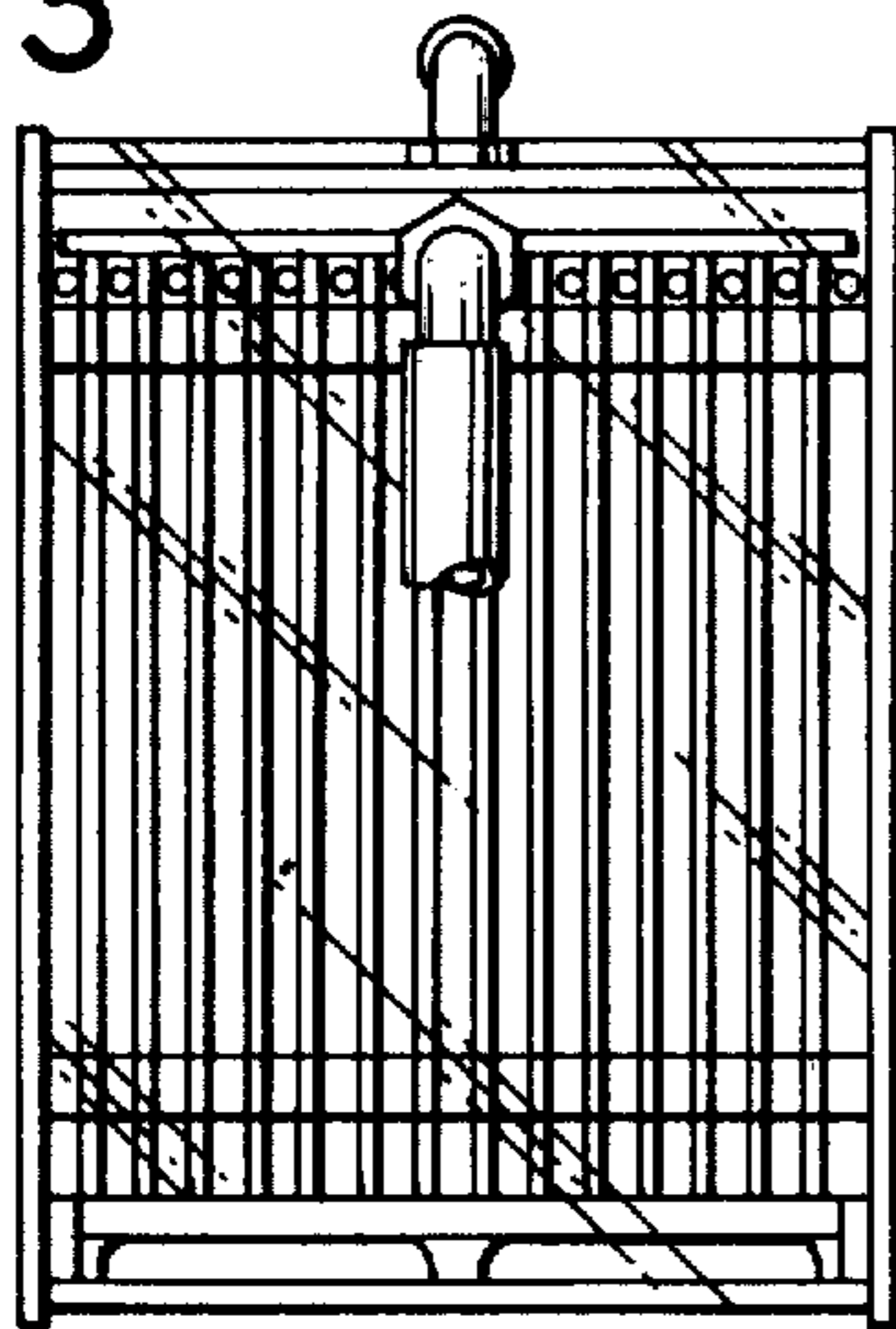


FIG. 4

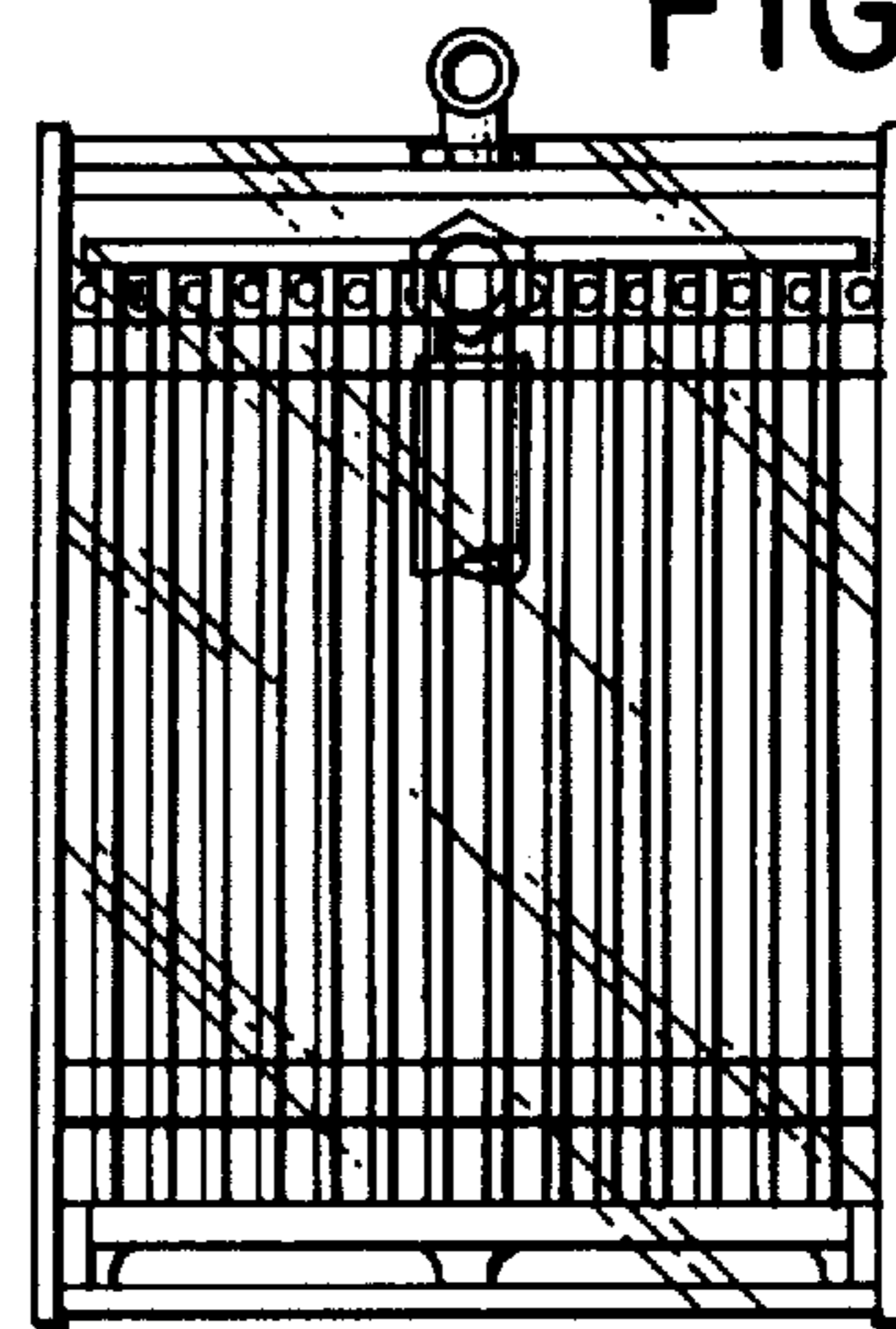


FIG. 5

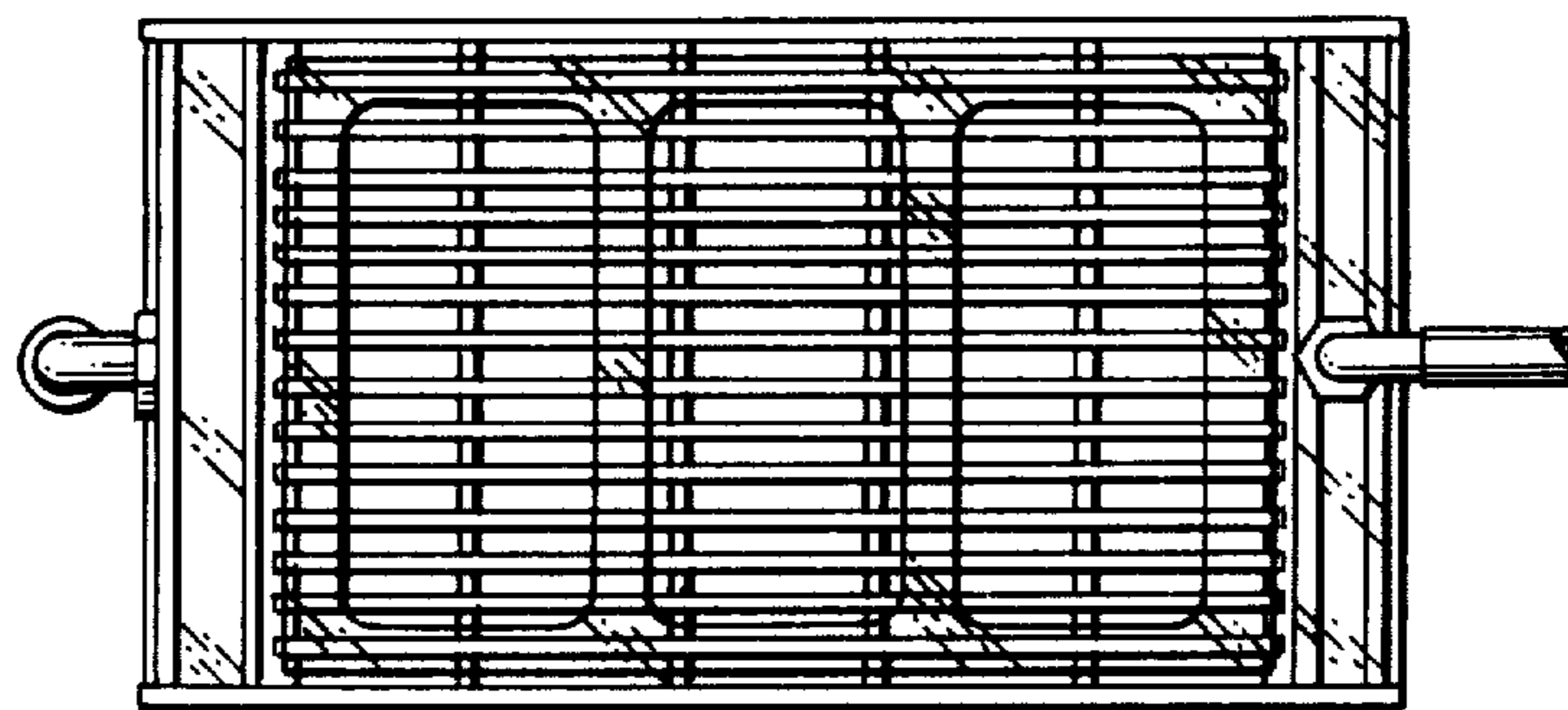


FIG. 6

