

[54] TARGET SLIDE PROJECTORS CONSOLE

[76] Inventors: Brain T. Brooksby, 156 Earlsbrook Rd., Redhill, Surrey; Harold J. Murray, 32 New Odiham Rd., Alton, Hampshire; Anthony Simpson, 65 South Hill, Godalming, Surrey; Stuart M. Peterkin, 30 Leewood Way, Effingham, Surrey, all of England

[\*\*] Term: 14 Years

[21] Appl. No.: 13,262

[22] Filed: Feb. 21, 1979

[30] Foreign Application Priority Data

Aug. 24, 1978 [GB] United Kingdom ..... 986059/78

[51] Int. Cl. .... D16-02

[52] U.S. Cl. .... D16/11; D16/12

[58] Field of Search ..... D16/11, 12, 14, 20, D16/21; 352/39, 53, 57, 58, 60-63, 68; 353/46, 48-51, 107, 117

[56] References Cited

U.S. PATENT DOCUMENTS

3,225,652 12/1965 Sauppe ..... 353/117  
3,554,639 1/1971 Robinson ..... 353/117  
3,838,525 10/1974 Harvey ..... 353/51

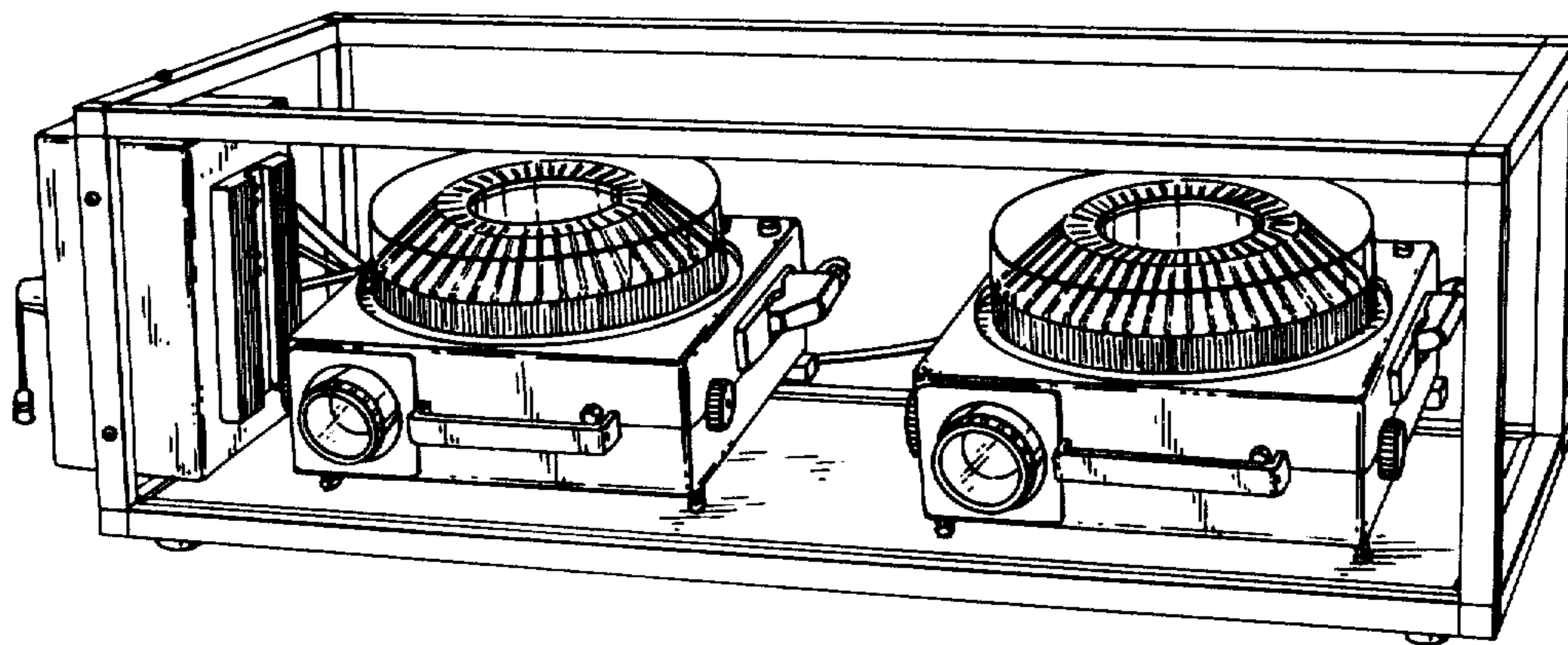
Primary Examiner—Peter M. Caun

[57] CLAIM

The ornamental design for a target slide projectors console, substantially as shown and described.

DESCRIPTION

FIG. 1 is a plan view from above of a target slide projectors console showing our new design; FIG. 2 is a rear elevational view thereof; FIG. 3 is a front perspective view thereof; FIG. 4 is a perspective view on one end thereof. FIG. 5 is a perspective view on the other end thereof.



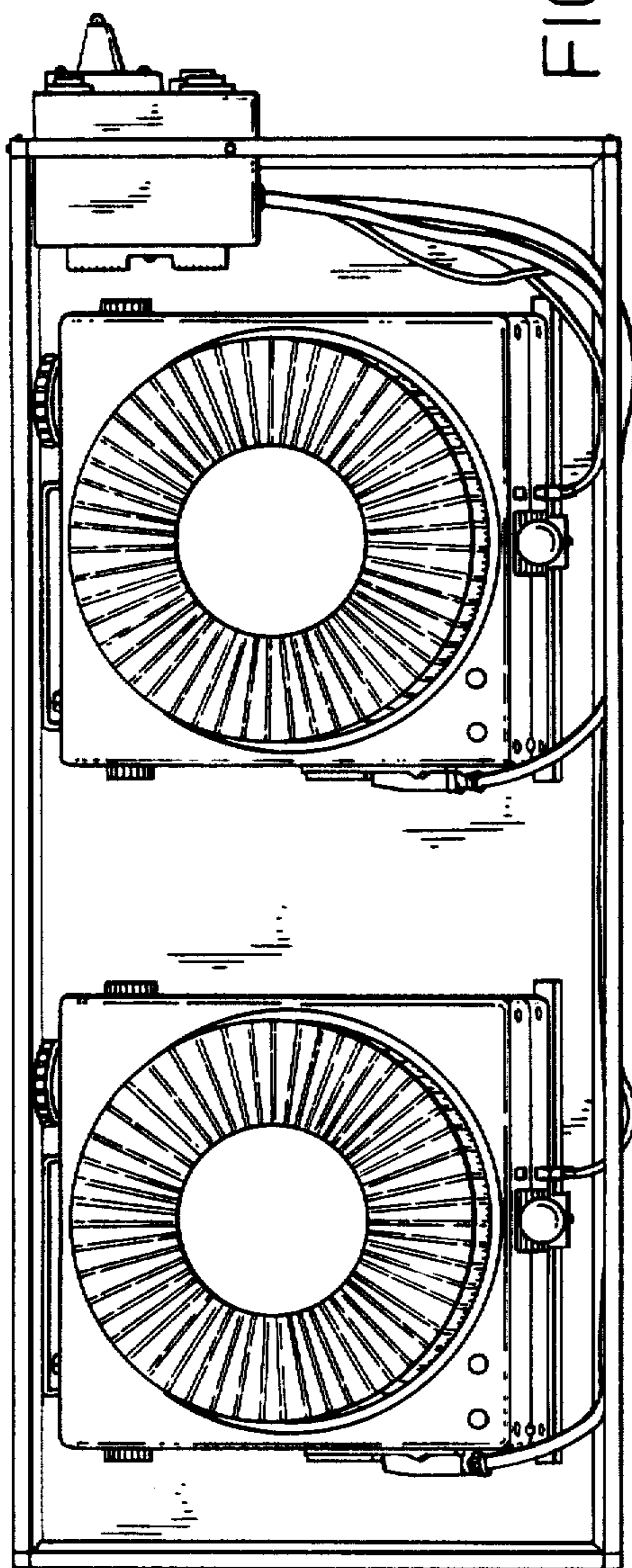


FIG. 1

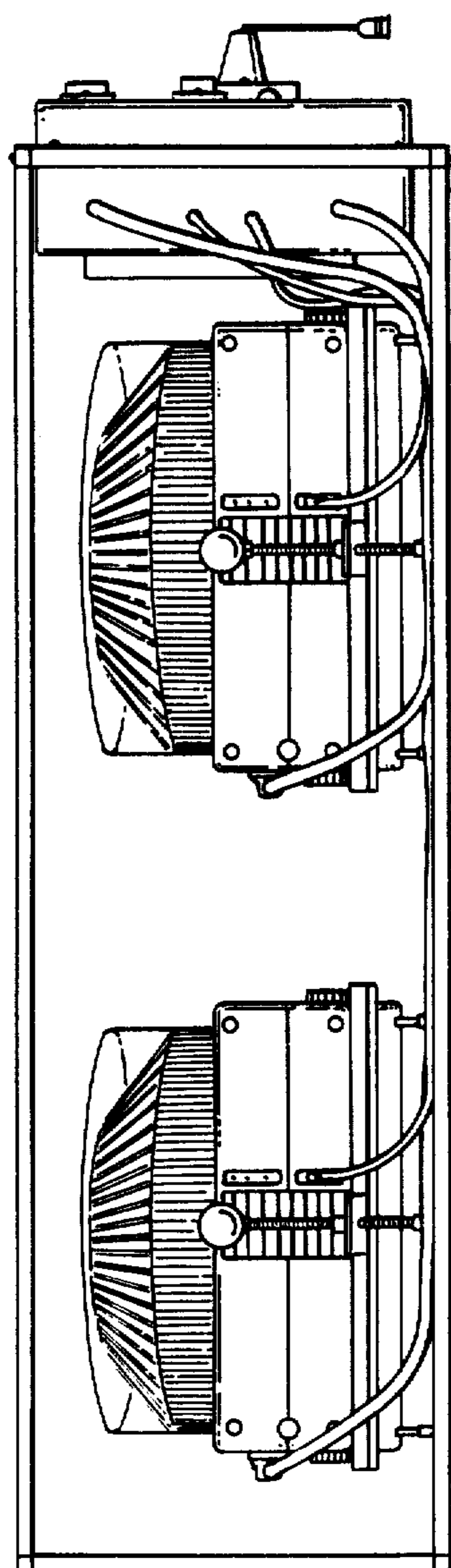


FIG. 2

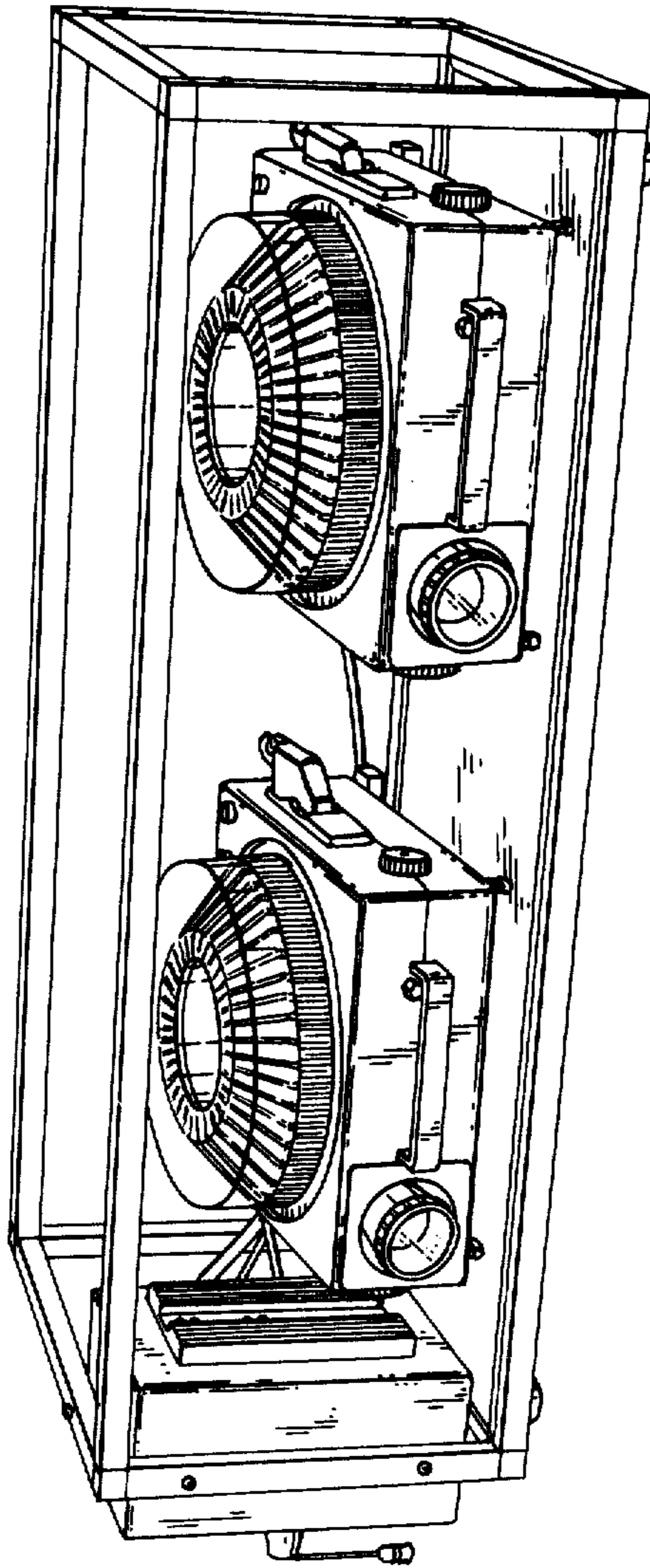


FIG. 3

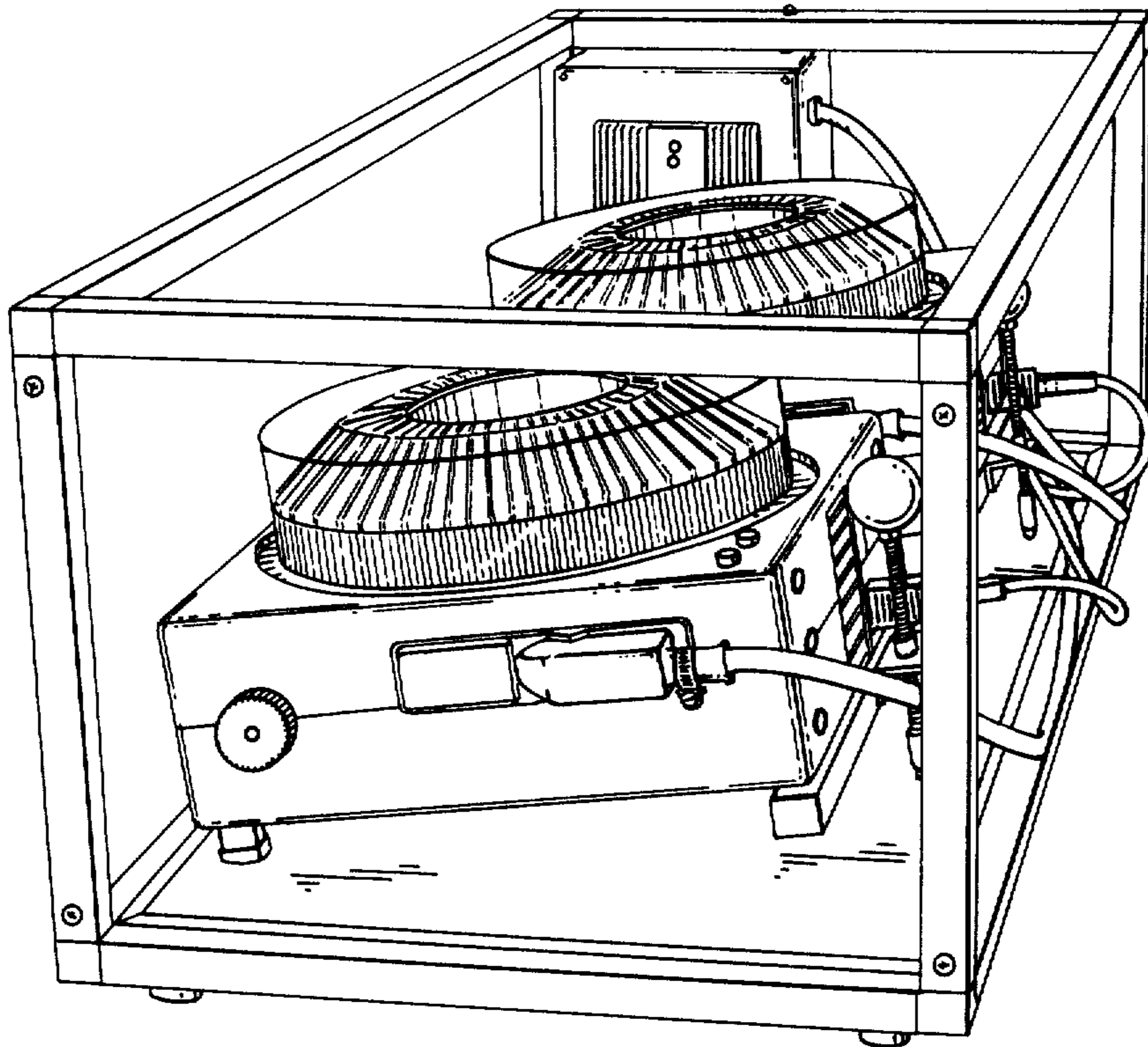


FIG. 4

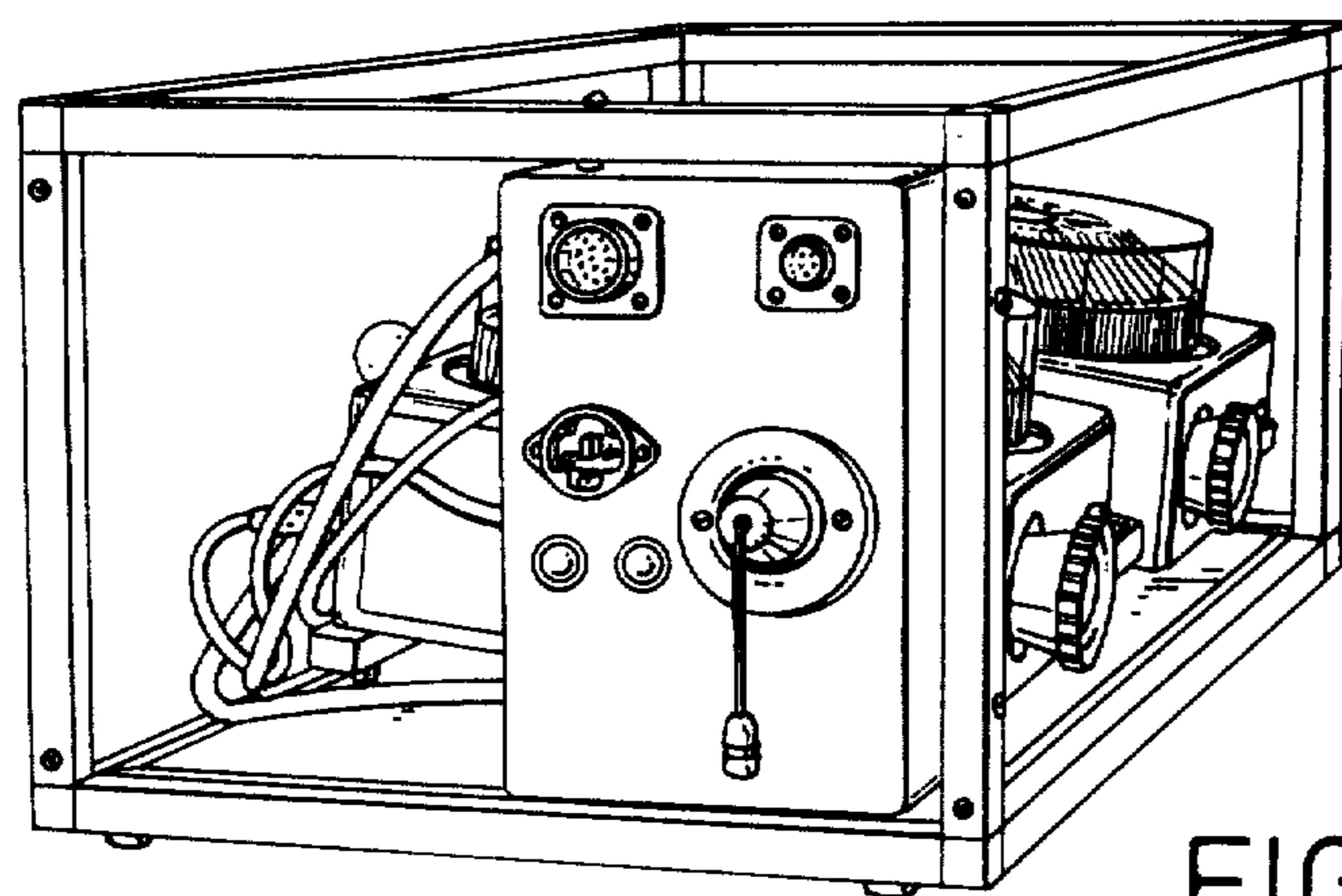


FIG. 5