

[54] SPINDLECASE ATTACHMENT FOR TAPPING MACHINES TO CHANGE THE ROTATION OF THE TOOL

[75] Inventor: Eiji Miyakawa, Tokyo, Japan

[73] Assignee: Miyakawa Industry Company, Limited, Seki, Japan

[\*\*] Term: 14 Years

[21] Appl. No.: 47,856

[22] Filed: Jun. 12, 1979

[30] Foreign Application Priority Data

Dec. 15, 1978 [JP] Japan ..... 53-53014

[51] Int. Cl. .... D15-09

[52] U.S. Cl. .... D15/140; D15/138

[58] Field of Search ..... D15/127, 130, 138, 140; 408/199, 222, 238, 239 R, 239 A; 29/39-41, 57, 64; 279/1 A, 1 B; 10/136 R; 408/9, 129, 134, 139, 141, 142

[56] References Cited

U.S. PATENT DOCUMENTS

1,401,594	12/1921	Drowns .....	408/139
2,368,359	1/1945	Hellstrom .....	408/9
3,466,681	9/1969	Benjamin et al. ....	408/139
3,717,892	2/1973	Johnson .....	408/142
4,014,421	3/1977	Johnson .....	408/139

Primary Examiner—B. J. Bullock  
Attorney, Agent, or Firm—Jordan and Hamburg

[57] CLAIM

The ornamental design for a spindlecase attachment for tapping machines to change the rotation of the tool, substantially as shown.

DESCRIPTION

FIG. 1 is a top plan view of a spindlecase attachment for tapping machines to change the rotation of the tool showing my new design;

FIG. 2 is a bottom plan view thereof;

FIG. 3 is a front elevational view thereof;

FIG. 4 is a side elevational view taken from the left of FIG. 3;

FIG. 5 is a rear elevational view thereof;

FIG. 6 is a side elevational view taken from the right of FIG. 3.

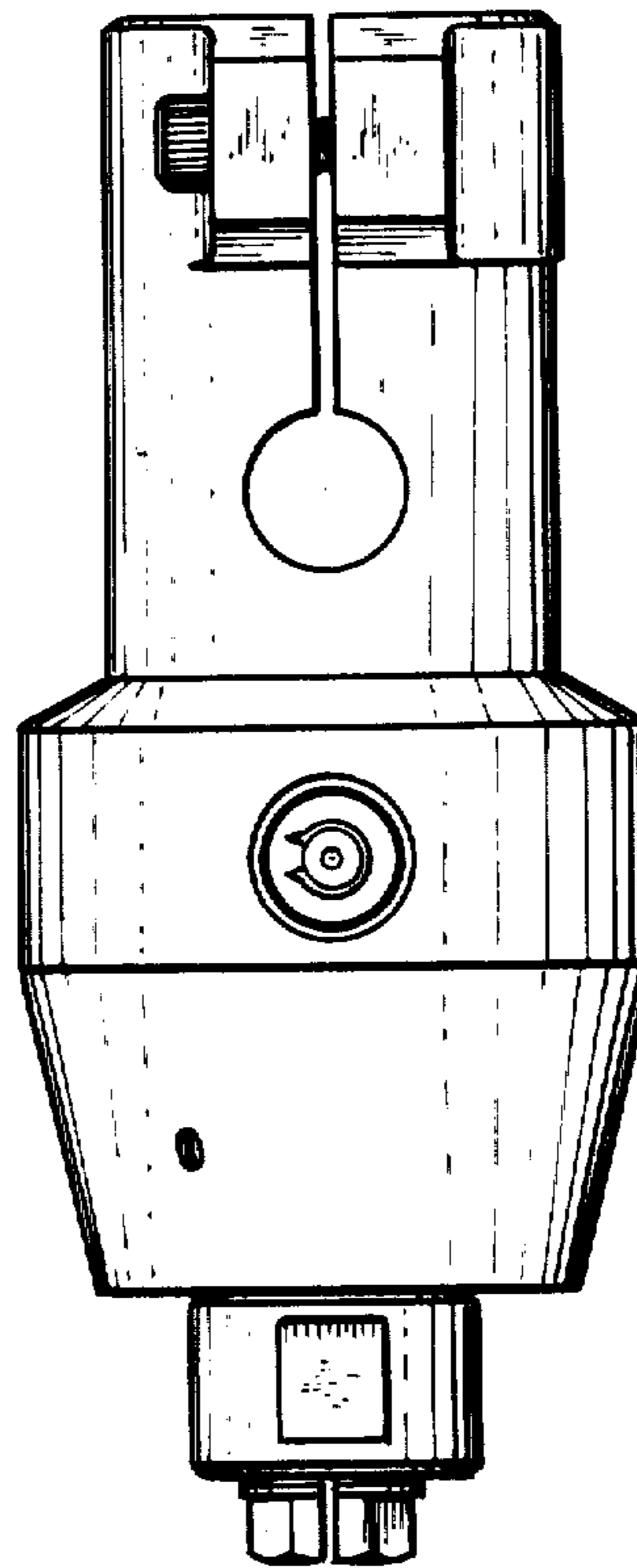
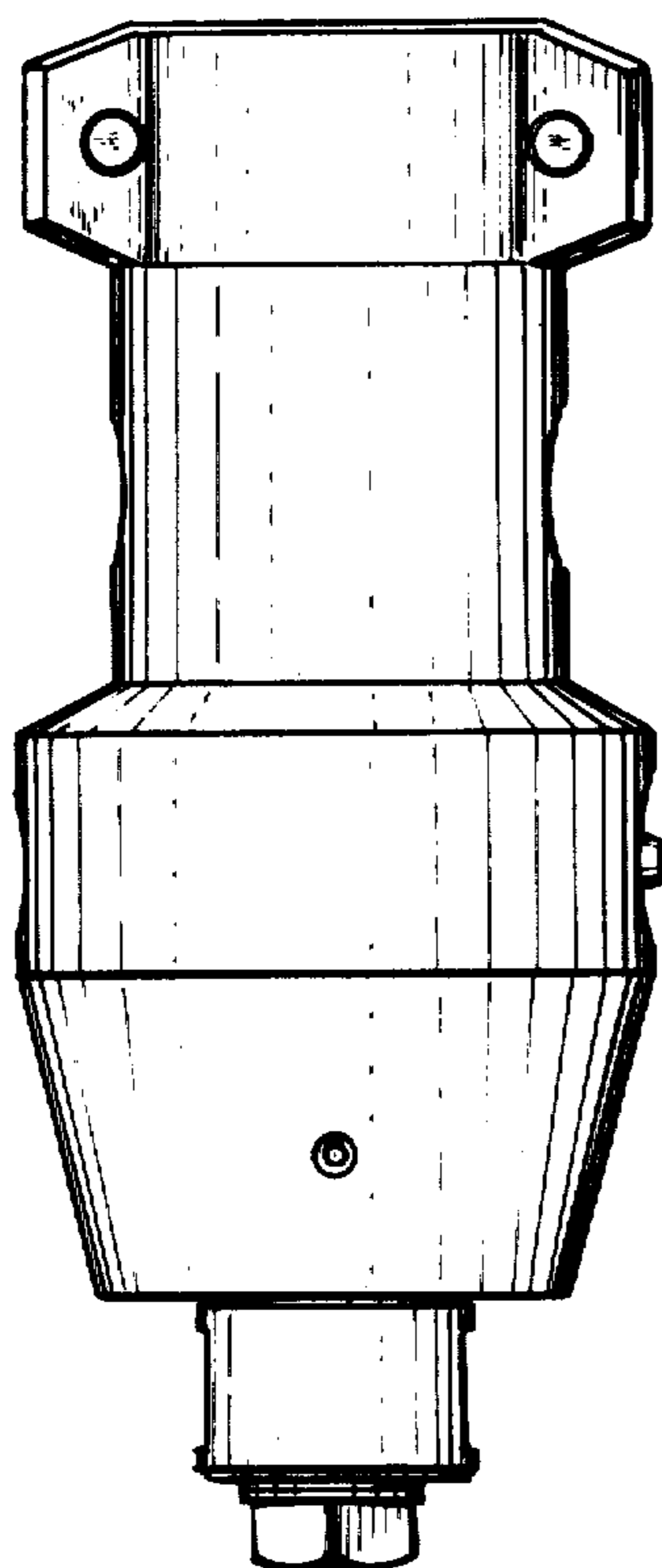


FIG. 1.

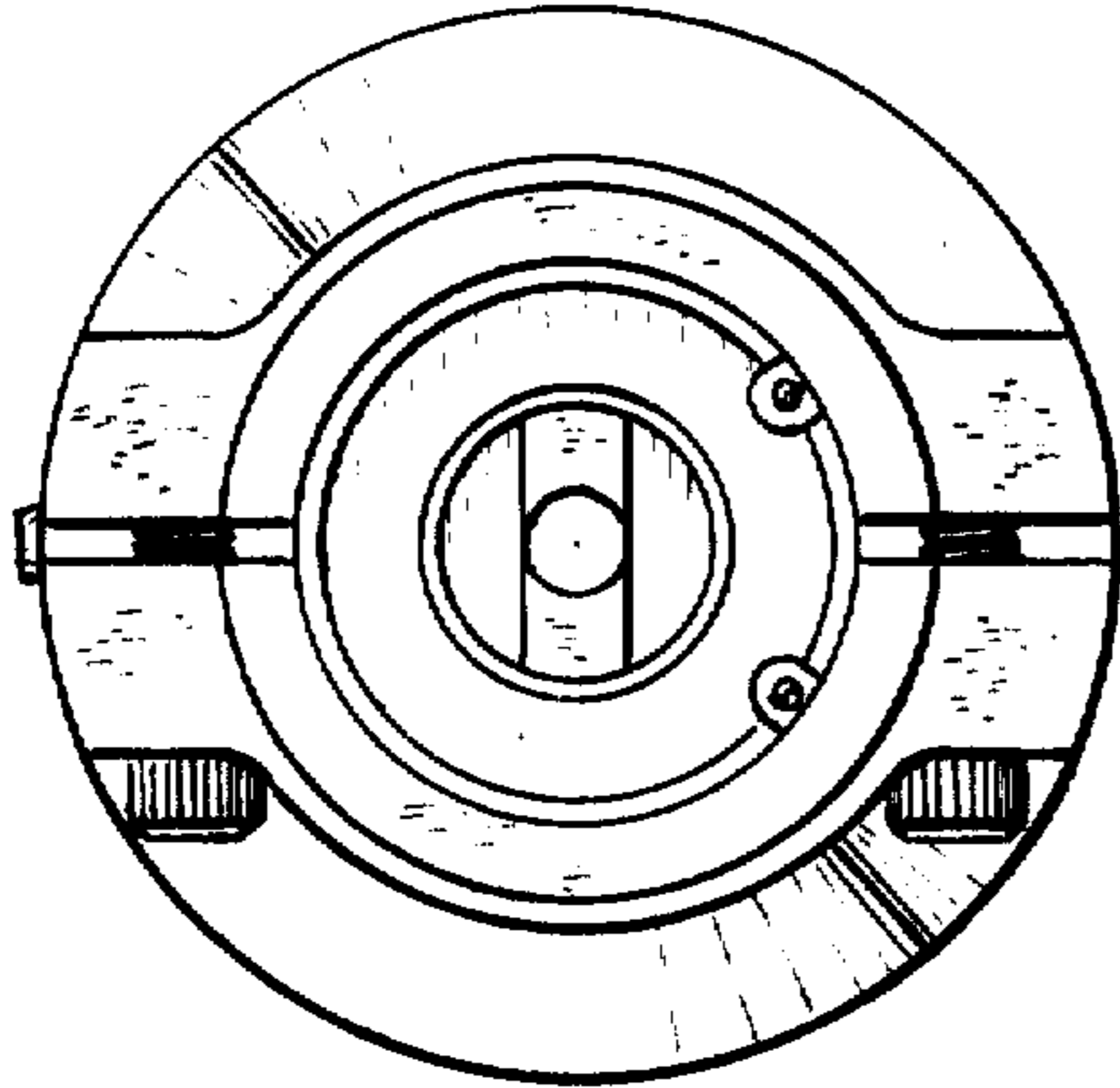


FIG. 2.

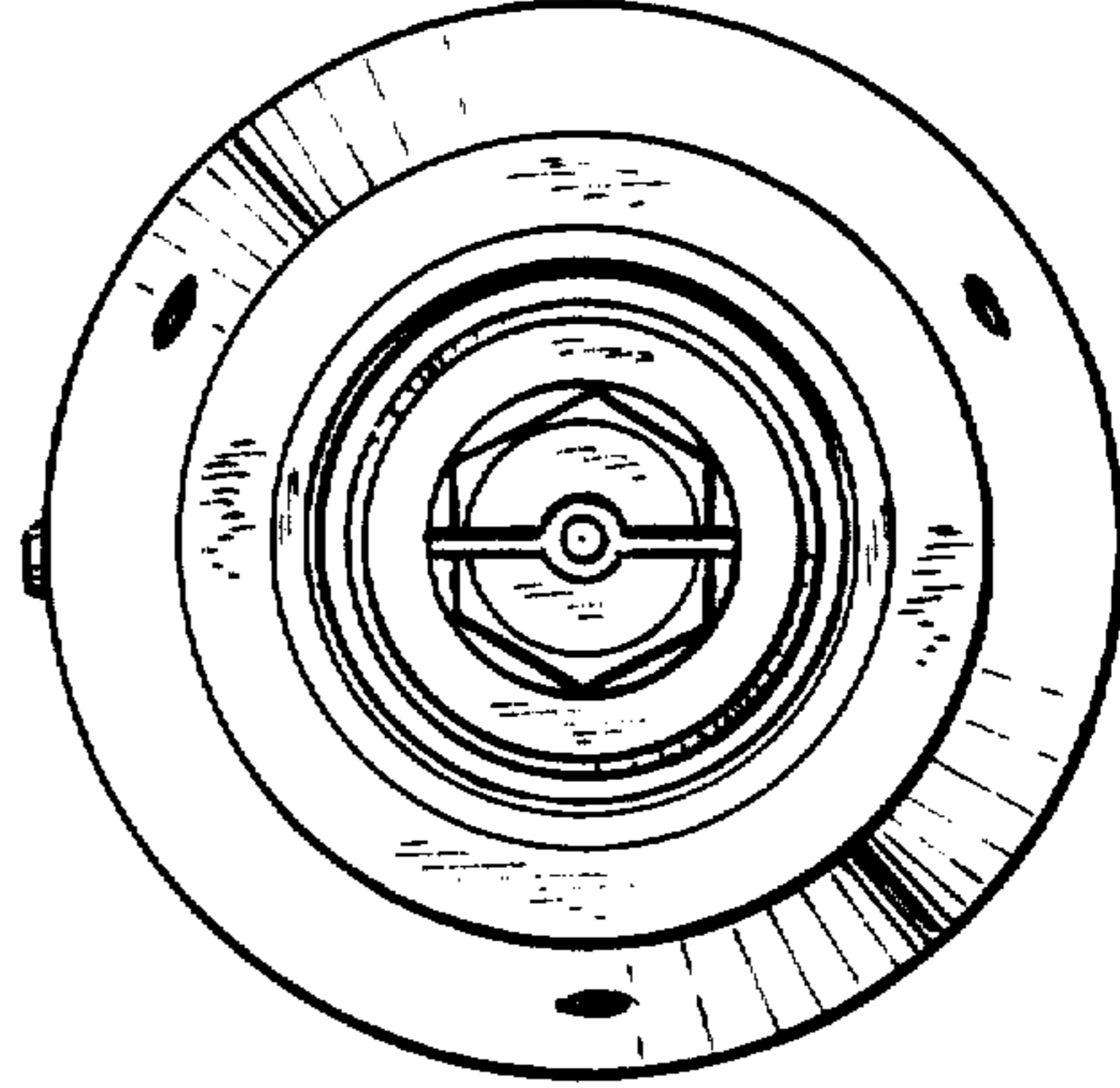


FIG. 3.

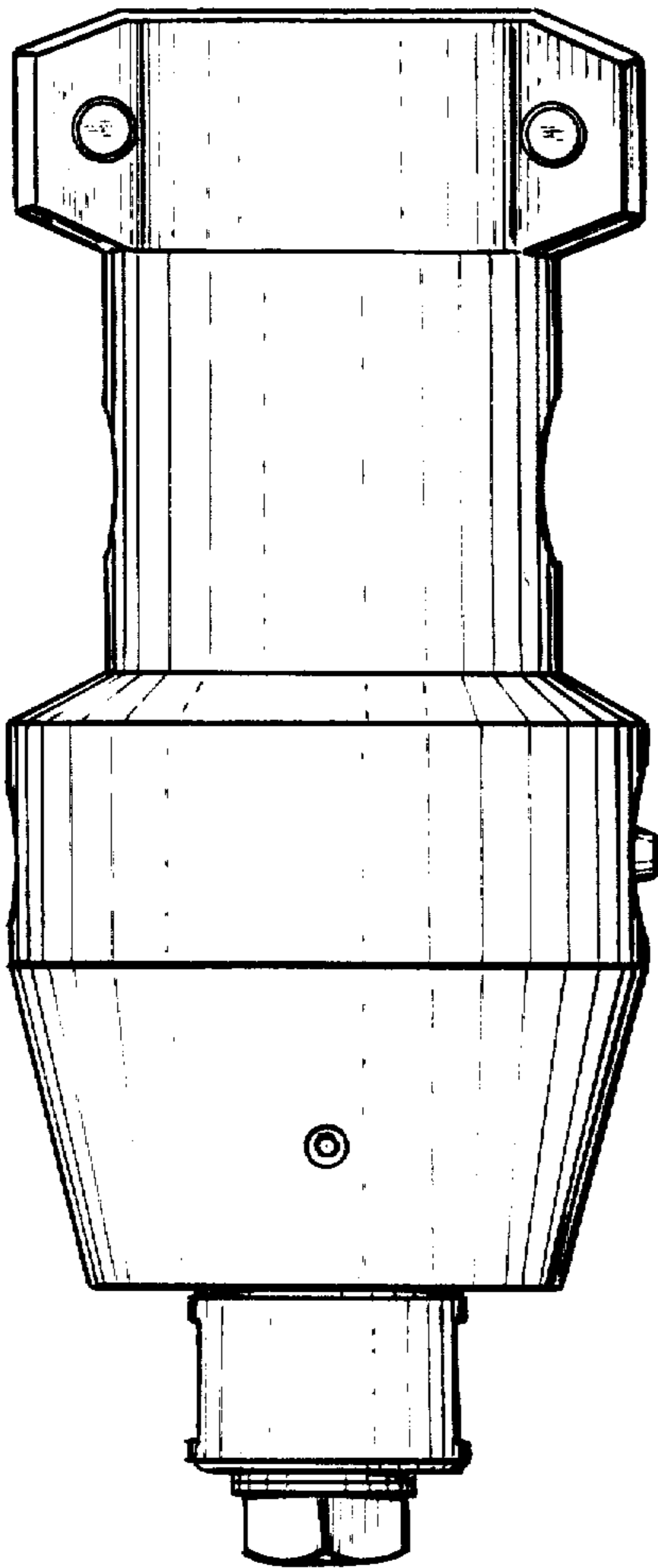


FIG. 4.

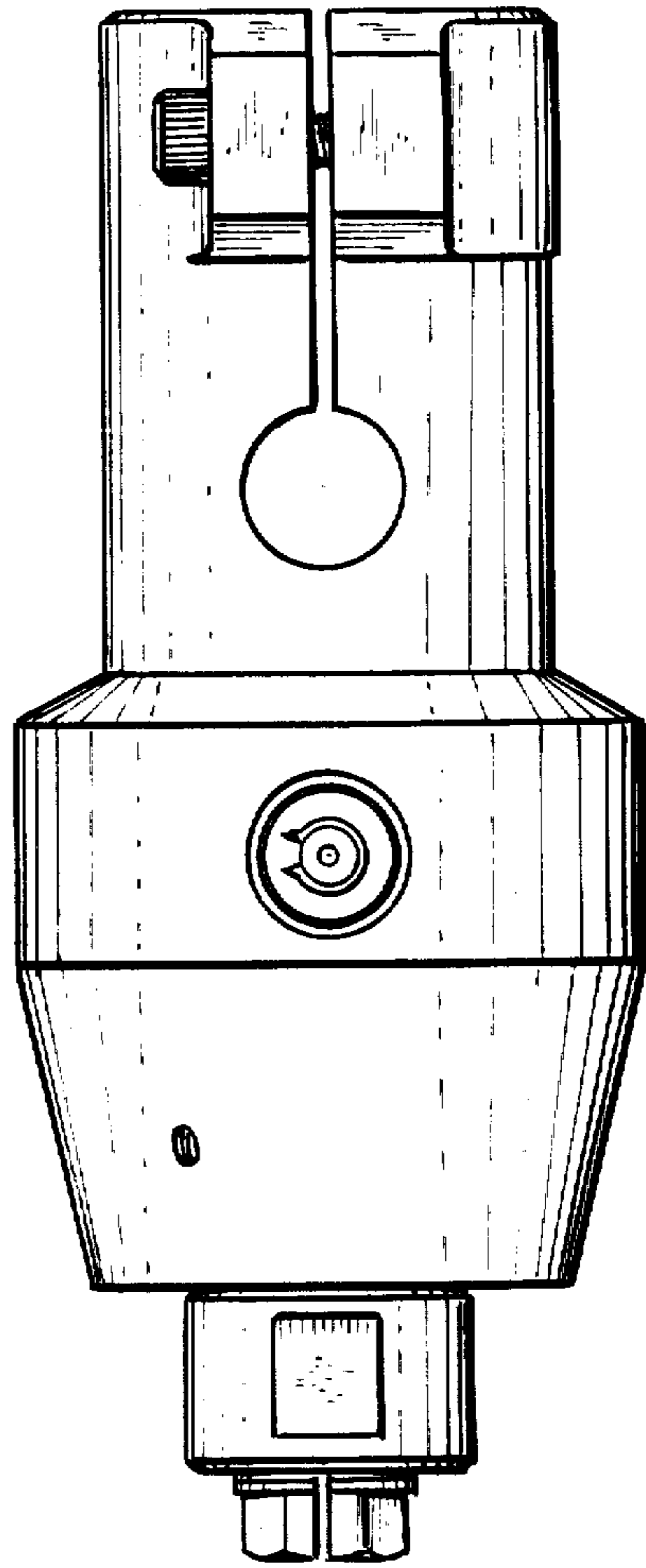


FIG. 5.

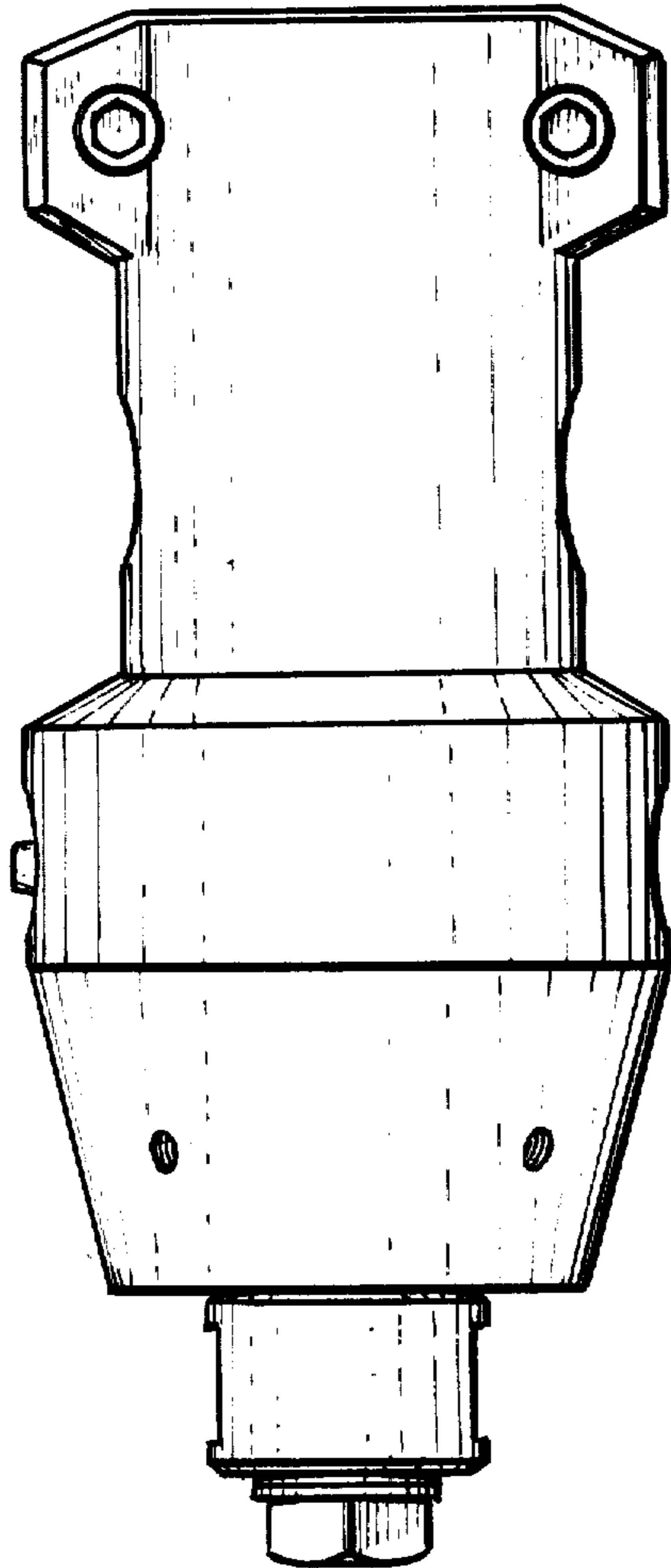


FIG. 6.

