

[54] BEVERAGE DISPENSER

[75] Inventor: William A. Harvill, Stone Mountain, Ga.

[73] Assignees: The Coca-Cola Company, Atlanta, Ga.; The Cornelius Company, Anoka, Minn.

[**] Term: 14 Years

[21] Appl. No.: 116,503

[22] Filed: Jan. 29, 1980

[51] Int. Cl. D15-08

[52] U.S. Cl. D15/116

[58] Field of Search D15/92, 99, 111-121; 222/106, 129.1-129.4, 132

[56] References Cited

U.S. PATENT DOCUMENTS

D. 206,519 12/1966 Wolfe D15/116

D. 256,020 7/1980 Swanson D15/115

OTHER PUBLICATIONS

Institutions-Volume Feeding, vol. 82, May 1, 1978, p. 96, Juice Machine in center of page.

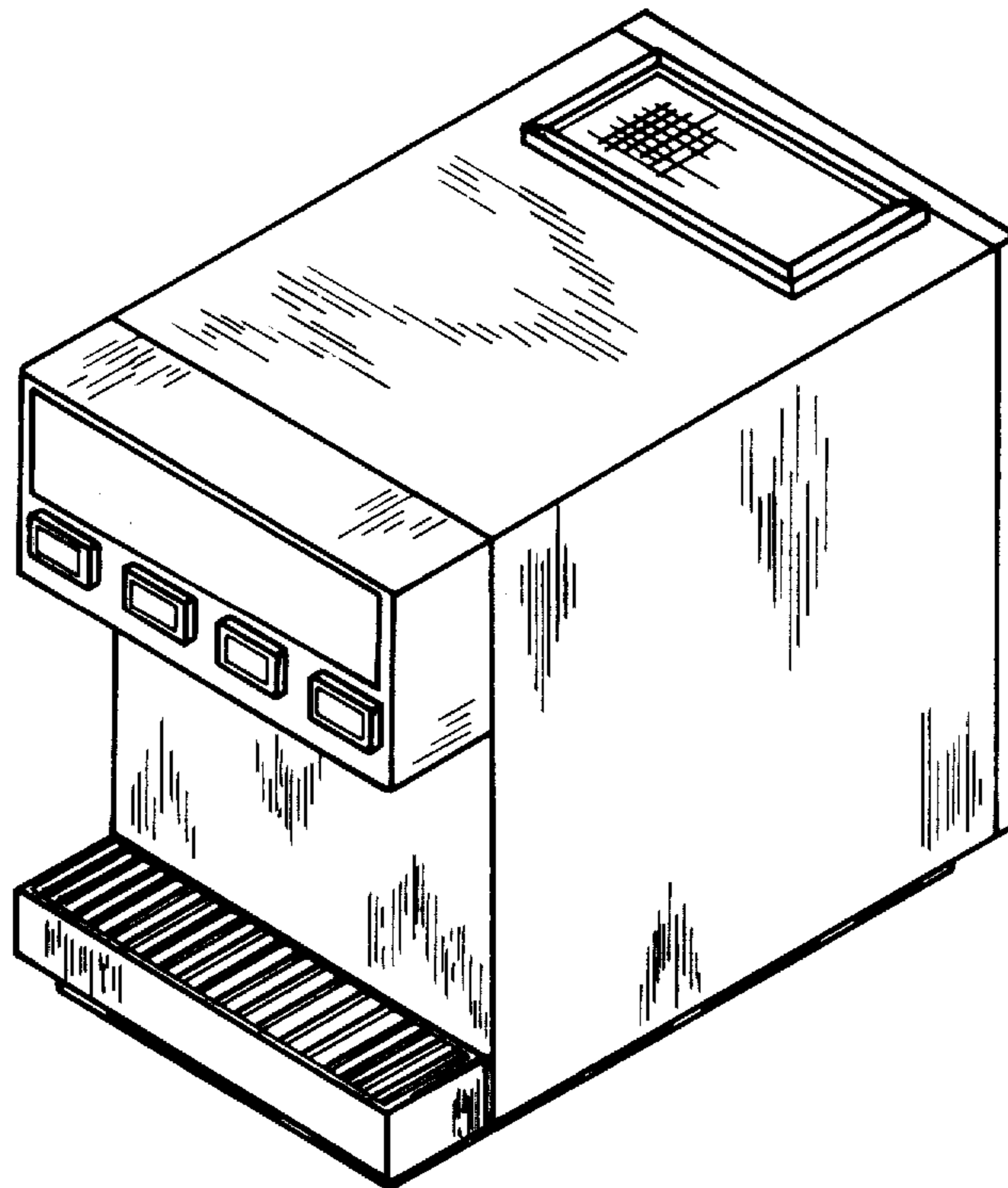
Primary Examiner-Leland A. Sebastian
Attorney, Agent, or Firm-Henry C. Kovar

[57] CLAIM

The ornamental design for a beverage dispenser, substantially as shown and described.

DESCRIPTION

FIG. 1 is a front perspective view of a beverage dispenser showing my new design;
FIG. 2 is a front elevational view thereof;
FIG. 3 is a side view thereof, the other side being the mirror image of the side shown;
FIG. 4 is a rear elevational view thereof; and
FIG. 5 is a top plan view thereof, the bottom is planar and unornamental.



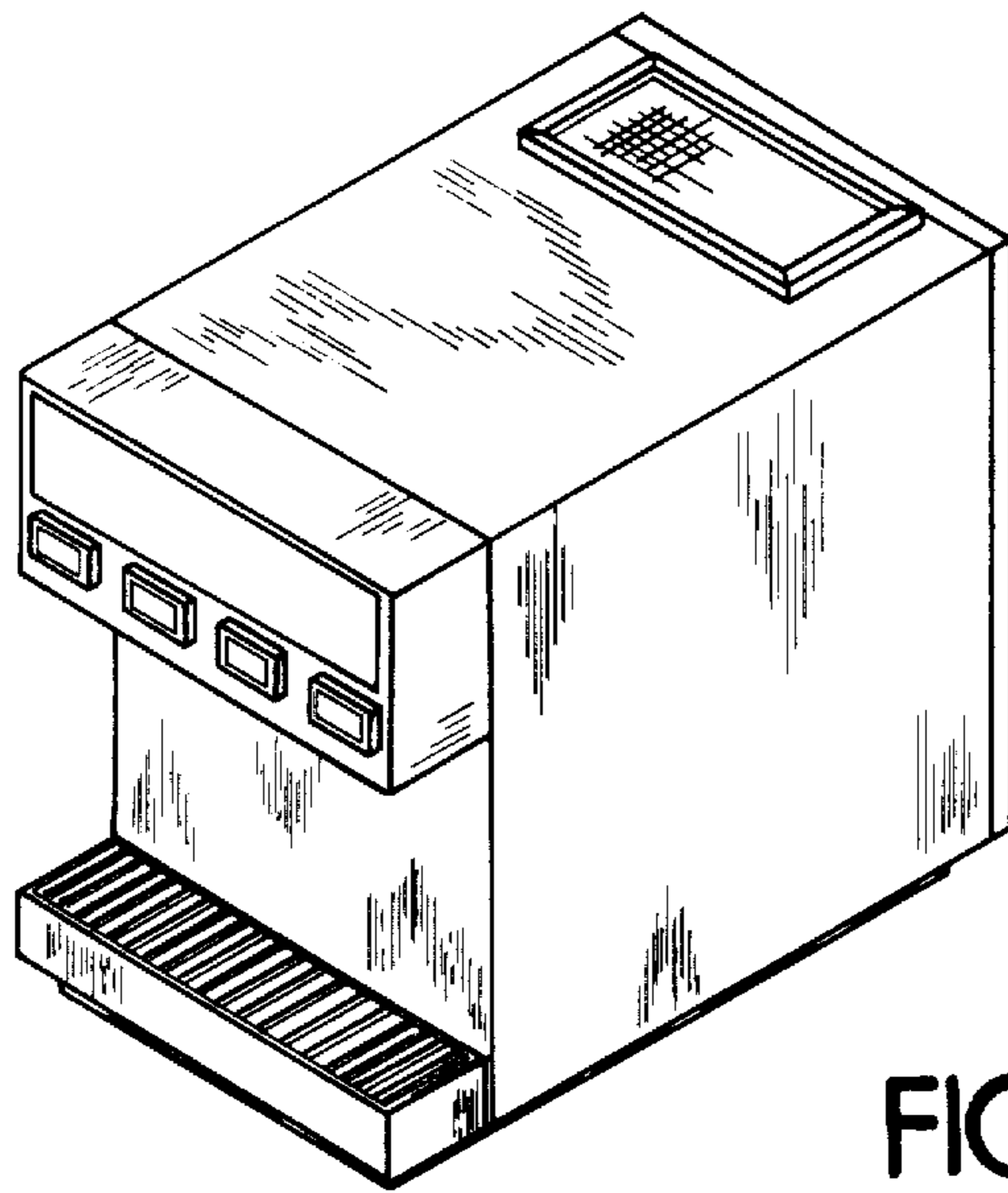


FIG. 1

FIG. 2

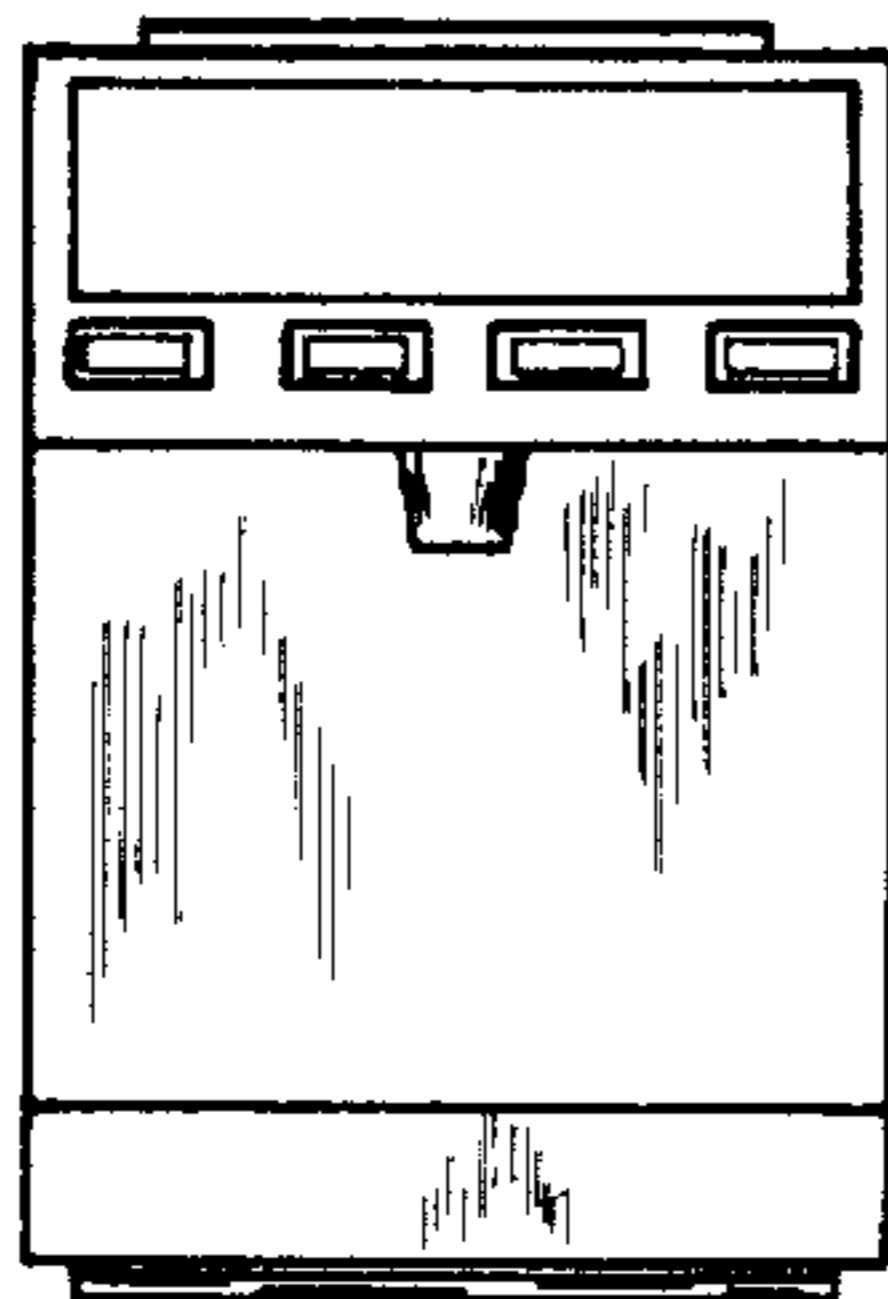


FIG. 3

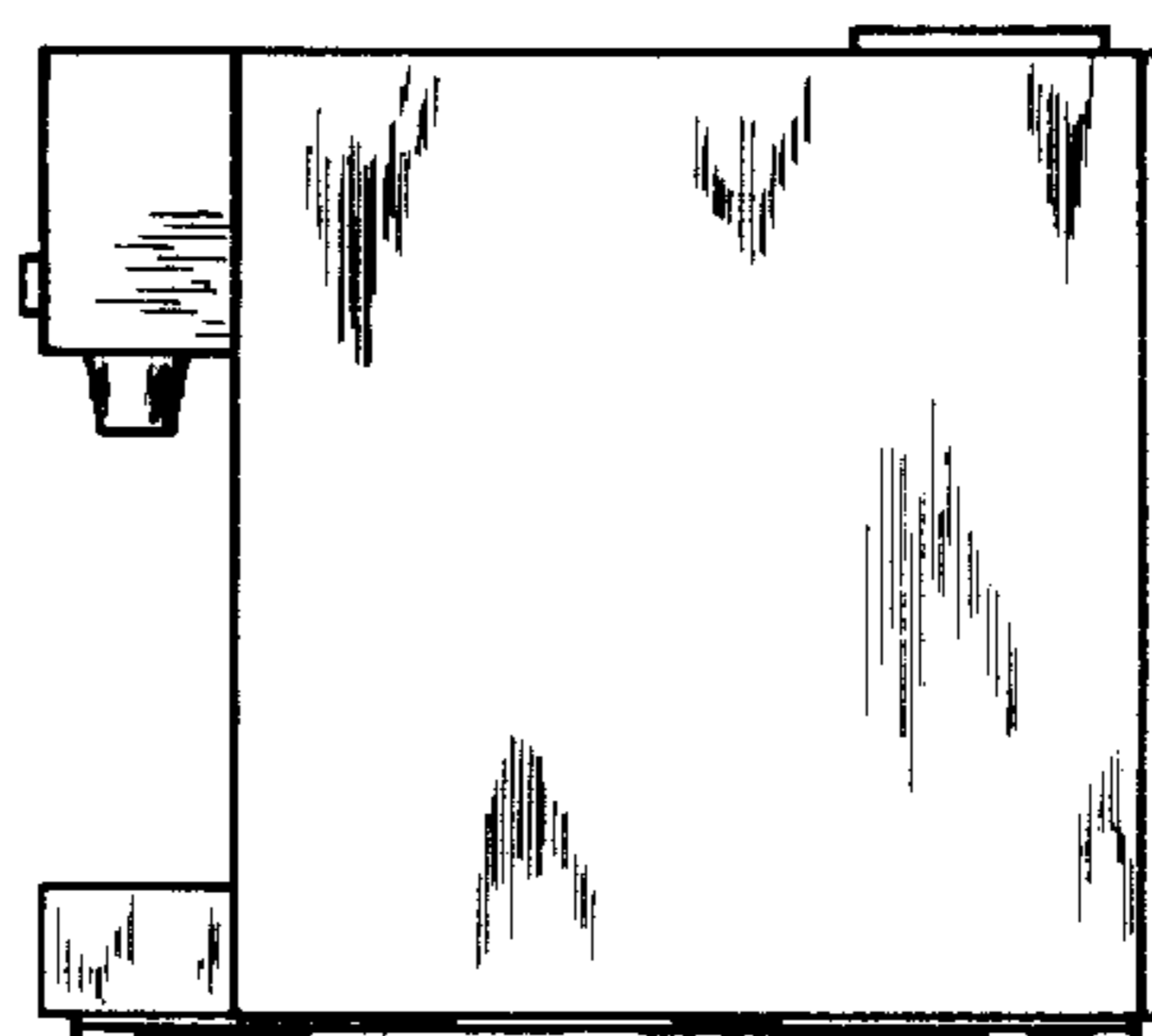


FIG. 4

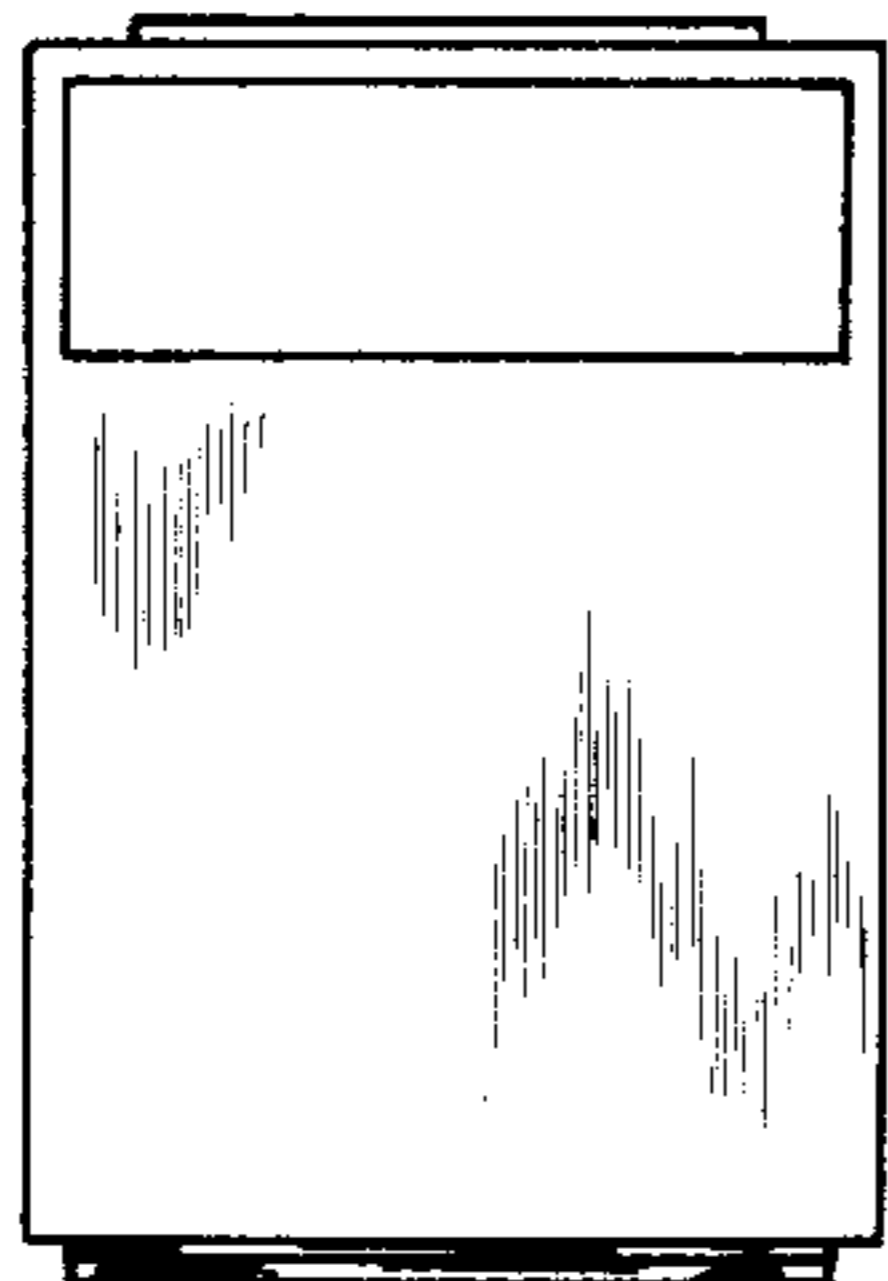


FIG. 5

