

[54] RECORD TURNTABLE

[75] Inventor: Raymond Vachus, Yzeure, France

[73] Assignee: Thomson-Brandt, Paris, France

[*] Notice: The portion of the term of this patent subsequent to Sep. 15, 1995, has been disclaimed.

[**] Term: 14 Years

[21] Appl. No.: 44,890

[22] Filed: Jun. 4, 1979

[30] Foreign Application Priority Data

Feb. 5, 1979 [FR] France 77 277

[51] Int. Cl. D14-01

[52] U.S. Cl. D14/25; D14/17

[58] Field of Search D14/1, 14, 17, 18, 20, D14/25, 27

[56] References Cited

U.S. PATENT DOCUMENTS

D. 177,075 3/1956 Staar D14/17
D. 231,798 6/1974 Takahashi D14/17

OTHER PUBLICATIONS

'76 "Sound Gallery Audio Buyer's Guide", Winter '76 issue, p. 19, Dual Turntable.

Best Products '77 Buyer's Book #120E, p. 320J, item "G" Garrard Model 990B Turntable.

Primary Examiner—Jane E. Corrigan

Attorney, Agent, or Firm—Edwin E. Greigg

[57] CLAIM

The ornamental design for a record turntable, as shown and described.

DESCRIPTION

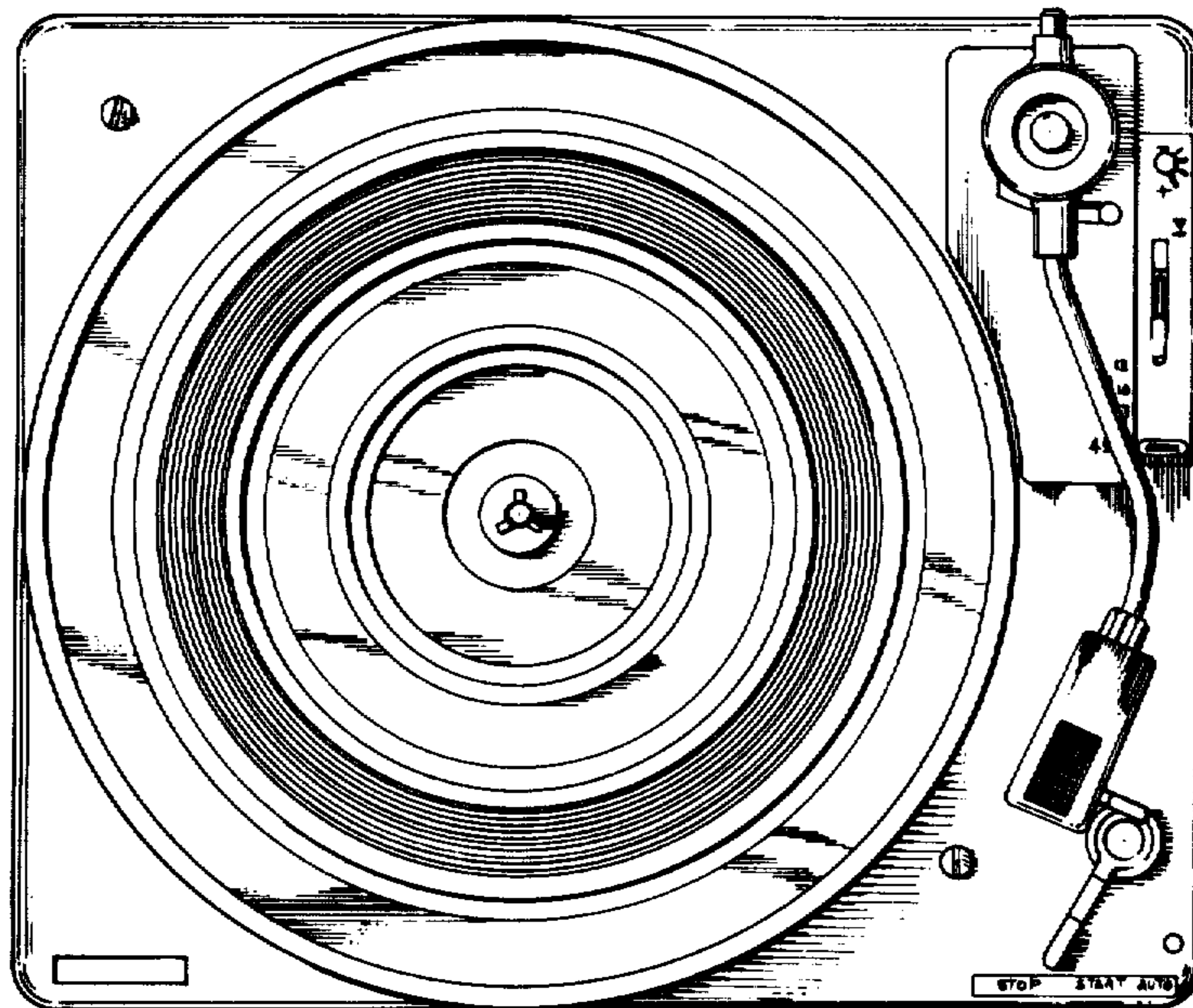
FIG. 1 is a top plan view of a record turntable showing my new design;

FIG. 2 is a front elevational view;

FIG. 3 is a left side elevational view;

FIG. 4 is a rear elevational view; and

FIG. 5 is a right side elevational view, with structure located on the right side of the turntable, which structure appears in FIG. 3 (1) between the cartridge and the record support surface and (2) between the cylindrical shaft of the tone arm and the record support surface, omitted for convenience of illustration.



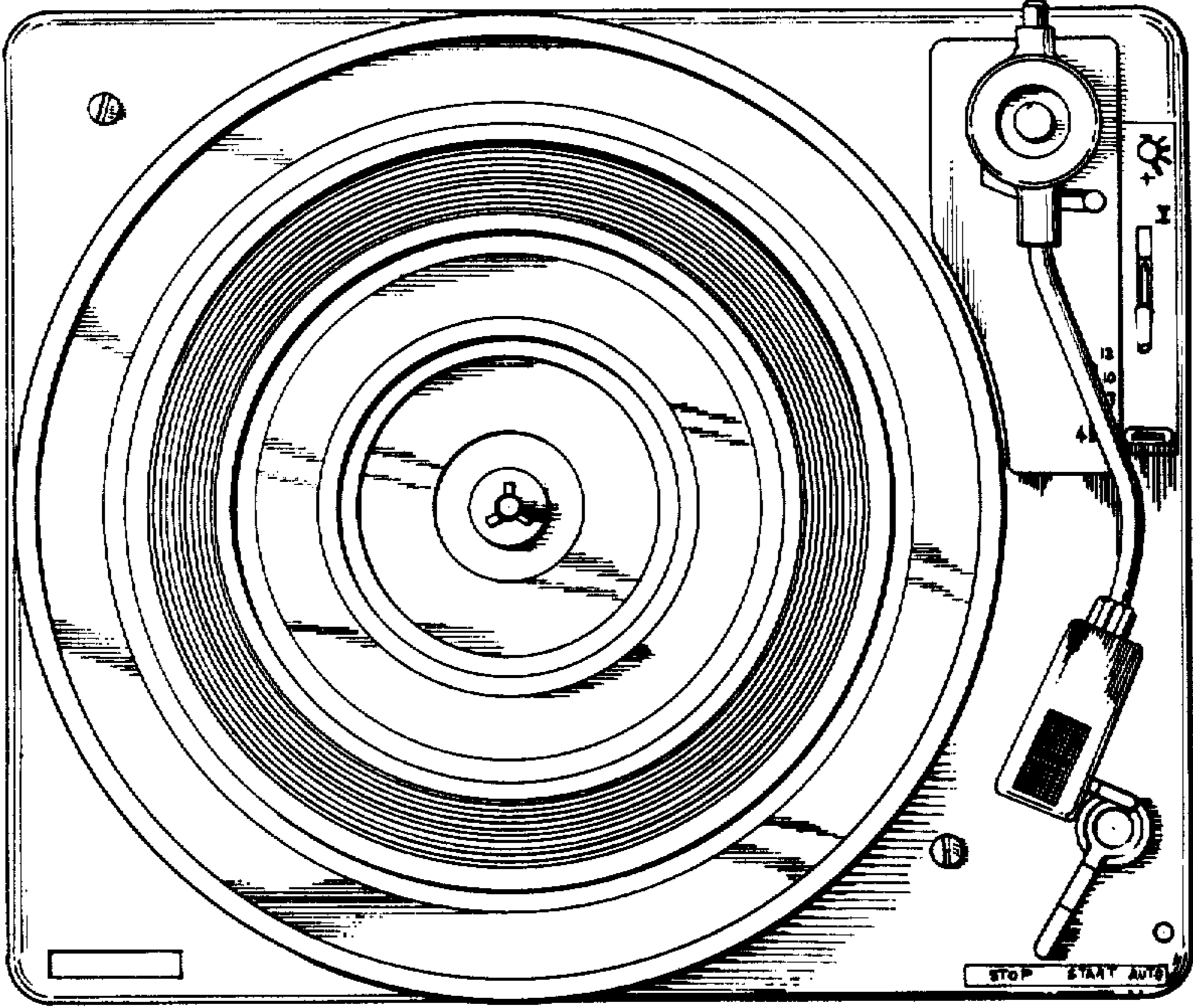


FIG. 1

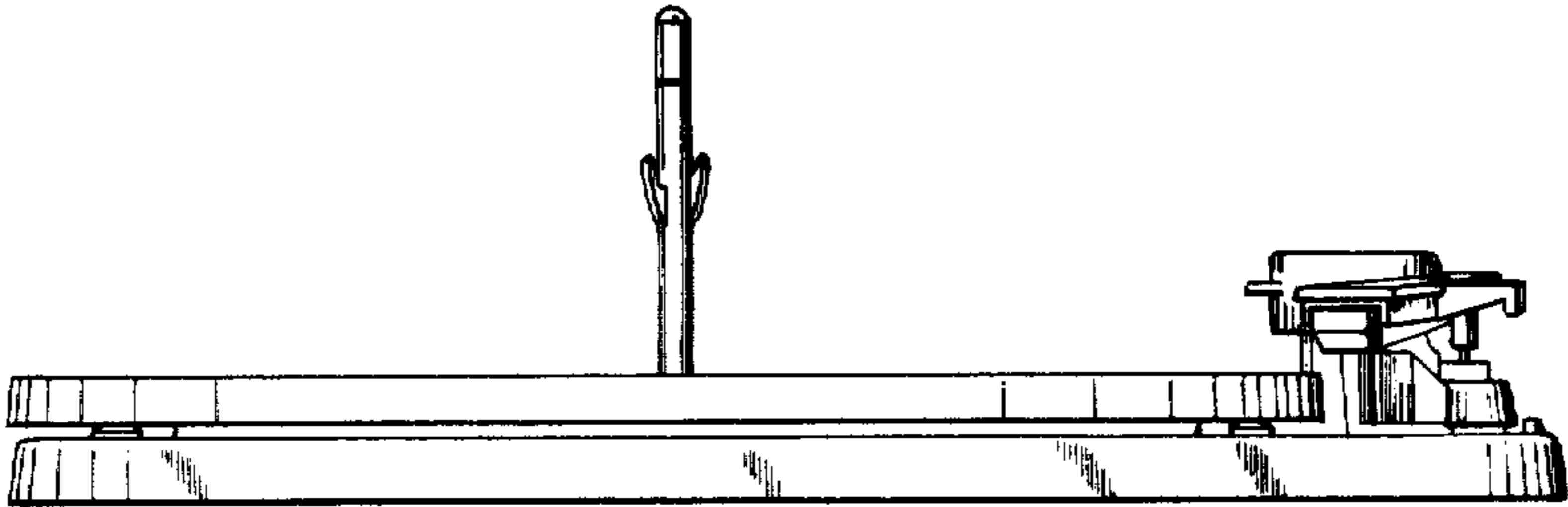


FIG. 2

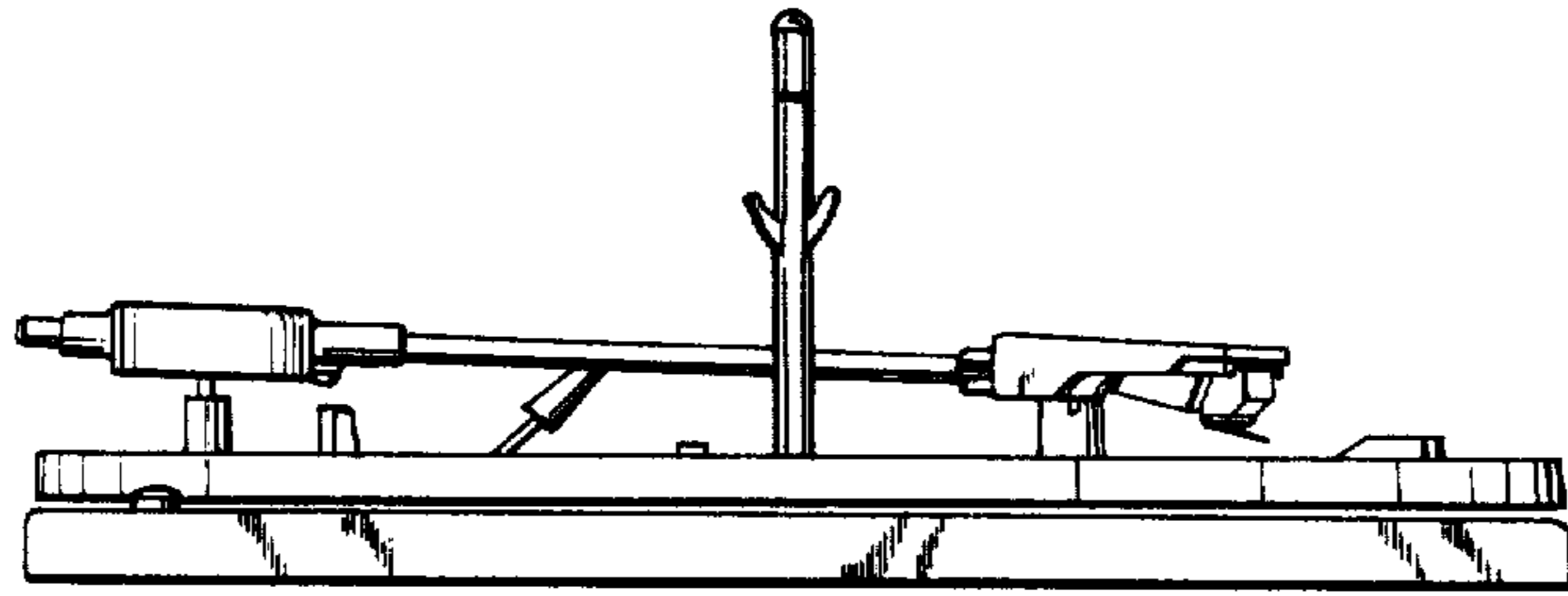


FIG. 3

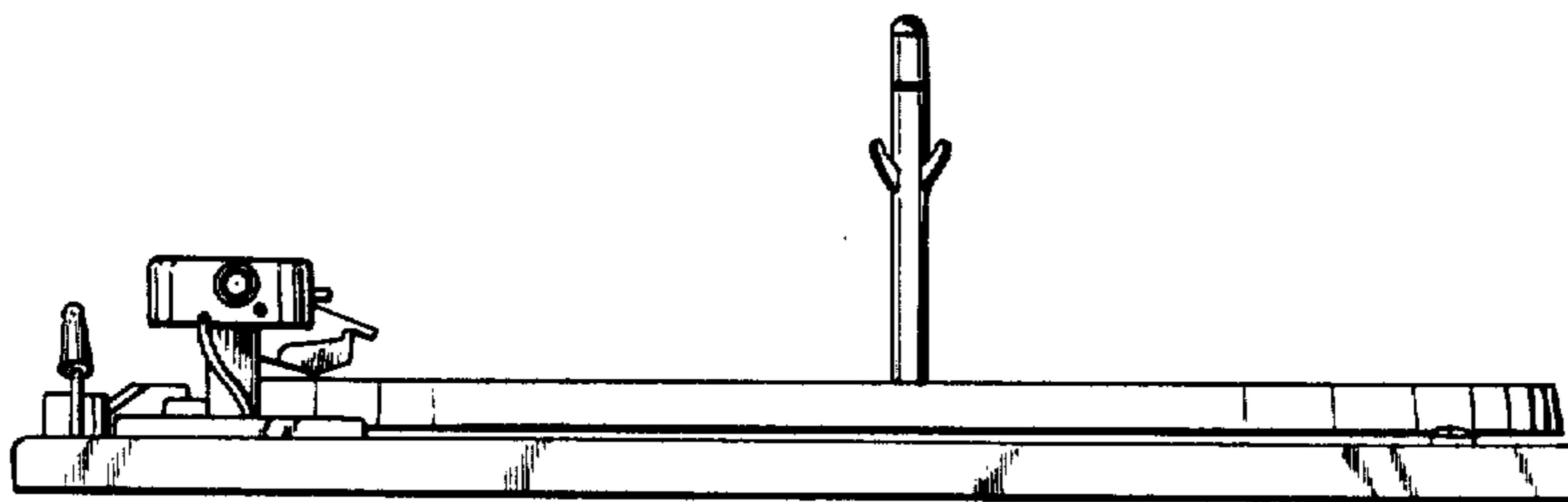


FIG. 4

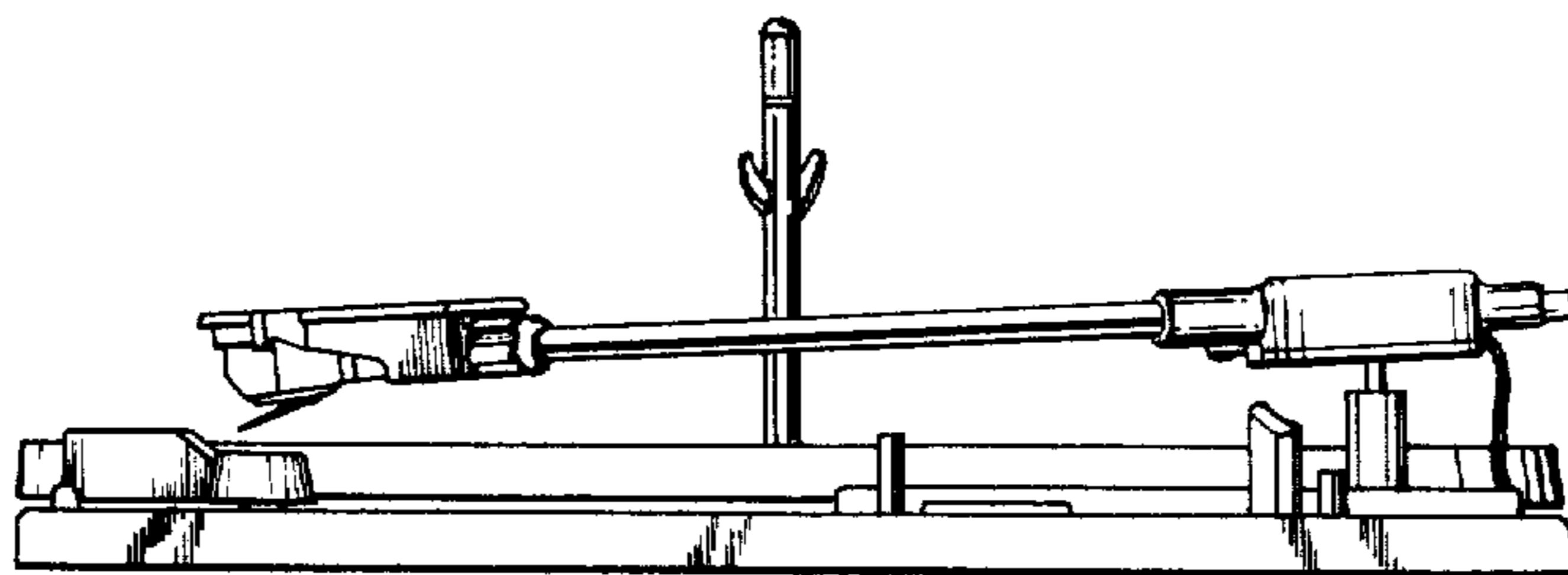


FIG. 5