

[54] CONSTRUCTION TROLLEY

[76] Inventor: James A. Tipton, 1243 Browns Ferry Rd., Chattanooga, Tenn. 37419

[\*\*] Term: 14 Years

[21] Appl. No.: 53,746

[22] Filed: Jul. 2, 1979

[51] Int. Cl. .... D12-13

[52] U.S. Cl. .... D12/1; 105/157 R; 104/62; D34/35

[58] Field of Search ..... D12/1, 56, 60; 105/86, 105/94, 95, 142, 157 R; 104/61, 62

[56] References Cited

U.S. PATENT DOCUMENTS

238,223	3/1881	Fogg .....	105/157 R
642,435	1/1900	Firnhaber .....	104/62
1,254,434	1/1918	Rea .....	105/95

FOREIGN PATENT DOCUMENTS

574239	4/1933	Fed. Rep. of Germany .....	104/62
--------	--------	----------------------------	--------

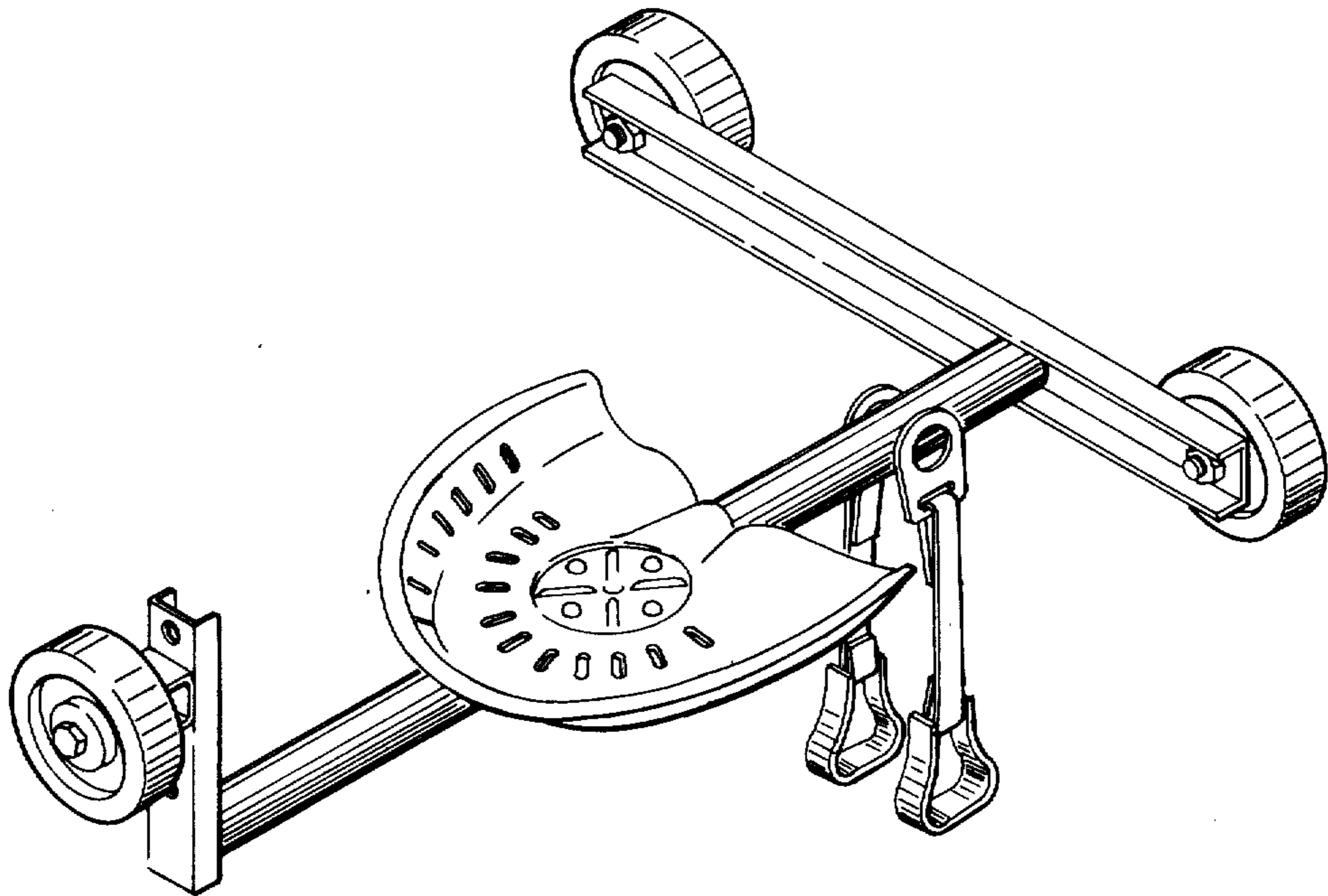
Primary Examiner—James M. Gandy  
Attorney, Agent, or Firm—Alan Ruderman

[57] CLAIM

The ornamental design for a construction trolley, substantially as shown.

DESCRIPTION

FIG. 1 is a front perspective view of a construction trolley embodying my new design; and FIG. 2 is a rear perspective view thereof.



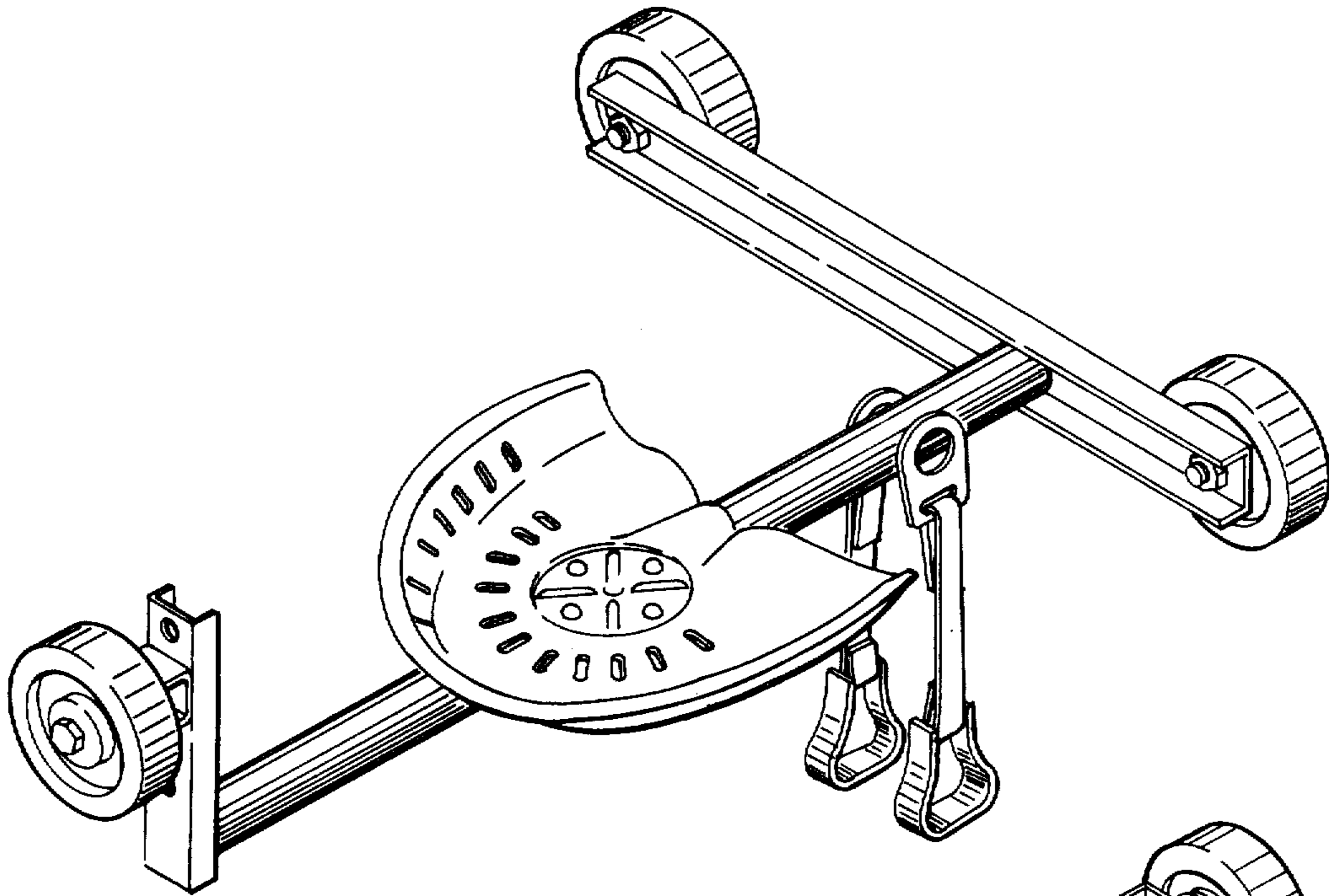


FIG. 1

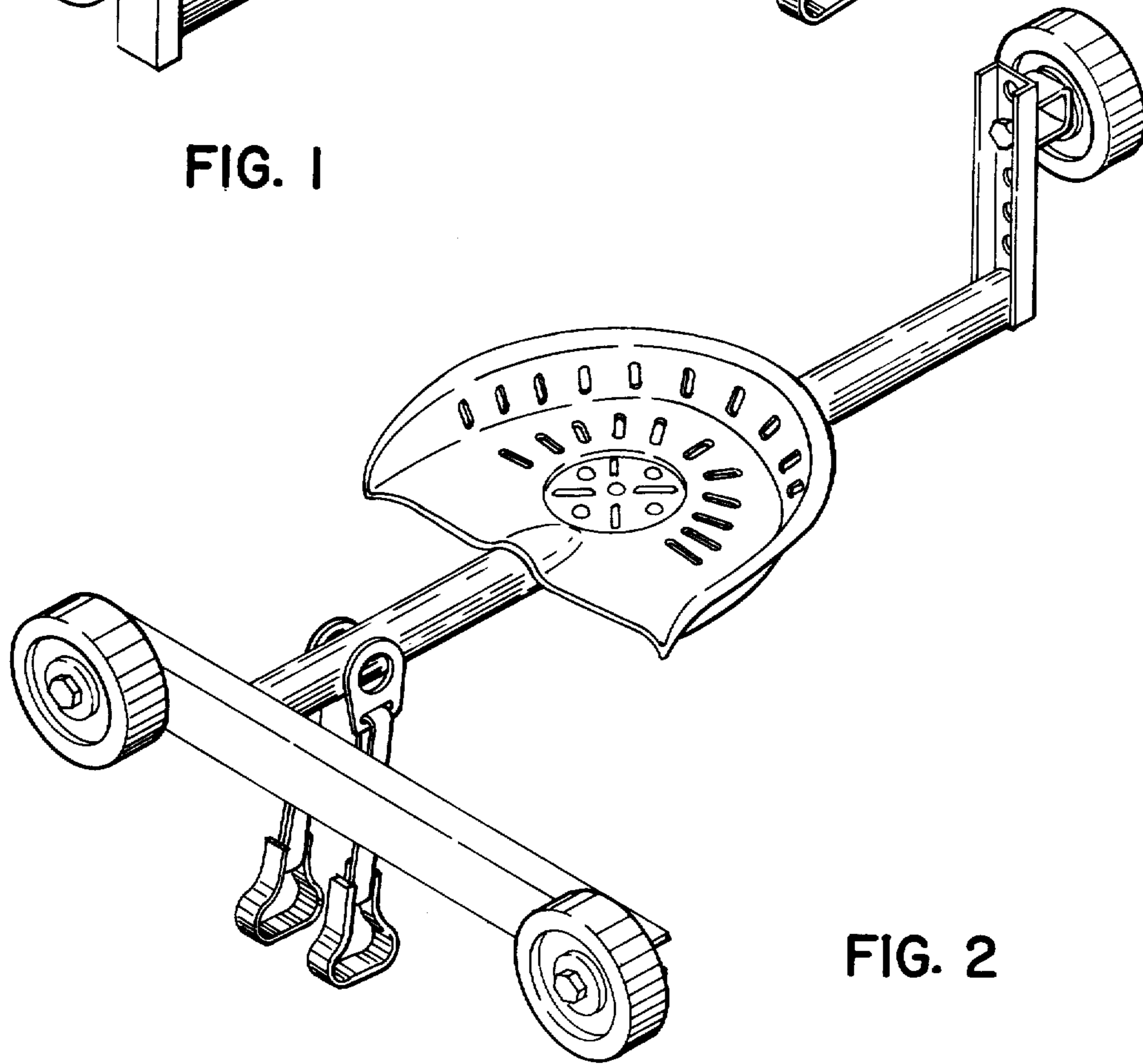


FIG. 2