

[54] **COMBINED TORPEDO LEVEL AND PERIPHERAL ANGLE MEASURING DEVICE**

2,813,349 11/1957 Harris 33/379 X
3,456,354 7/1969 Wright 33/381
3,869,806 3/1975 Humphrey 33/379 X

[76] Inventor: **James L. Smith**, 17139 River Rd., Channelview, Tex. 77530

FOREIGN PATENT DOCUMENTS

74173 11/1960 France 33/390

[**] Term: **14 Years**

Primary Examiner—Nelson C. Holtje

[21] Appl. No.: **102,109**

Attorney, Agent, or Firm—Mason, Fenwick & Lawrence

[22] Filed: **Dec. 7, 1979**

[57] **CLAIM**

The ornamental design for a combined torpedo level and peripheral angle measuring device, as shown and described.

[51] Int. Cl. **D10-04**

[52] U.S. Cl. **D10/69; D10/65**

[58] Field of Search **D10/69, 65; 33/379, 33/301, 387, 390**

DESCRIPTION

FIG. 1 is a front perspective view of a combined torpedo level and peripheral angle measuring device showing my new design;

FIG. 2 is a top plan view thereof, the bottom plan being identical thereto but without the sight opening;

FIG. 3 is a front elevational view thereof, the rear being identical thereto;

FIG. 4 is a left side elevational view thereof, the right side being a mirror image thereto.

[56] **References Cited**

U.S. PATENT DOCUMENTS

- D. 168,401 12/1952 Harris D10/69
- D. 208,723 9/1967 Camilleri D10/69
- D. 224,663 8/1972 de Jong D10/69
- 1,025,086 4/1912 Harris 33/390
- 1,630,174 5/1927 Elsas 33/390 X

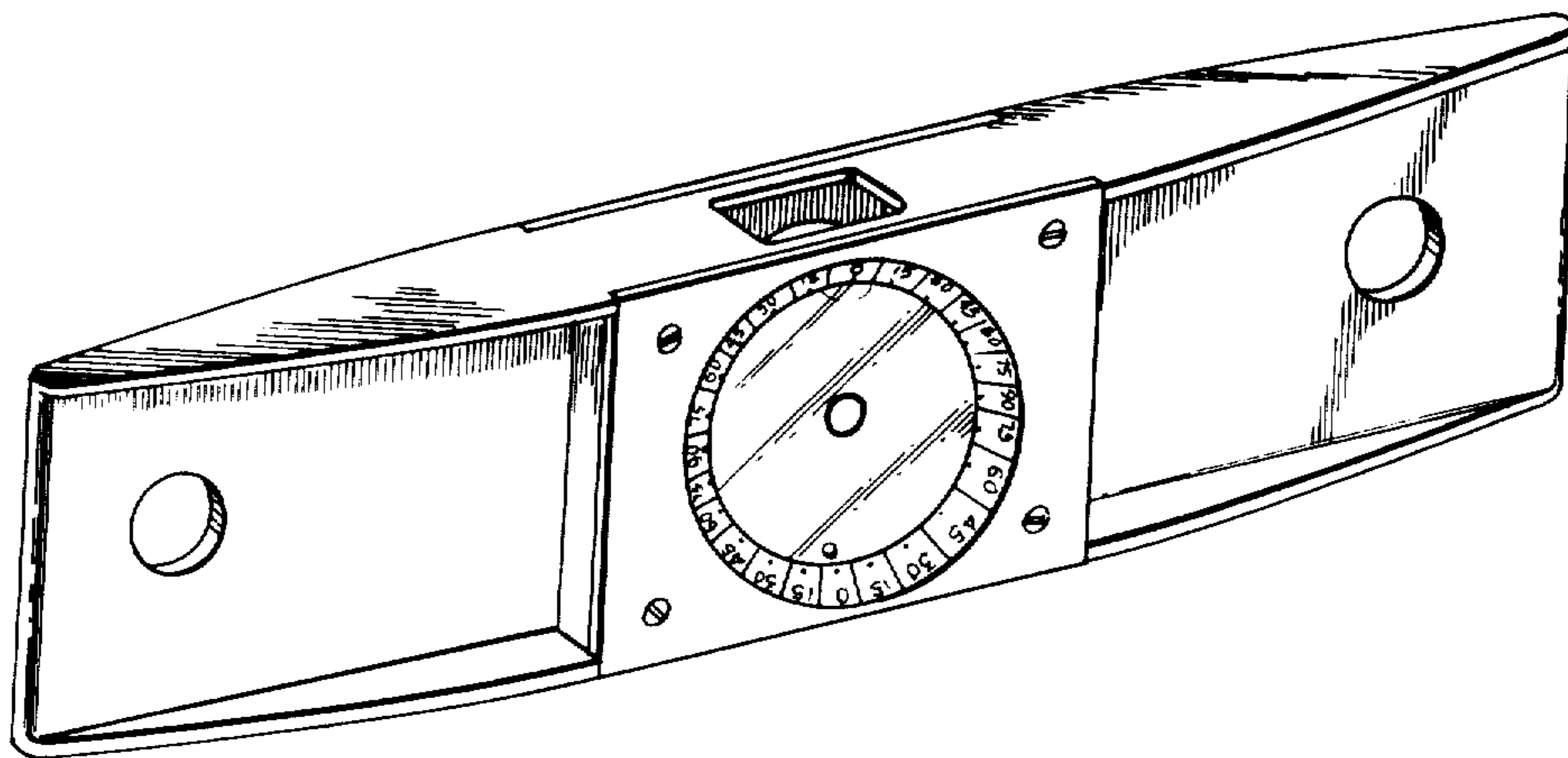


Fig-1

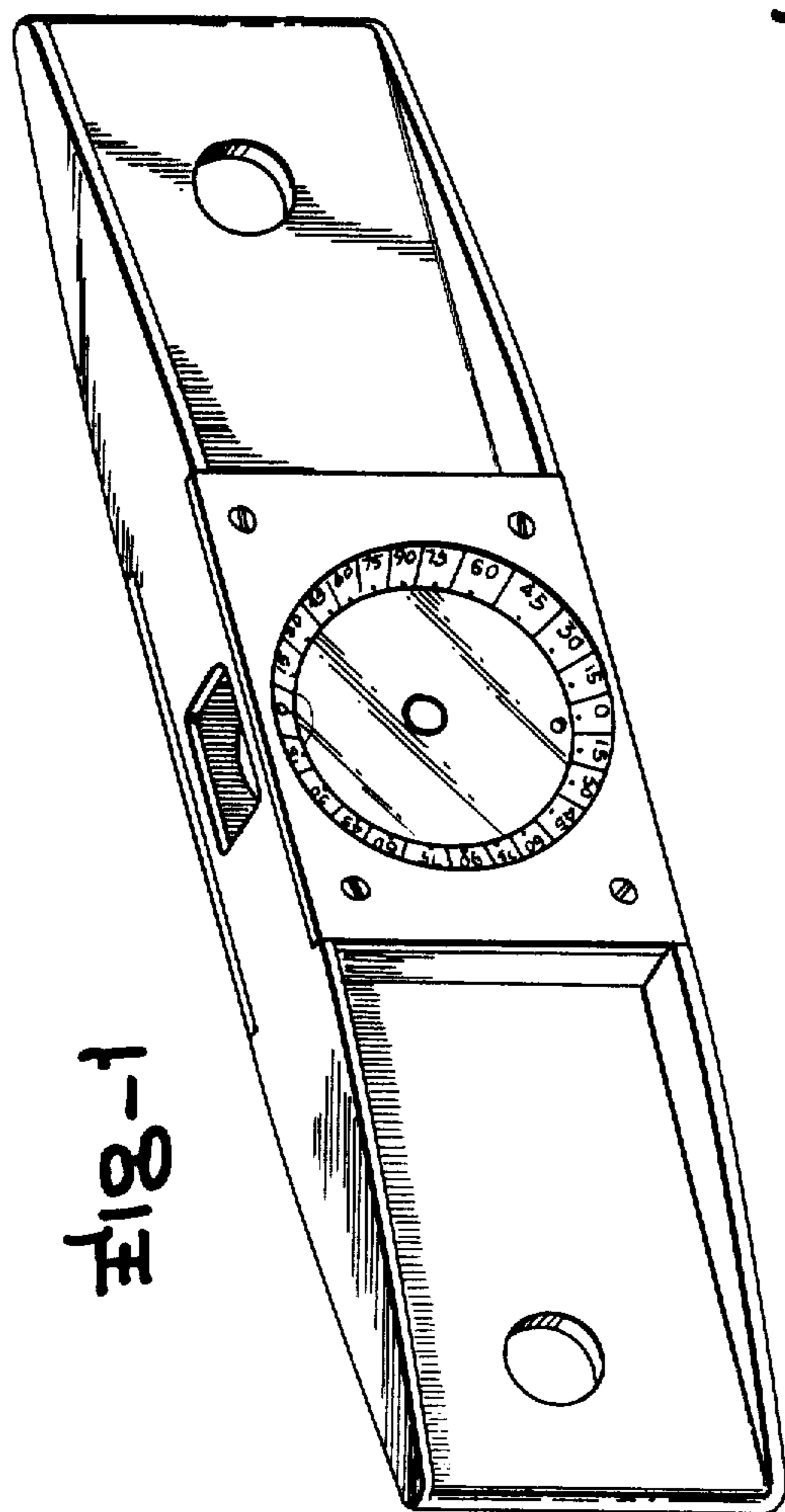


Fig-2

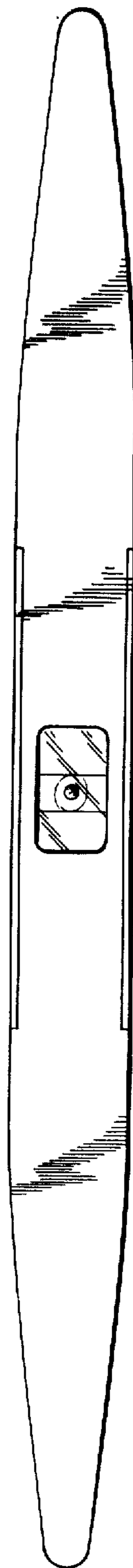


Fig-3

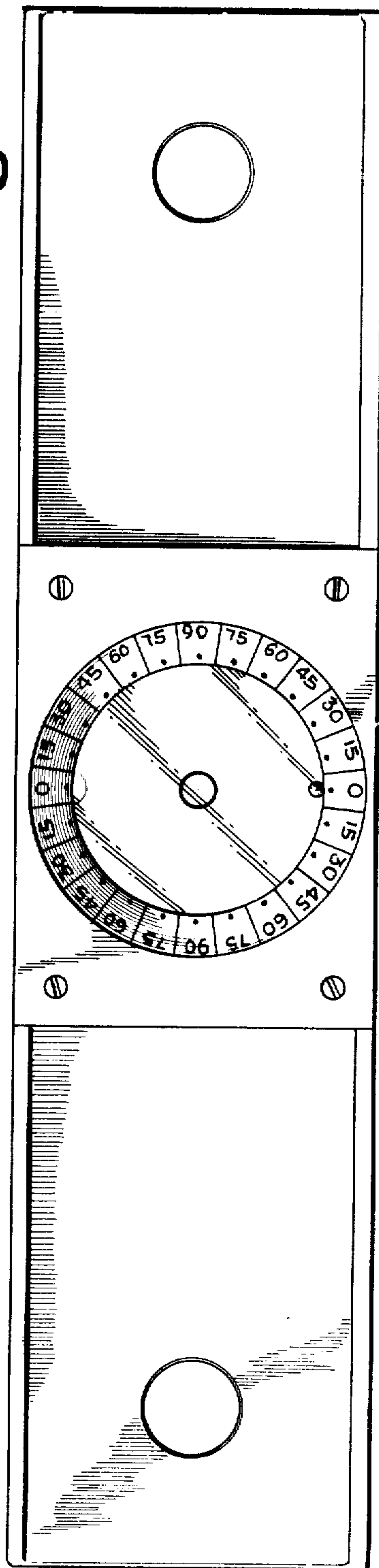


Fig-4

