

[54] **STACKABLE CONTAINER FOR LIQUIDS OR THE LIKE**

[75] Inventor: **Charles N. Epperson**, Okmulgee, Okla.

[73] Assignee: **Invention Development Equity Assoc., Inc.**, Okmulgee, Okla.

[**] Term: **14 Years**

[21] Appl. No.: **65,596**

[22] Filed: **Aug. 10, 1979**

[51] Int. Cl. **D9-01**

[52] U.S. Cl. **D9/376; D9/381**

[58] Field of Search **D9/375, 376, 378-383, D9/413**

[56] **References Cited**

U.S. PATENT DOCUMENTS

| | | | |
|------------|---------|-----------------|--------|
| D. 146,127 | 12/1946 | Billups | D9/375 |
| D. 211,928 | 8/1968 | Burnett | D9/375 |
| D. 234,019 | 12/1974 | D'Alo | D9/375 |
| D. 247,347 | 2/1978 | Klingaman | D9/376 |
| 3,326,425 | 6/1967 | Smith | D9/375 |

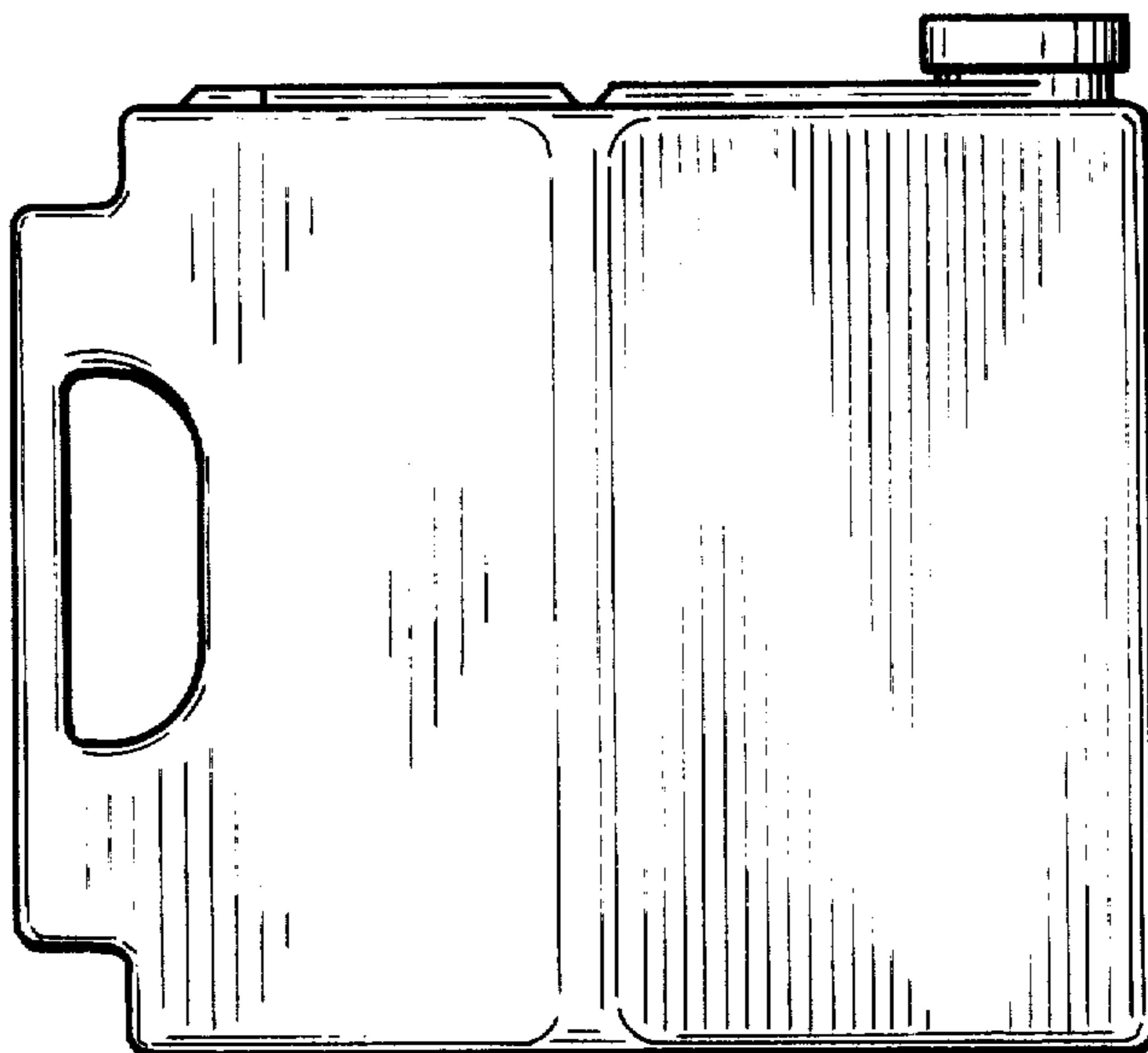
Primary Examiner—Robert C. Spangler
Attorney, Agent, or Firm—William S. Dorman

[57] **CLAIM**

The ornamental design for a stackable container for liquids or the like, as shown and described.

DESCRIPTION

FIG. 1 is a front elevational view of a stackable container for liquids showing my new design; FIG. 2 is a top plan view thereof; FIG. 3 is a right-end elevational view thereof; FIG. 4 is a left-end elevational view thereof; FIG. 5 is a rear elevational view thereof; and FIG. 6 is a bottom plan view thereof.



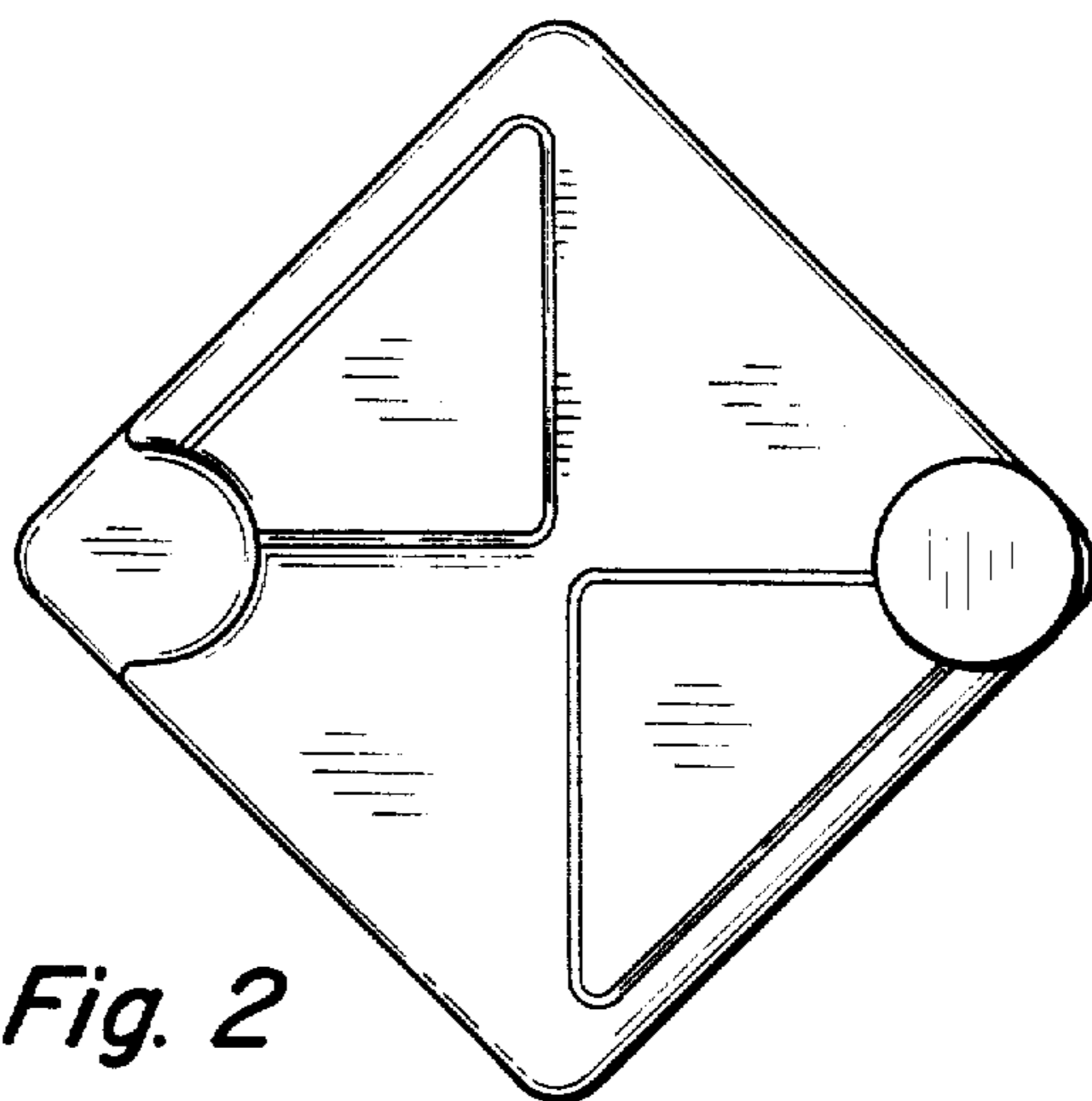


Fig. 2

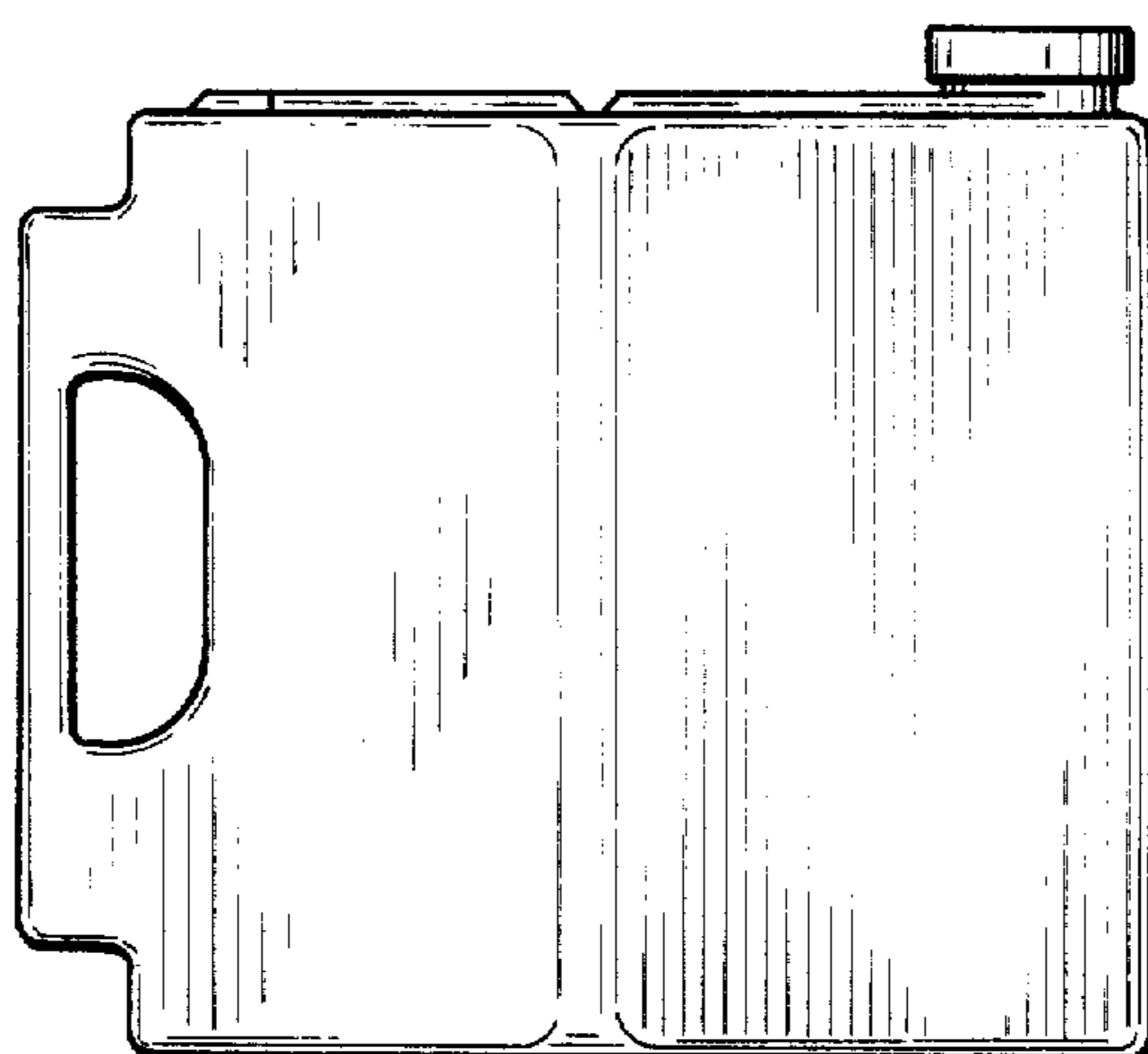


Fig. 1

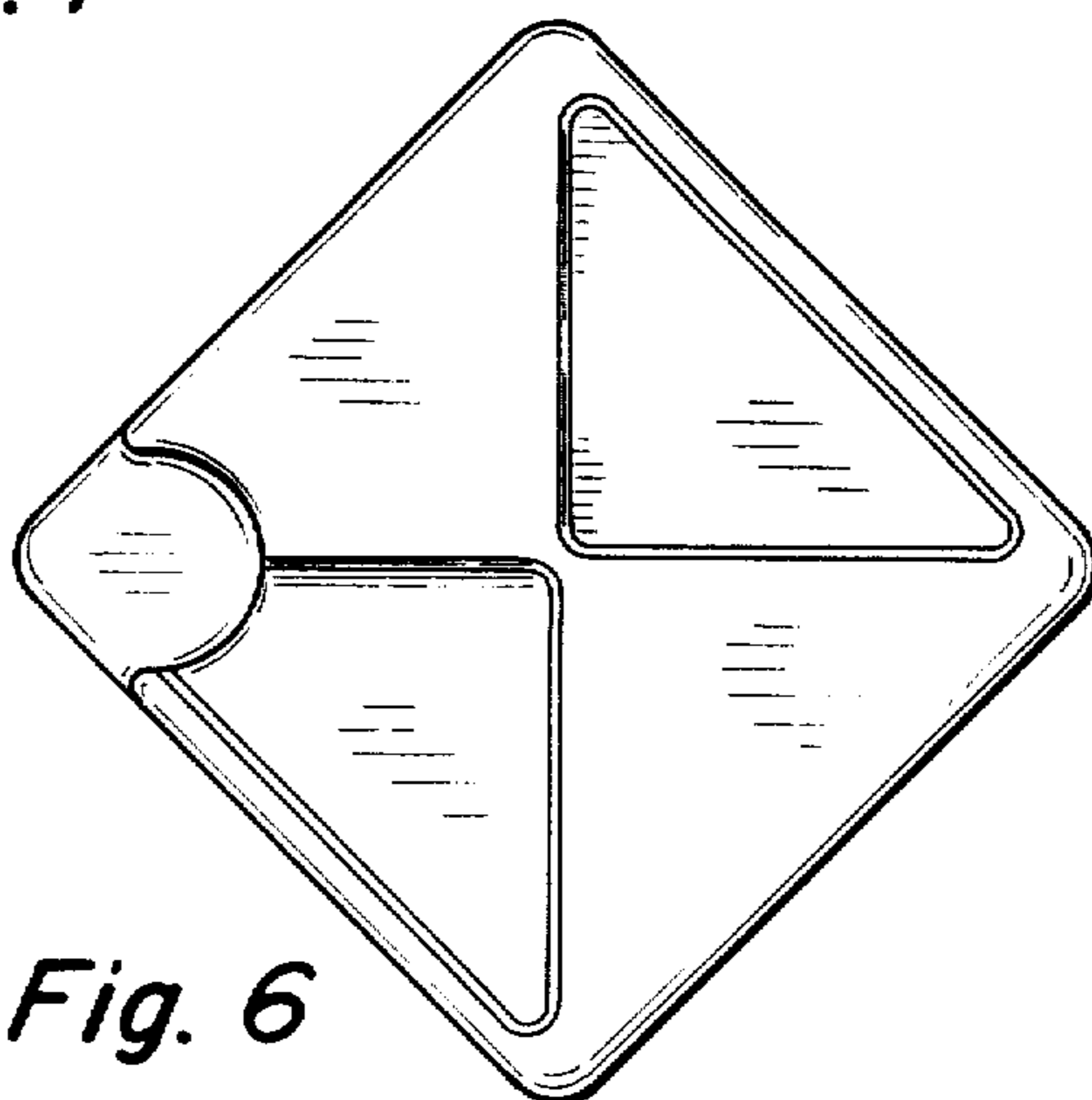


Fig. 6

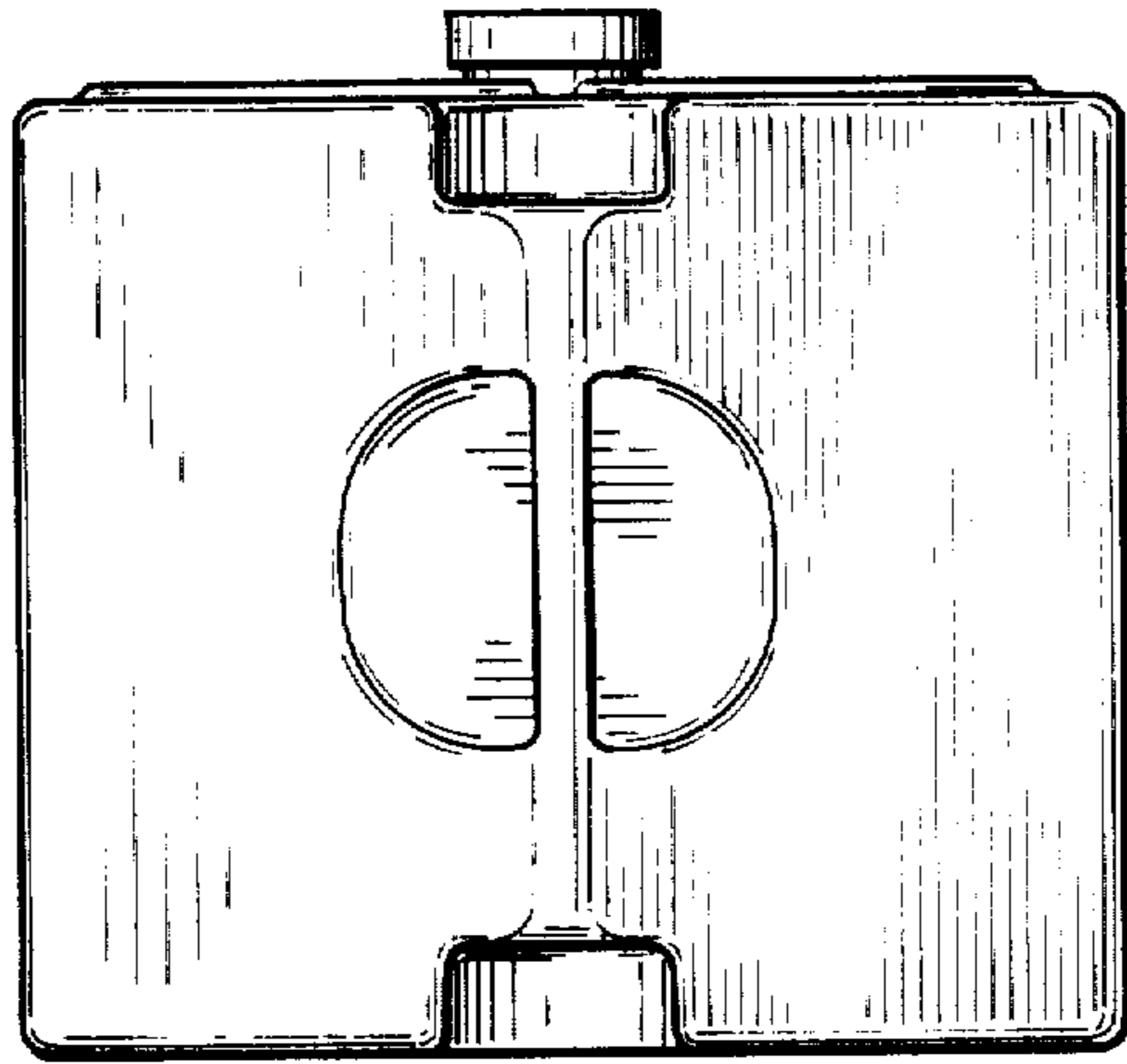


Fig. 4

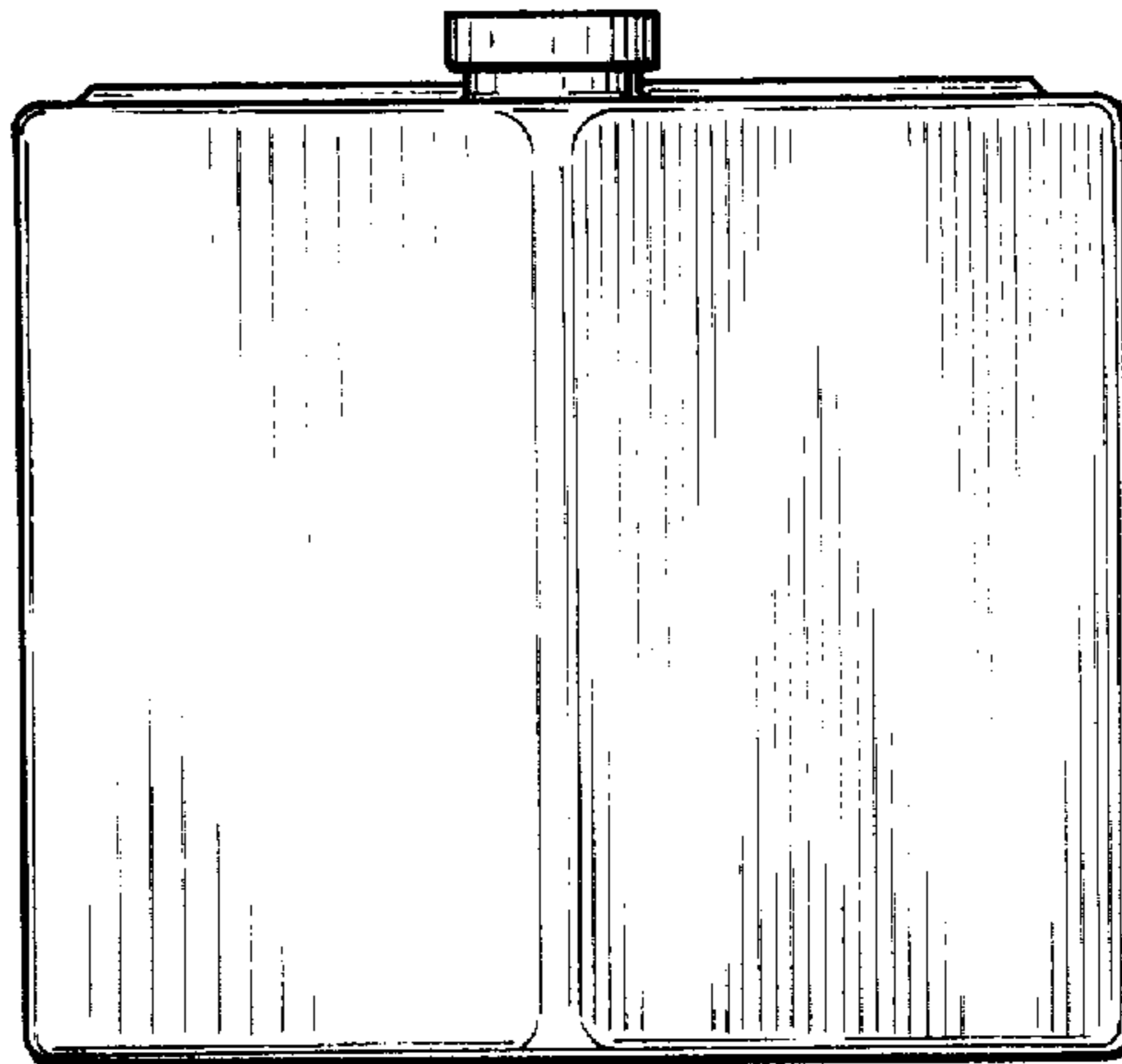


Fig. 3

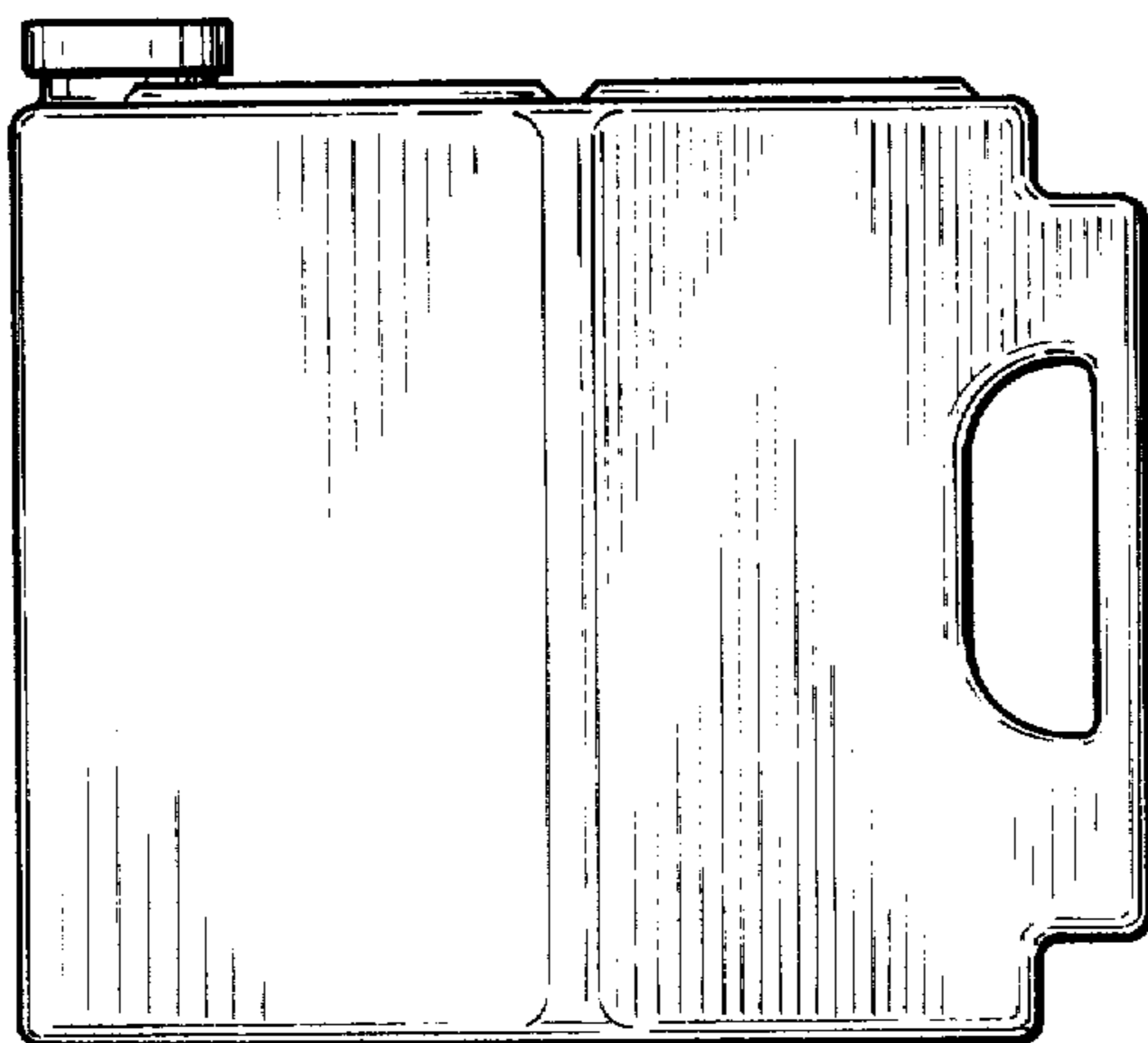


Fig. 5