

[54] CONTAINER FOR LIQUIDS OR THE LIKE

[56] References Cited

[75] Inventor: Charles N. Epperson, Okmulgee, Okla.

[73] Assignee: Invention Development Equity Assoc., Inc., Okmulgee, Okla.

[\*\*] Term: 14 Years

[21] Appl. No.: 65,597

[22] Filed: Aug. 10, 1979

[51] Int. Cl. .... D9-01

[52] U.S. Cl. .... D9/375

[58] Field of Search ..... D9/390, 399, 375, 376, D9/413; D99/51; 215/1 R, 1 C

U.S. PATENT DOCUMENTS

|            |        |           |       |        |
|------------|--------|-----------|-------|--------|
| D. 109,221 | 4/1938 | Kostellow | ..... | D9/351 |
| D. 188,629 | 8/1960 | Hawkins   | ..... | D9/375 |
| D. 214,360 | 6/1969 | Huber     | ..... | D9/376 |
| D. 226,901 | 5/1973 | Galer     | ..... | D9/376 |

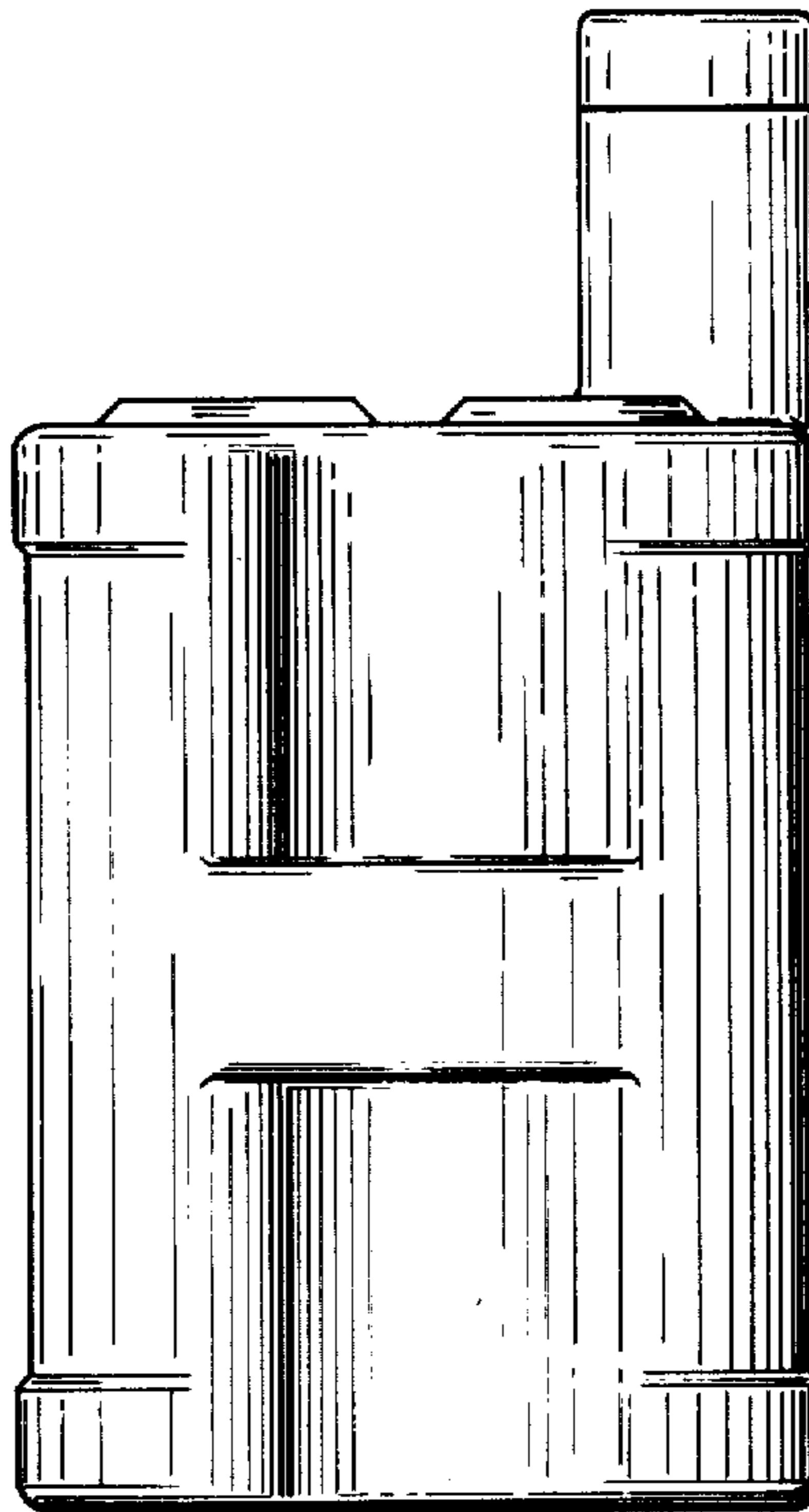
Primary Examiner—Robert C. Spangler  
Attorney, Agent, or Firm—William S. Dorman

[57] CLAIM

The ornamental design for a container for liquids or the like, as shown and described.

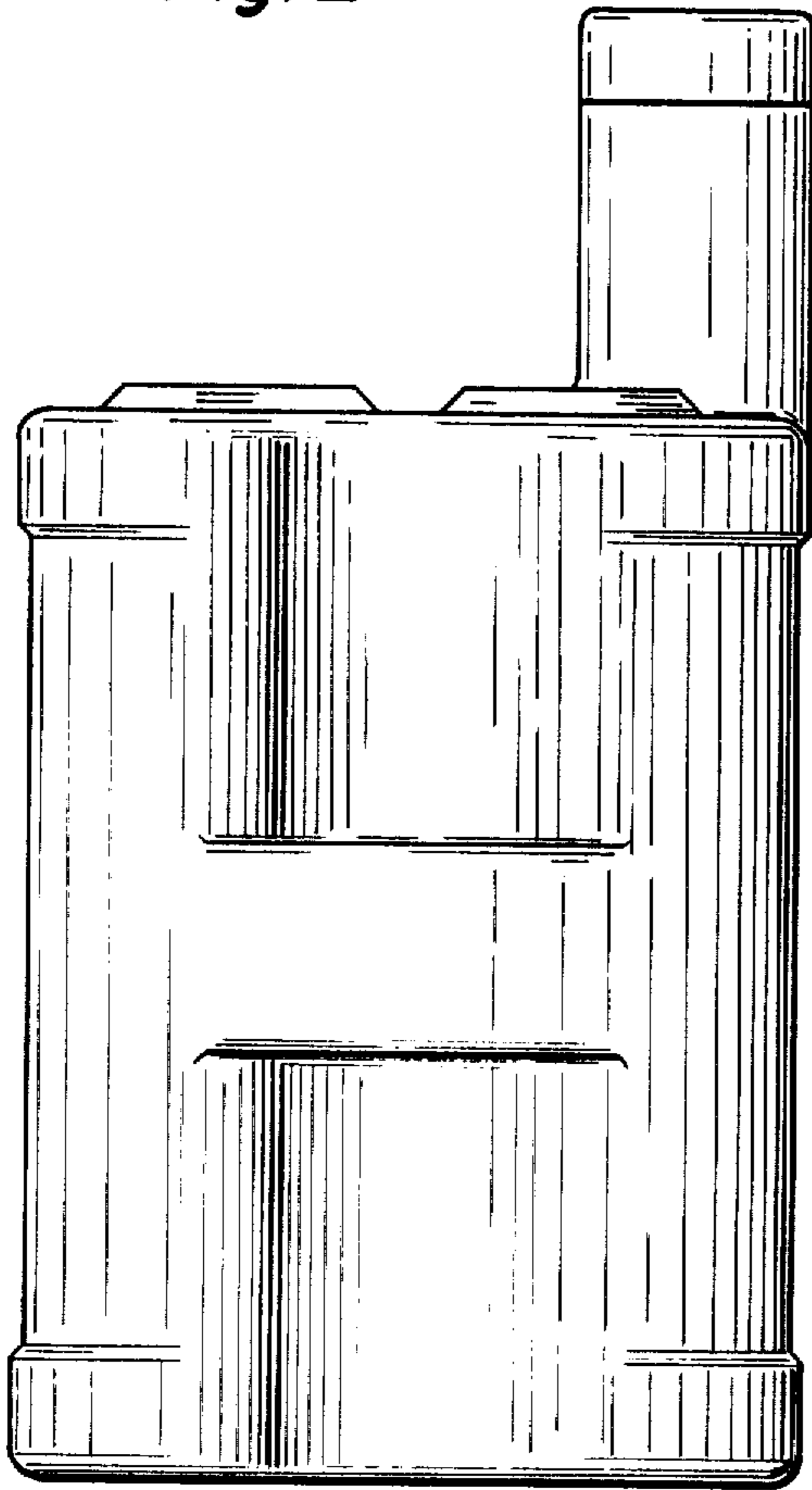
DESCRIPTION

FIG. 1 is a front elevational view of a container for liquids showing my new design;  
FIG. 2 is a top plan view thereof;  
FIG. 3 is a right-end elevational view thereof;  
FIG. 4 is a left-end elevational view thereof;  
FIG. 5 is a rear elevational view thereof; and  
FIG. 6 is a bottom plan view thereof.

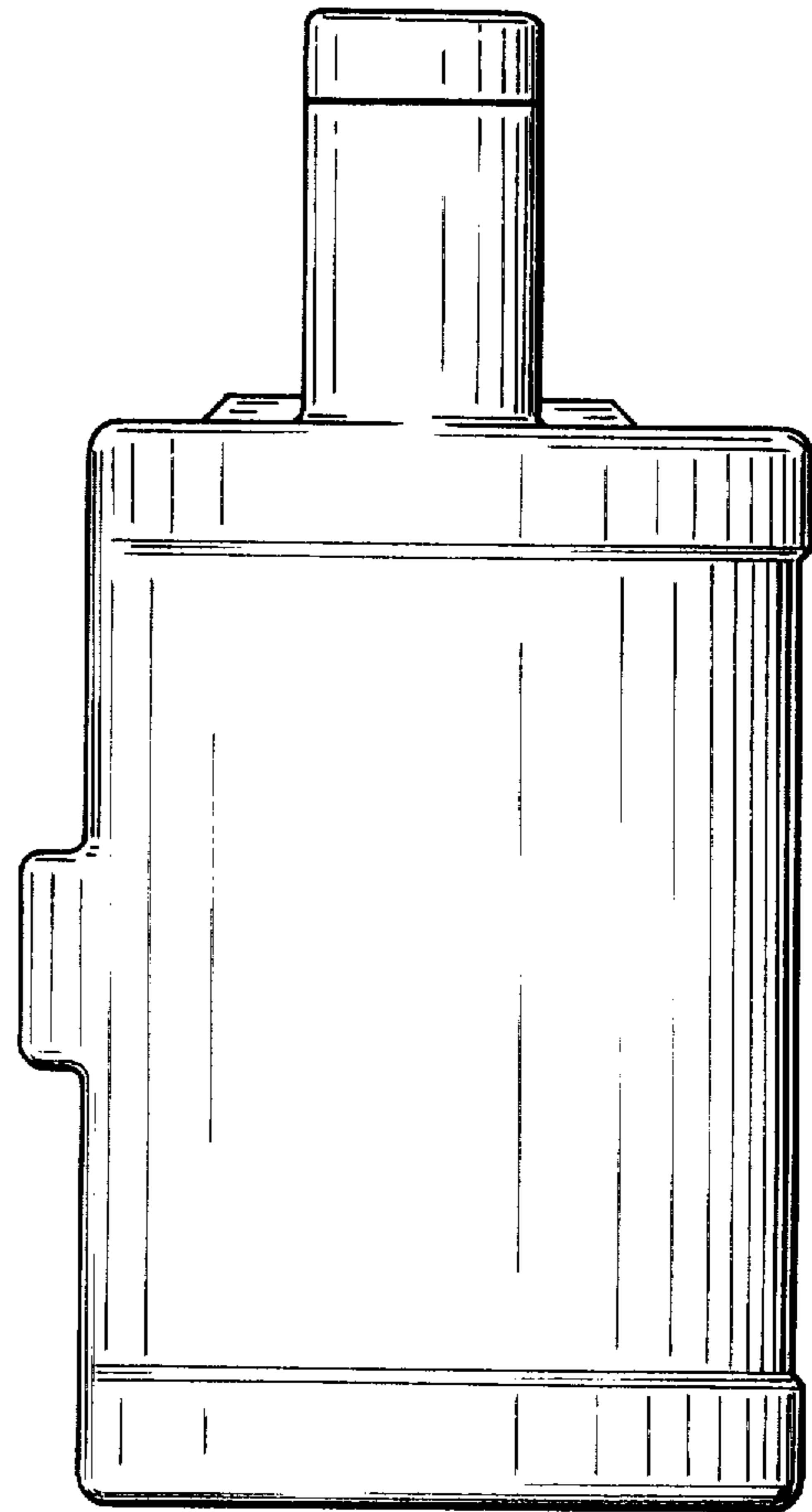




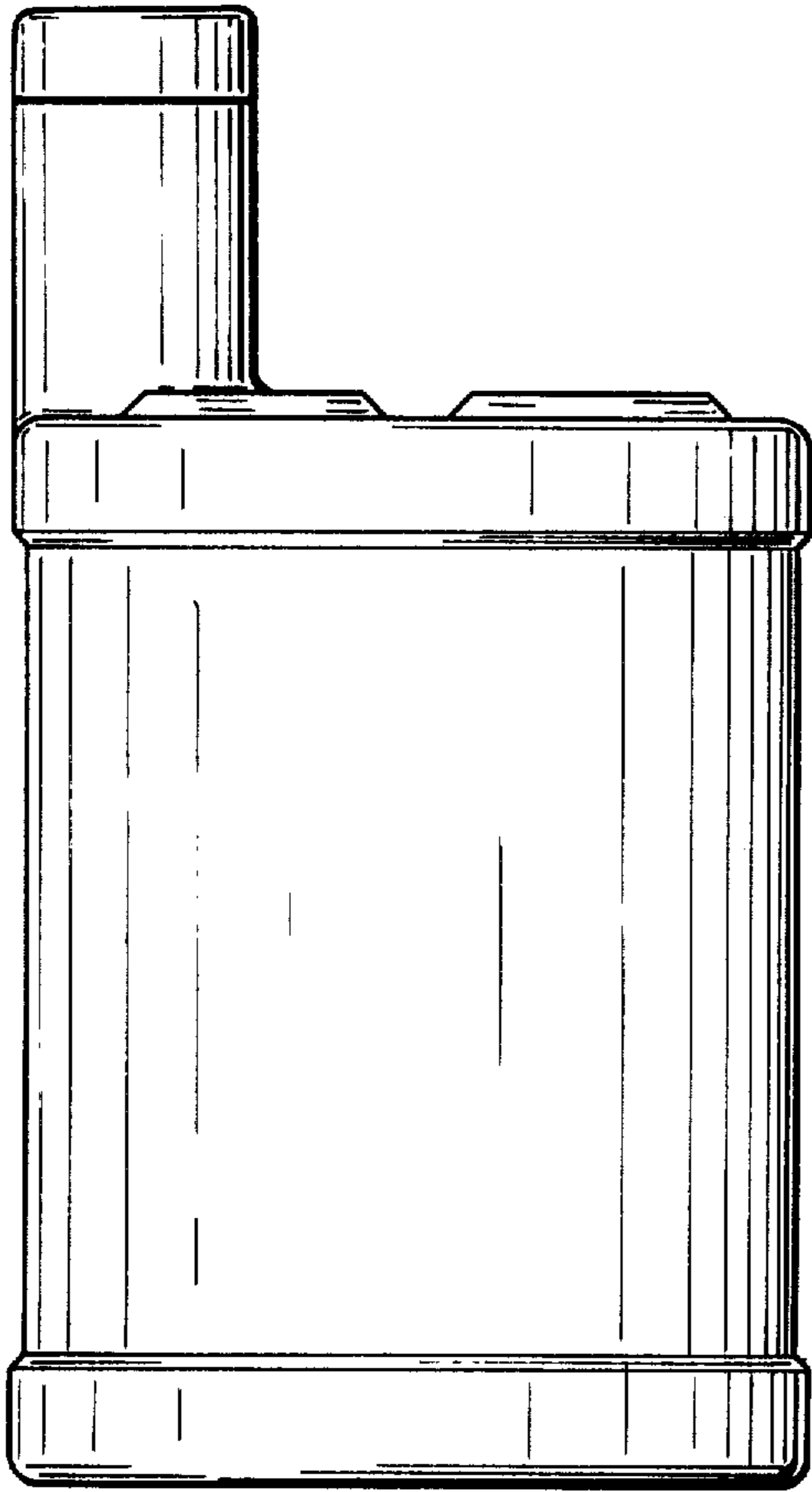
*Fig. 2*



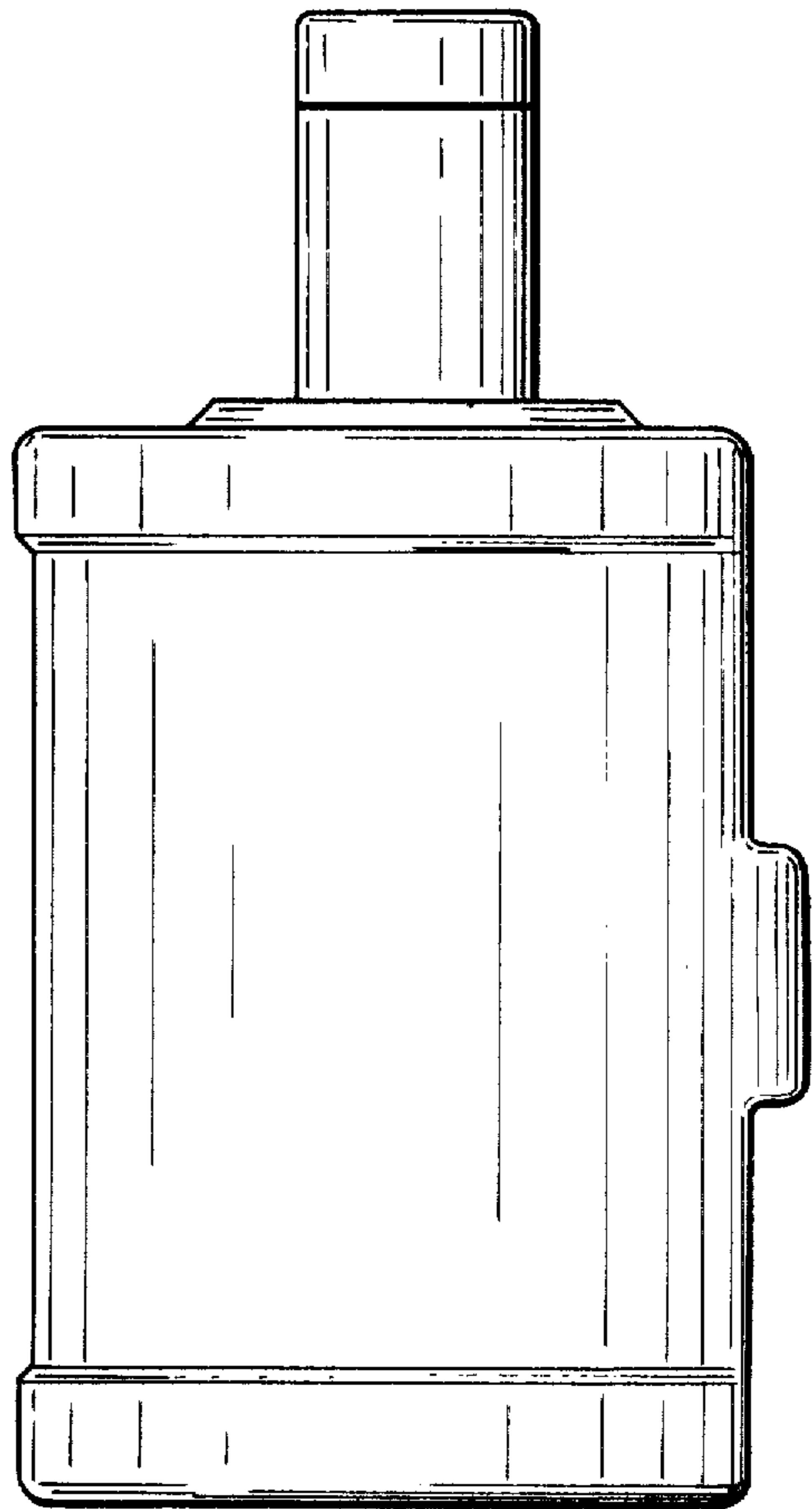
*Fig. 1*



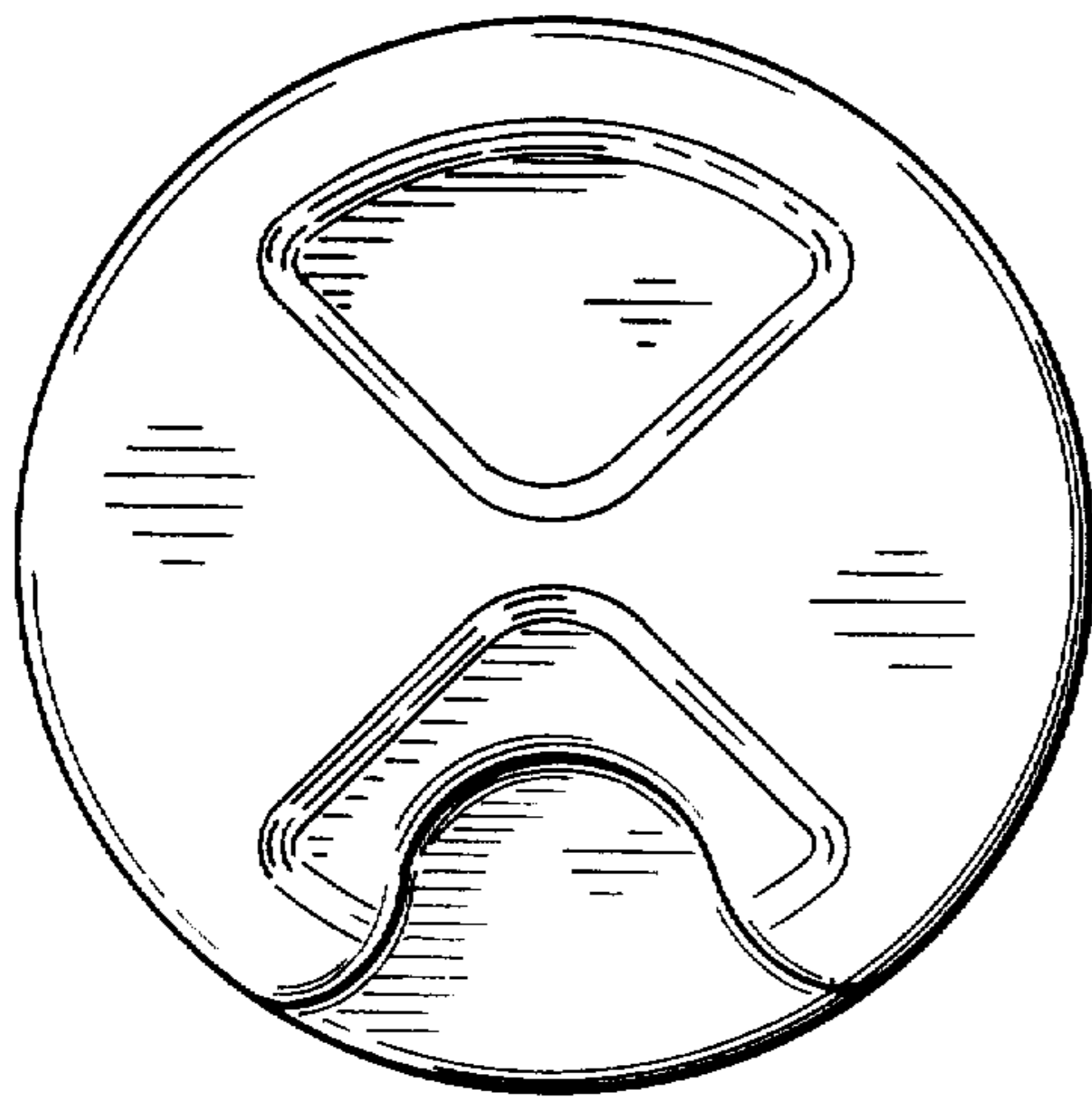
*Fig. 3*



*Fig. 5*



*Fig. 4*



*Fig. 6*