

[54] PACKAGE OF BLOCK-SHAPED ARTICLES

[76] Inventor: Henry E. Nass, 137 N. 4th St., Philadelphia, Pa. 19106

[**] Term: 14 Years

[21] Appl. No.: 896,782

[22] Filed: Apr. 17, 1978

[51] Int. Cl. D9-03

[52] U.S. Cl. D9/337; D9/414

[58] Field of Search D9/171, 193; 206/322, 206/442, 216, 581

[56] References Cited

U.S. PATENT DOCUMENTS

- D. 51,133 8/1917 Budd D9/193
- D. 238,144 12/1975 Ketcham D9/171
- D. 254,843 4/1980 Kaplan D9/193

- 2,778,489 1/1957 Shoemaker 206/322
- 3,247,958 4/1966 Dreher 206/322

Primary Examiner—Robert C. Spangler
Attorney, Agent, or Firm—S. C. Yuter

[57] CLAIM

The ornamental design for a package of block-shaped articles, as shown and described.

DESCRIPTION

FIG. 1 is a front perspective view of a package of block-shaped articles showing my new design; FIG. 2 is a rear perspective view; and FIG. 3 is a front perspective view showing a modified form of my new design.

The bottom view of both forms is a mirror image of the top. The rear of the form in FIG. 3 is the same in appearance as the rear of the form seen in FIG. 2. The end opposite that seen in FIG. 3 is a mirror image of the end shown.

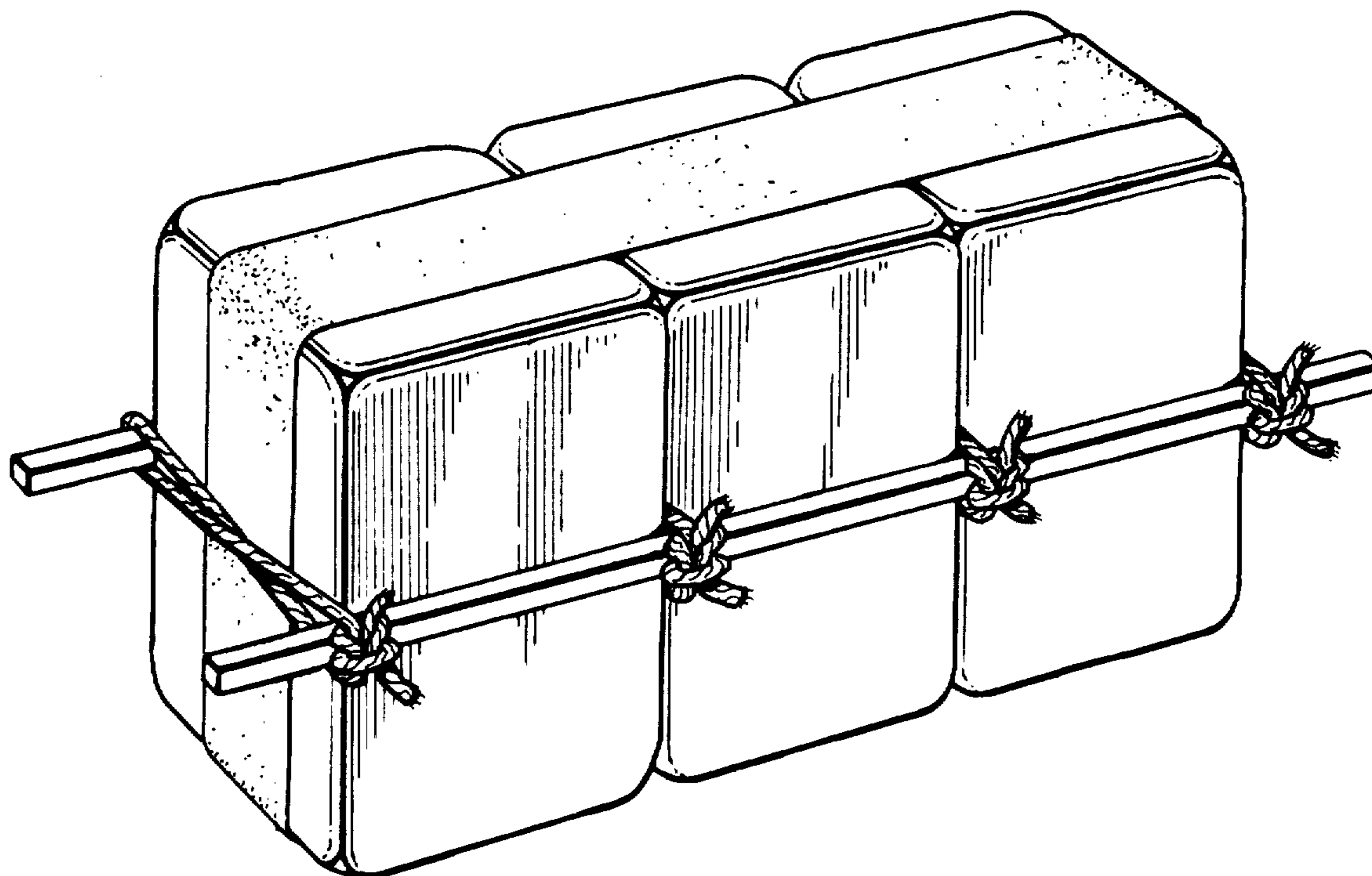


FIG. 1

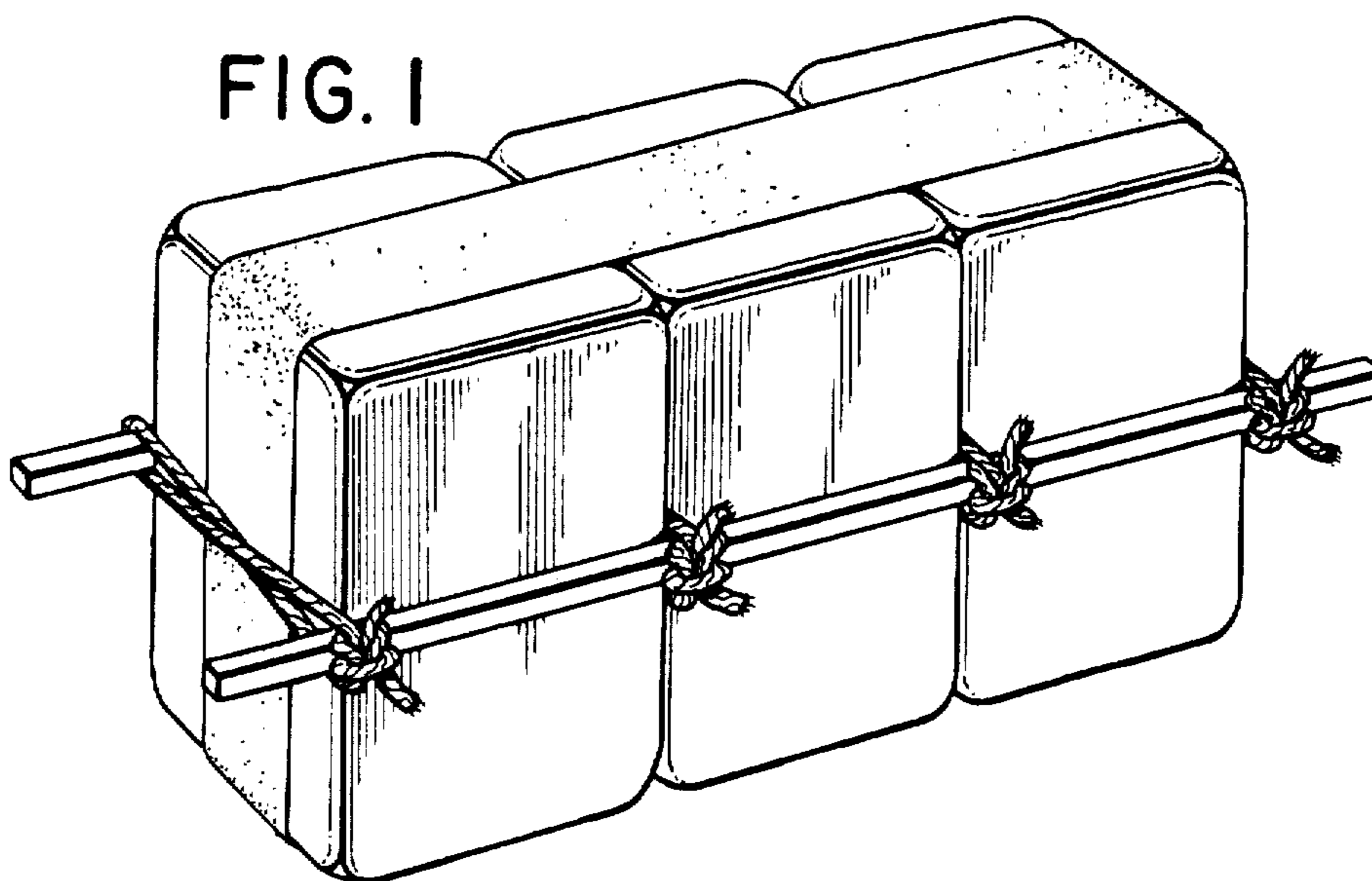


FIG. 2

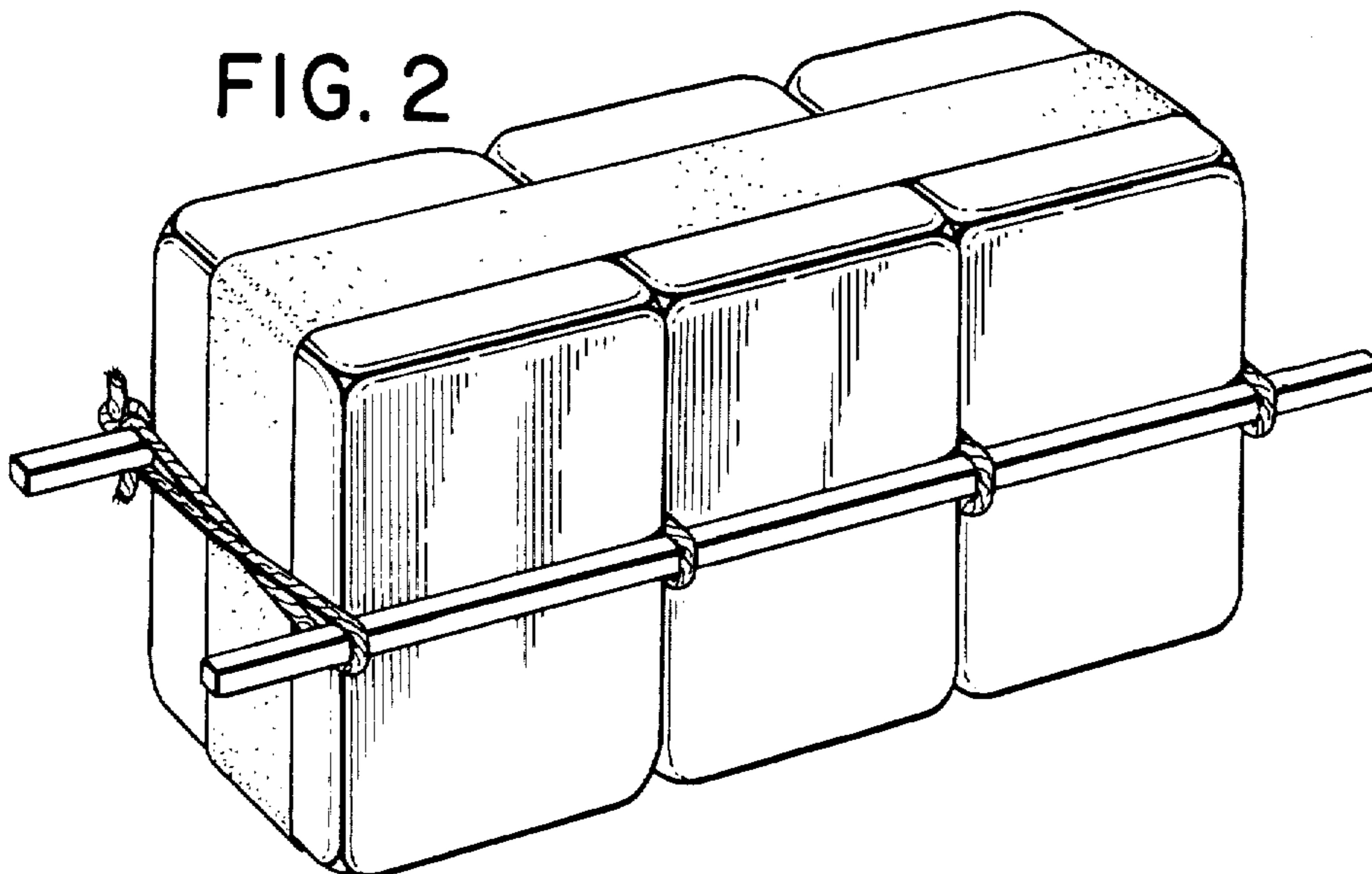


FIG. 3

