

[54] STRIP OF INSULATED CABLE CLIPS

[75] Inventor: Douglas Robinson, Preston, England

[73] Assignee: Ofrex Group Limited, London, England

[**] Term: 14 Years

[21] Appl. No.: 883,329

[22] Filed: Mar. 3, 1978

[30] Foreign Application Priority Data

Sep. 7, 1977 [GB] United Kingdom 981432/77

[51] Int. Cl. D8-08

[52] U.S. Cl. D8/382; D8/390

[58] Field of Search D8/382, 388, 390, 394, D8/395; 24/129 R, 129 D; 248/65, 74 R, 74 A; 85/49; 174/159

[56]

References Cited

U.S. PATENT DOCUMENTS

D. 236,083	7/1975	Olson	D8/390
1,366,321	1/1921	Kahn	248/74 R
1,811,060	6/1931	Obstfeld	85/49
2,901,200	8/1959	Voeks	D8/390
3,032,769	5/1962	Palmer	85/49
3,241,797	3/1966	Anderson	248/74 R
3,357,296	12/1967	Lefever	174/159
3,894,174	7/1975	Carton	174/159

Primary Examiner—B. J. Bullock
Attorney, Agent, or Firm—Kurt Kelman

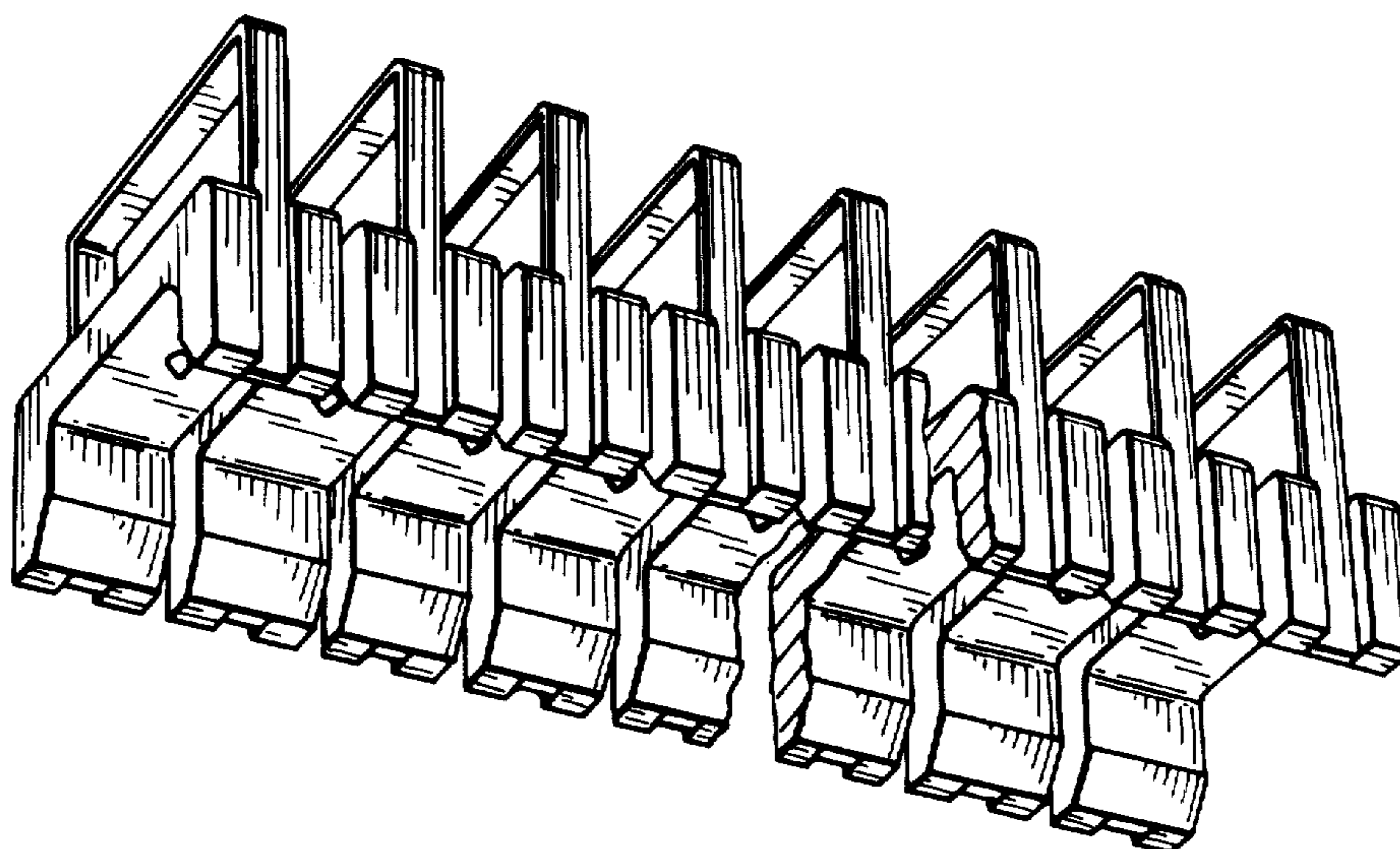
[57]

CLAIM

The ornamental design for a strip of insulated cable clips, as shown and described.

DESCRIPTION

FIG. 1 is a perspective view of a strip of insulated cable clips showing my new design, the strip being shown broken away to indicate indeterminate length; FIG. 2 is a top view thereof; FIG. 3 is an end elevational view thereof; and FIG. 4 is a sectional view taken along line IV—IV of FIG. 2.



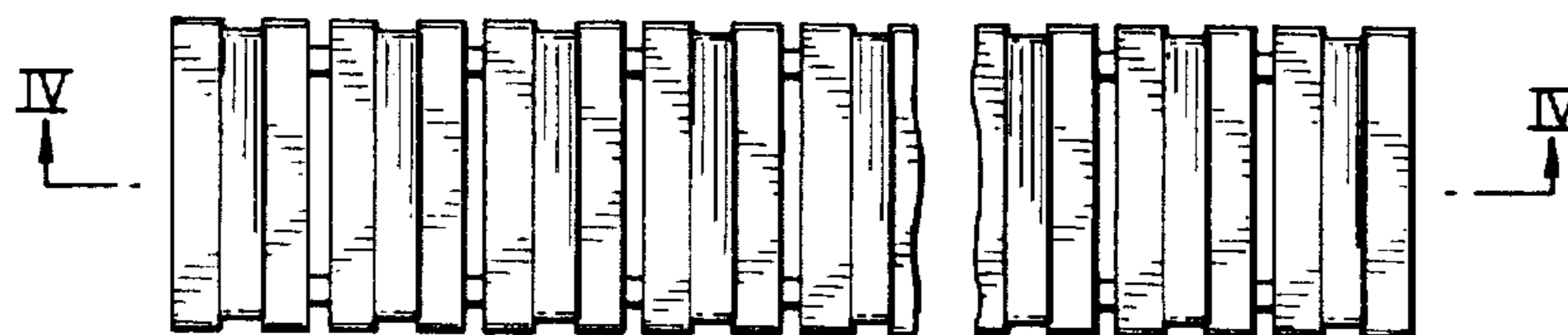
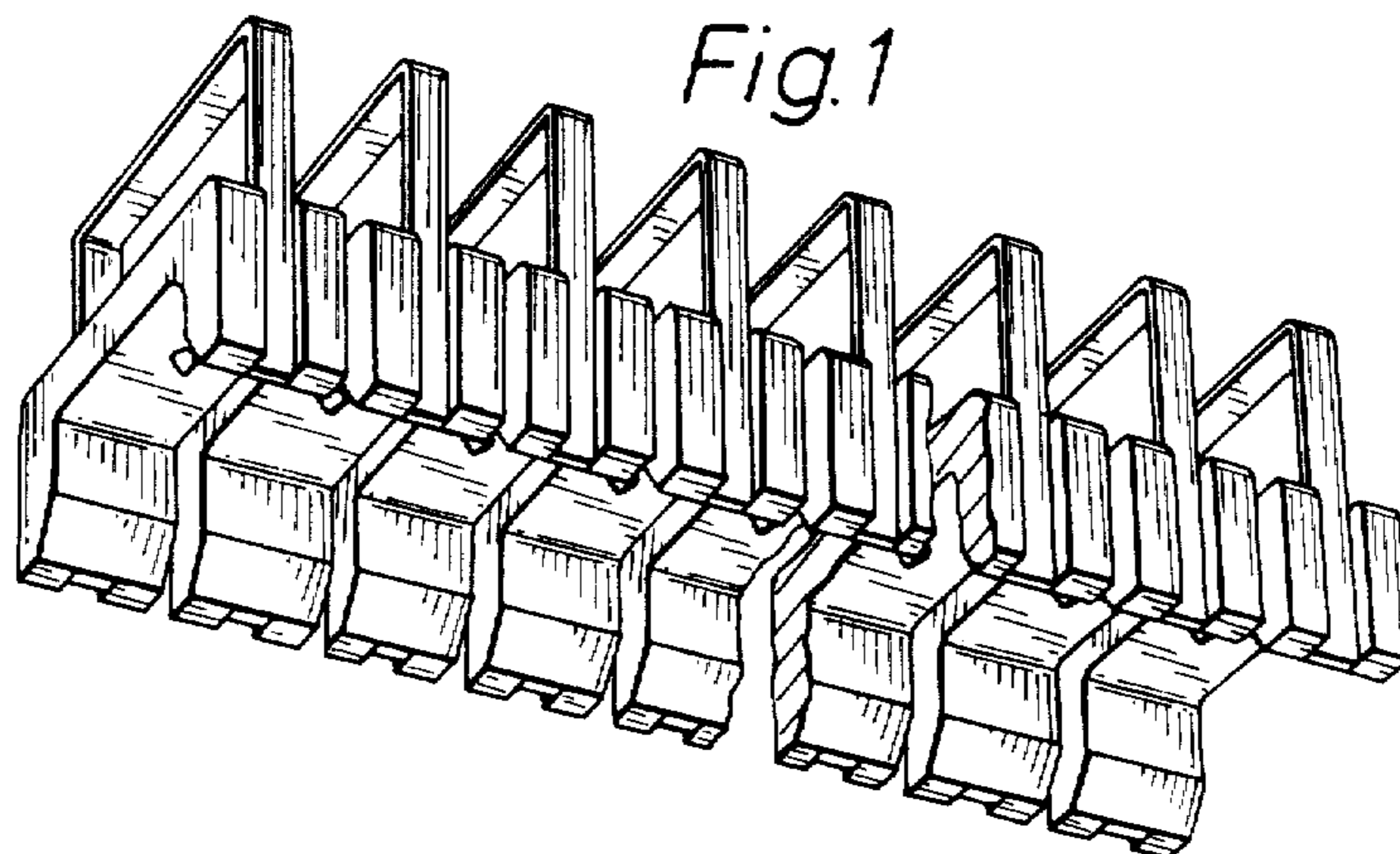


Fig. 2

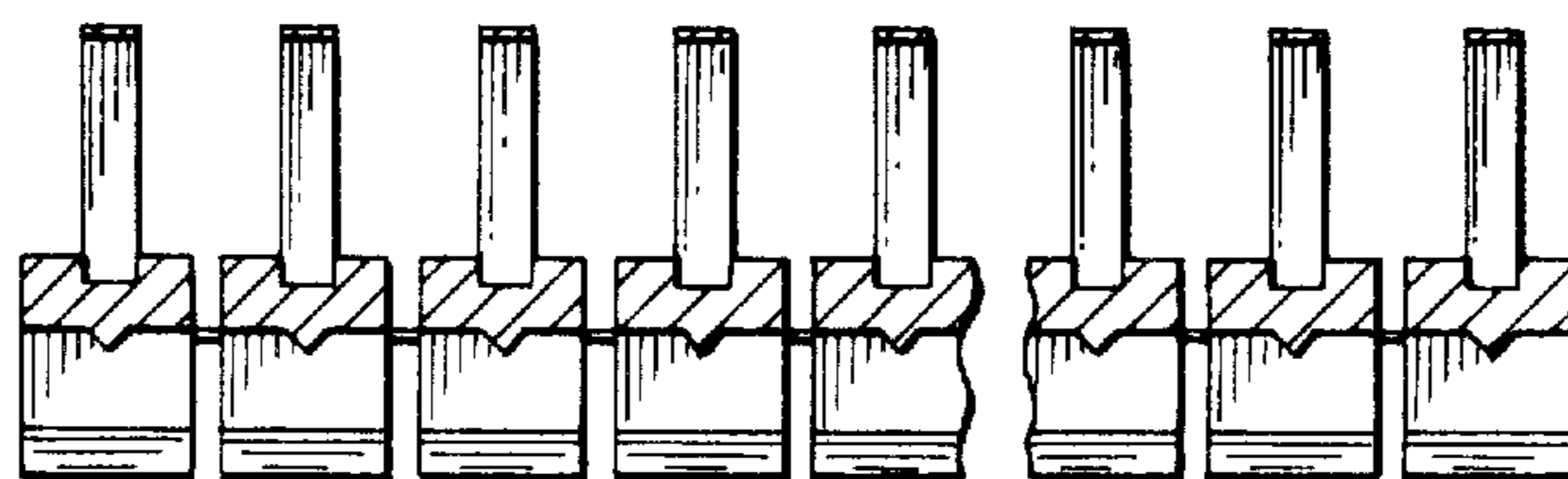
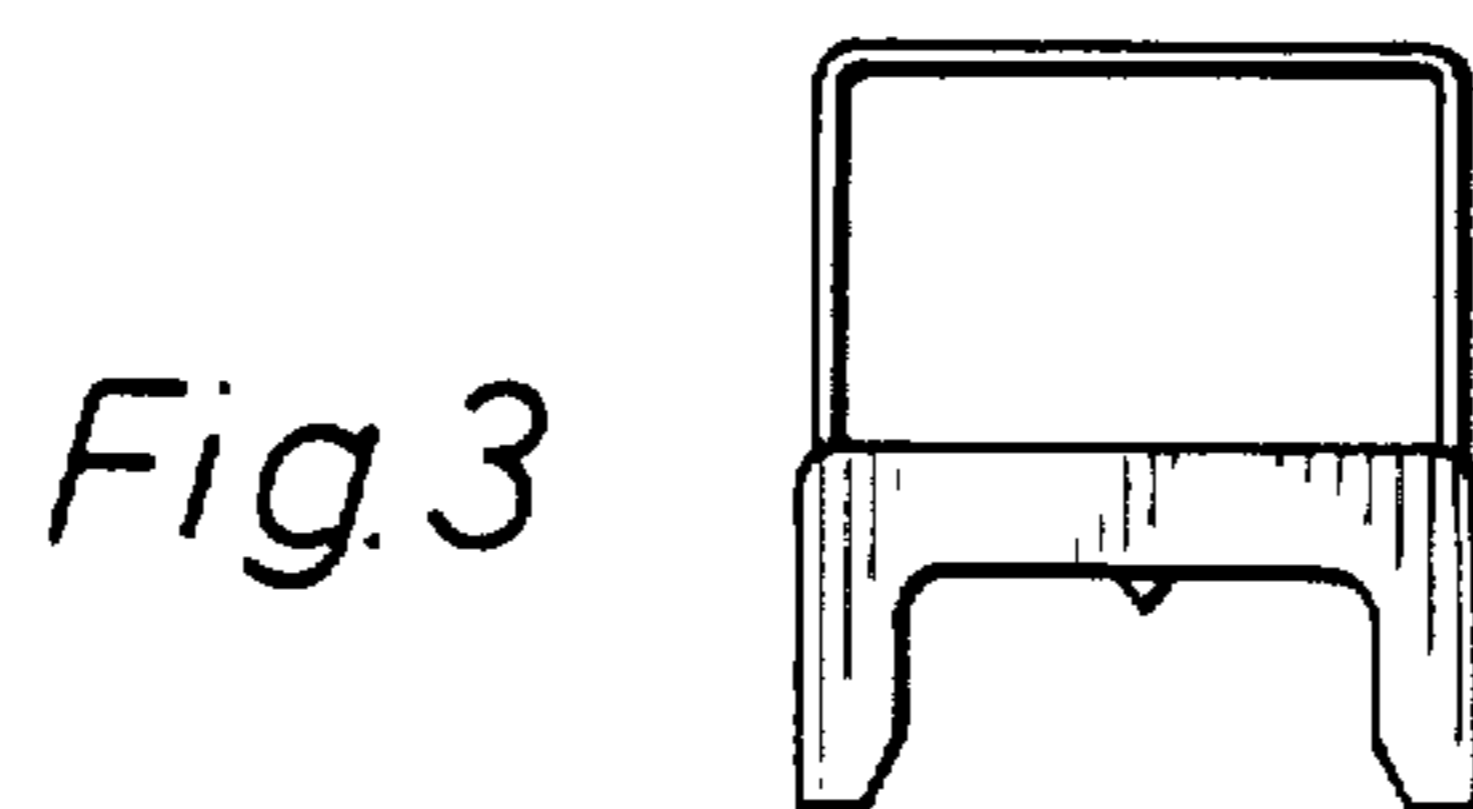


Fig. 4