

- [54] **CATCH ASSEMBLY FOR DRAWERS AND CUPBOARDS**
- [76] Inventor: **Alf Sundberg**, Box 428, Sollentuna, Sweden
- [\*\*] Term: **14 Years**
- [21] Appl. No.: **39,787**
- [22] Filed: **May 17, 1979**
- [30] **Foreign Application Priority Data**  
 Nov. 17, 1978 [SE] Sweden ..... 782667
- [51] Int. Cl. .... **D8—07**
- [52] U.S. Cl. .... **D8/331**
- [58] Field of Search ..... D8/331, 400; 292/87
- [56] **References Cited**  
**U.S. PATENT DOCUMENTS**  
 3,397,001 8/1968 Friedman ..... 292/87

3,881,758 5/1975 Gross ..... 292/87  
 3,889,992 6/1975 Shelton ..... 292/87

*Primary Examiner*—James M. Gandy  
*Attorney, Agent, or Firm*—Pennie & Edmonds

[57] **CLAIM**

The ornamental design for catch assembly for drawers and cupboards, substantially as shown and described.

**DESCRIPTION**

FIG. 1 is a perspective view of a catch assembly for drawers and cupboards showing my new design; FIG. 2 is a perspective view of one of the members of the assembly, it being understood that the other member has been omitted for convenience of illustration; FIG. 3 is a rear perspective view of FIG. 2; FIG. 4 is a perspective view of the second member of the assembly, it being understood that the first member has been omitted for convenience of illustration; and FIG. 5 is a rear perspective view of FIG. 4.

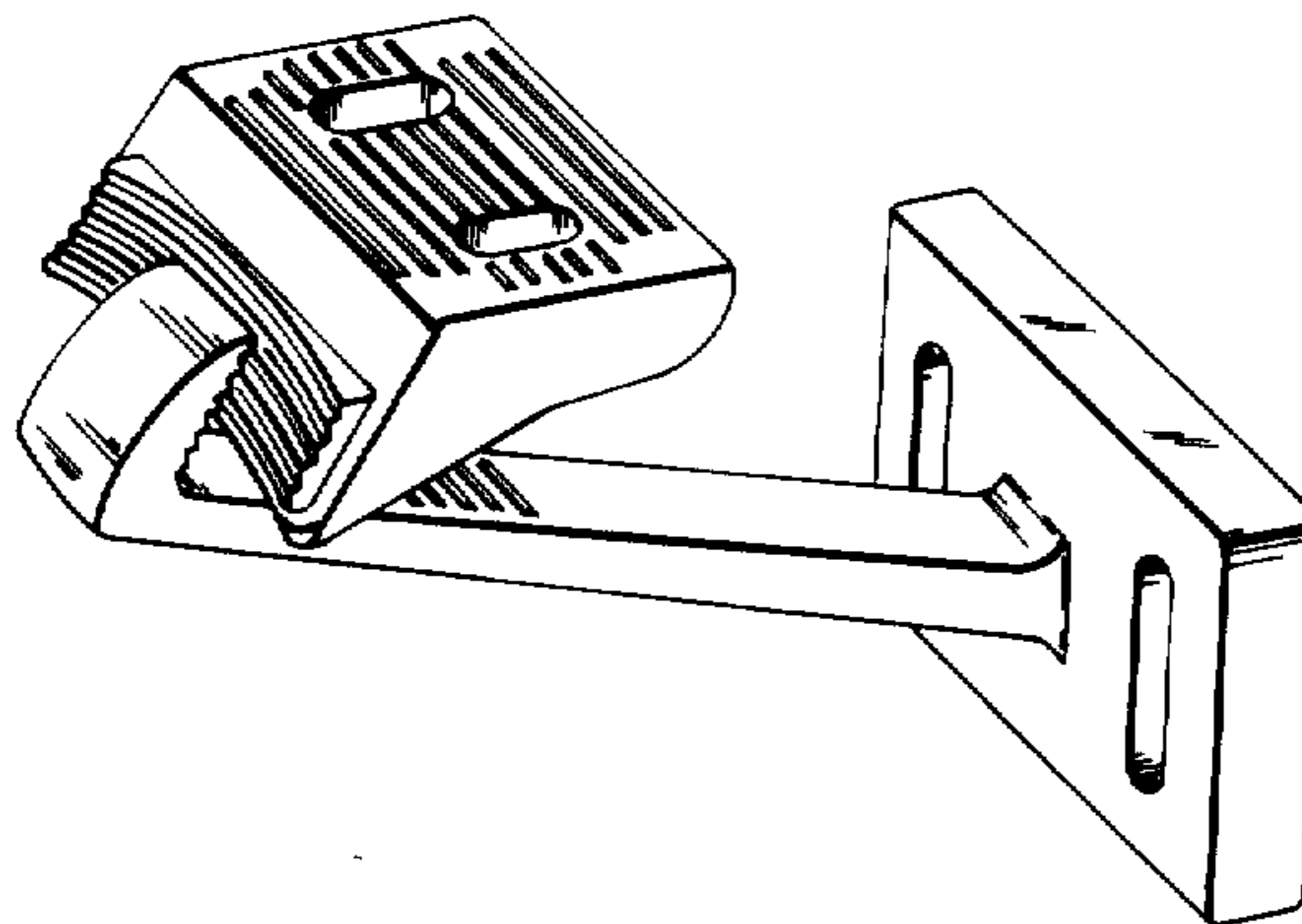


FIG. 1

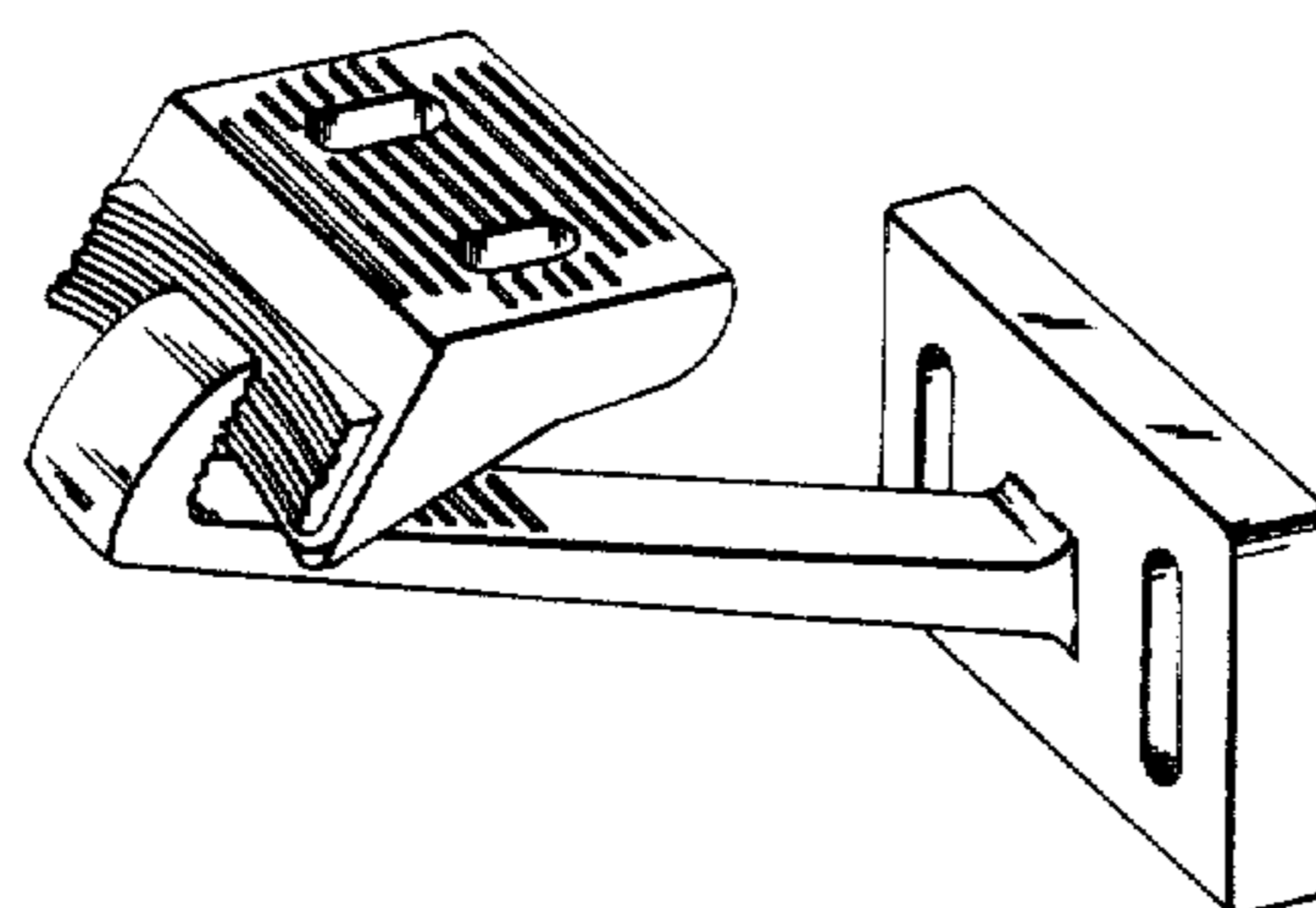


FIG. 2

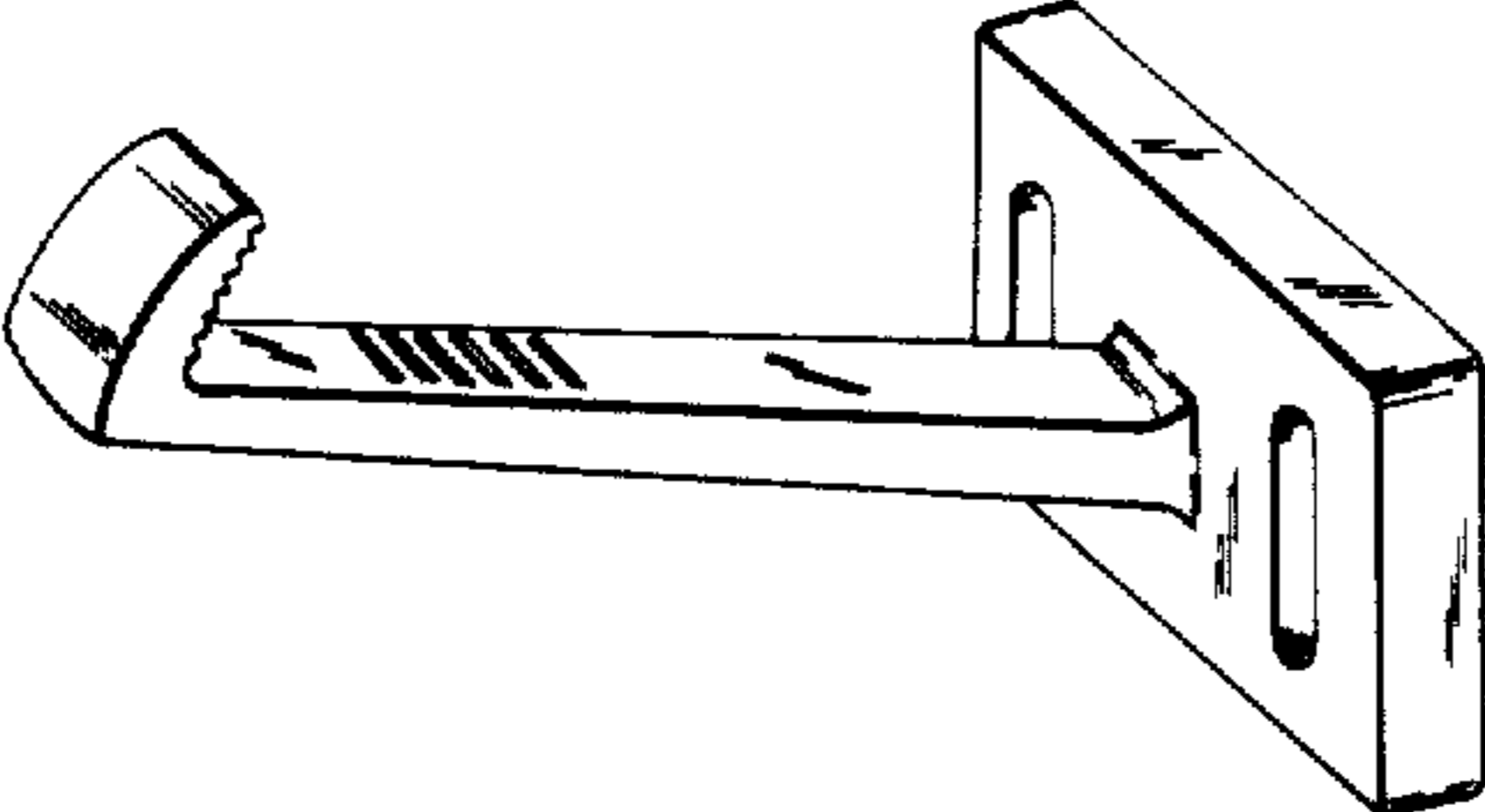


FIG. 3

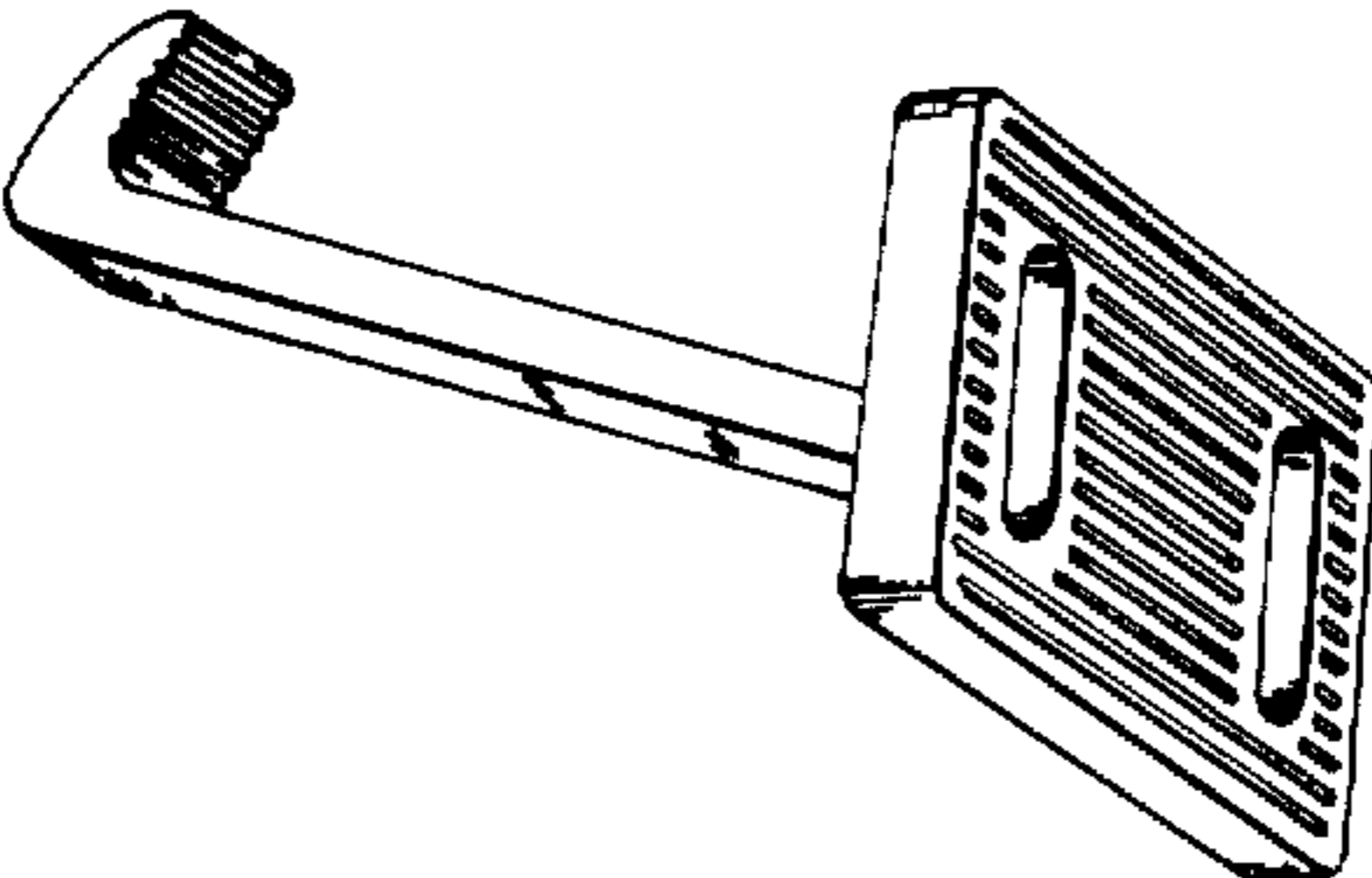


FIG. 4

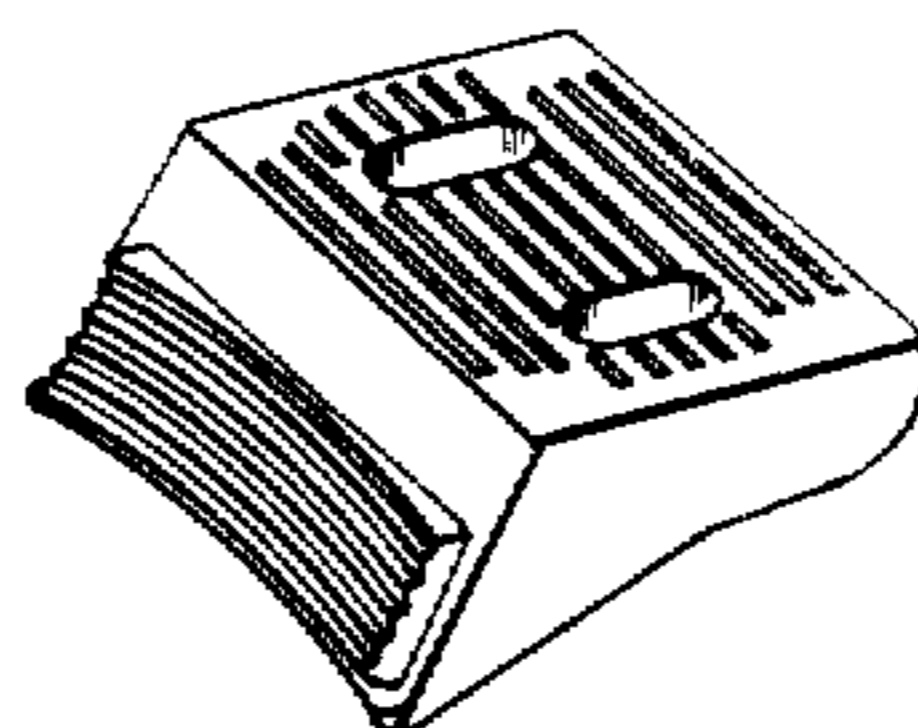


FIG. 5

