

[54] **CARD EJECTOR HANDLE FOR A PRINTED CIRCUIT BOARD OR SIMILAR ARTICLE**

D. 227,326 6/1973 Venuta D6/142
1,451,315 4/1923 Avery 24/241 SP
3,398,424 8/1968 Cruxson et al. 16/150

[75] Inventor: **Donald L. Clemens**, The Colony, Tex.

Primary Examiner—George P. Word
Attorney, Agent, or Firm—Kanz & Timmons

[73] Assignee: **Thermalloy Incorporated**, Dallas, Tex.

[57] **CLAIM**

[**] Term: **14 Years**

The ornamental design for a card ejector handle for a printed circuit board or similar article, substantially as shown and described.

[21] Appl. No.: **120,578**

DESCRIPTION

[22] Filed: **Feb. 11, 1980**

[51] Int. Cl. **D8—06**

[52] U.S. Cl. **D8/306; D8/307; D19/99**

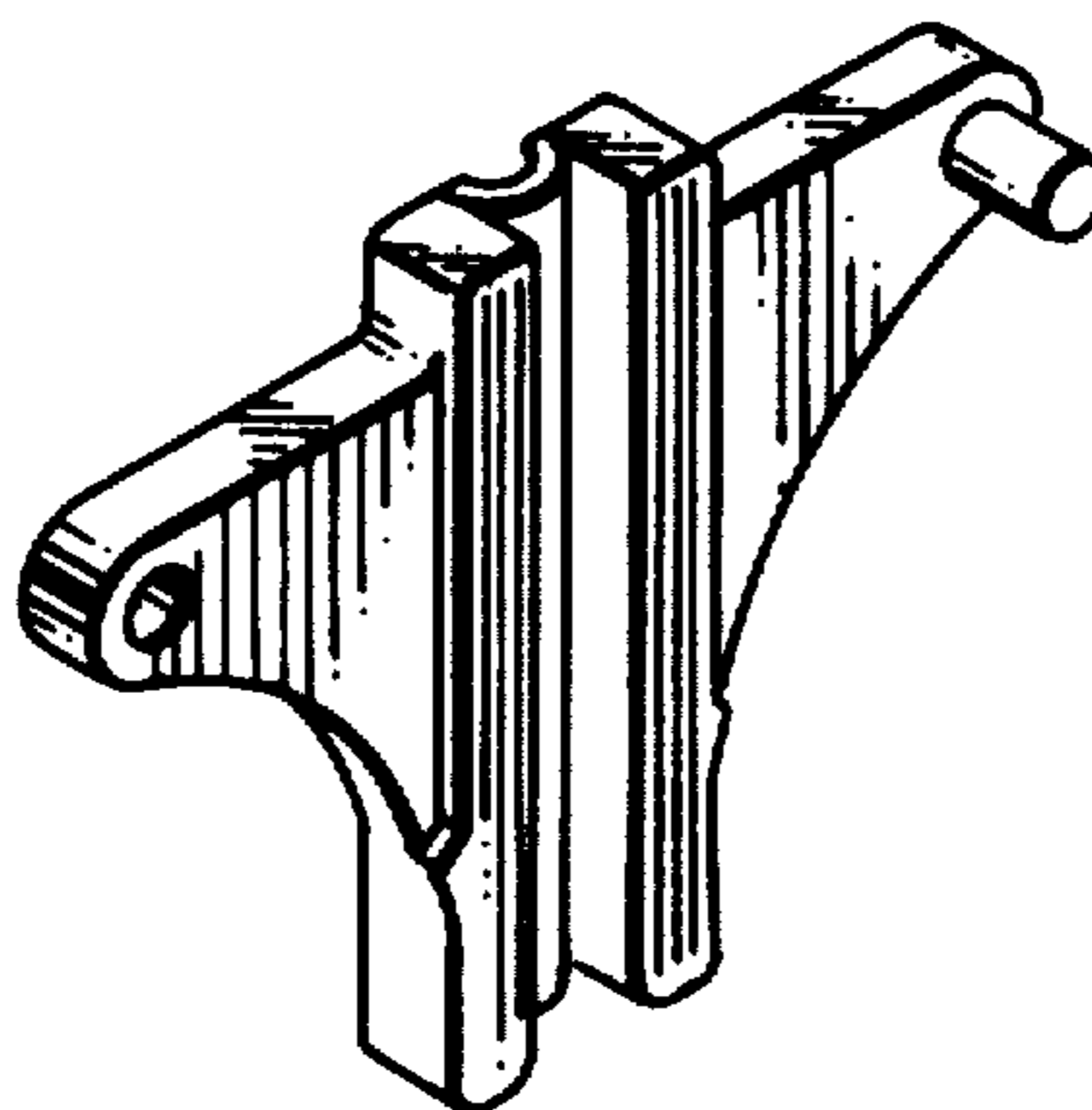
[58] **Field of Search** D19/99, 100; D8/300, D8/306, 44; D6/142; 174/68.5; 16/110 R, 112, 114 R, 150, 128, DIG. 13; D14/43, 46; 24/241 SP; D25/38

FIG. 1 is a perspective view of a card ejector handle for a printed circuit board or similar article showing my new design;
FIG. 2 is a rear elevational view thereof;
FIG. 3 is a front elevational view thereof;
FIG. 4 is a right side elevational view thereof;
FIG. 5 is a side elevational view of the opposite side thereof;
FIG. 6 is a top plan view thereof;
FIG. 7 is a bottom plan view thereof; and
FIG. 8 is a perspective view of the card ejector handle for a printed circuit board shown in the closed condition.

[56] **References Cited**

U.S. PATENT DOCUMENTS

D. 117,800 11/1939 Sawicki D8/306



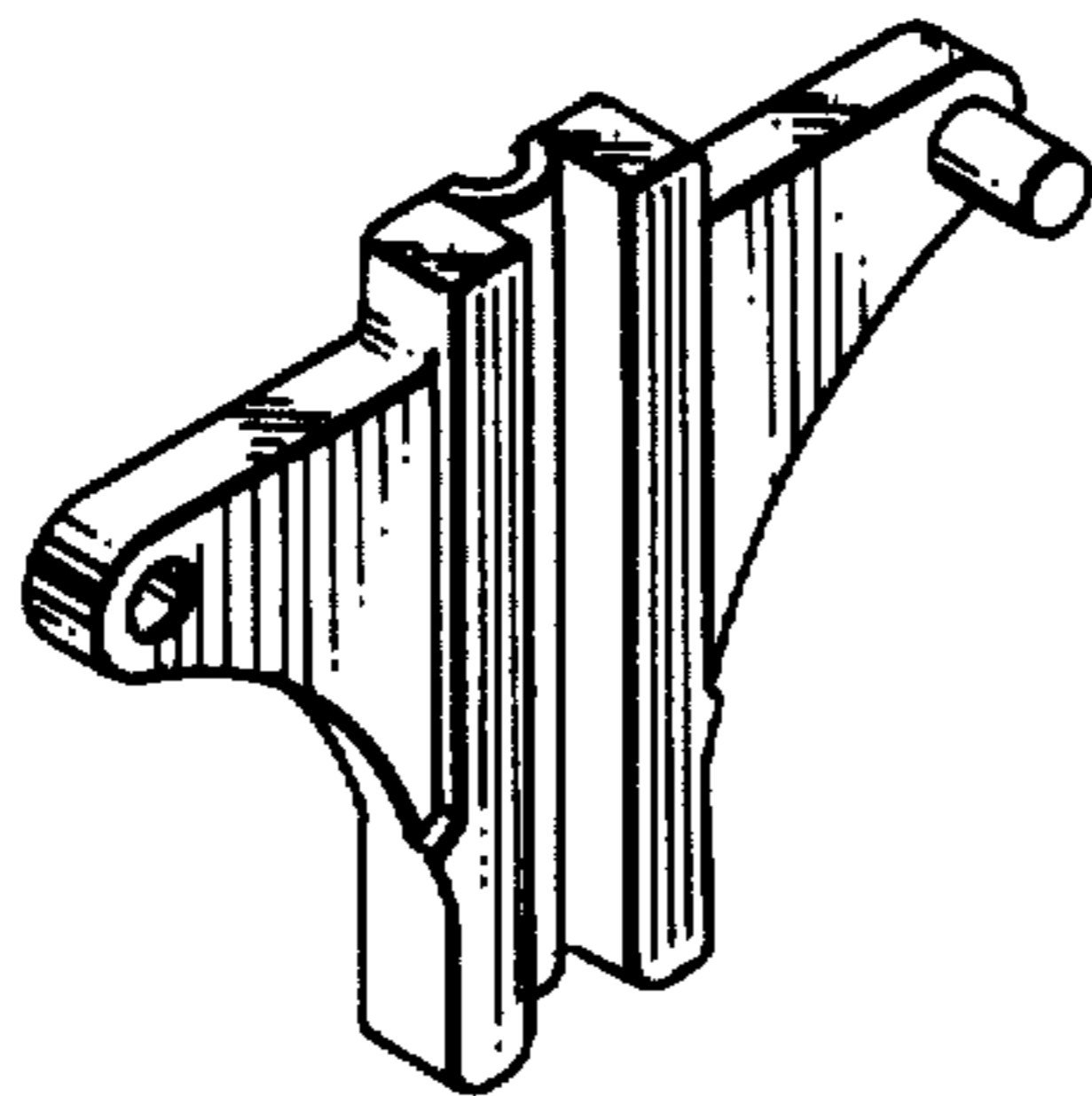


FIG. 1

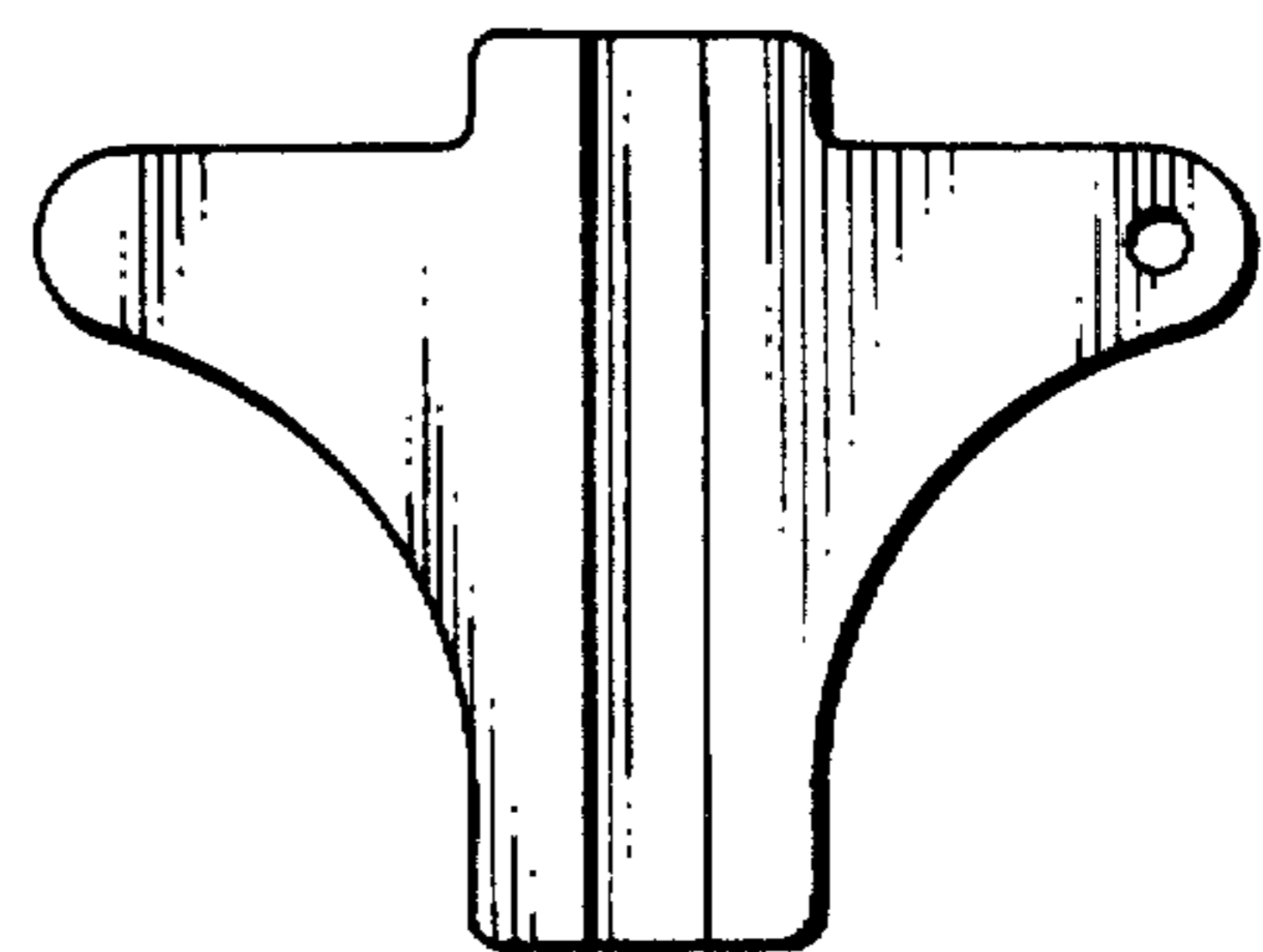


FIG. 2

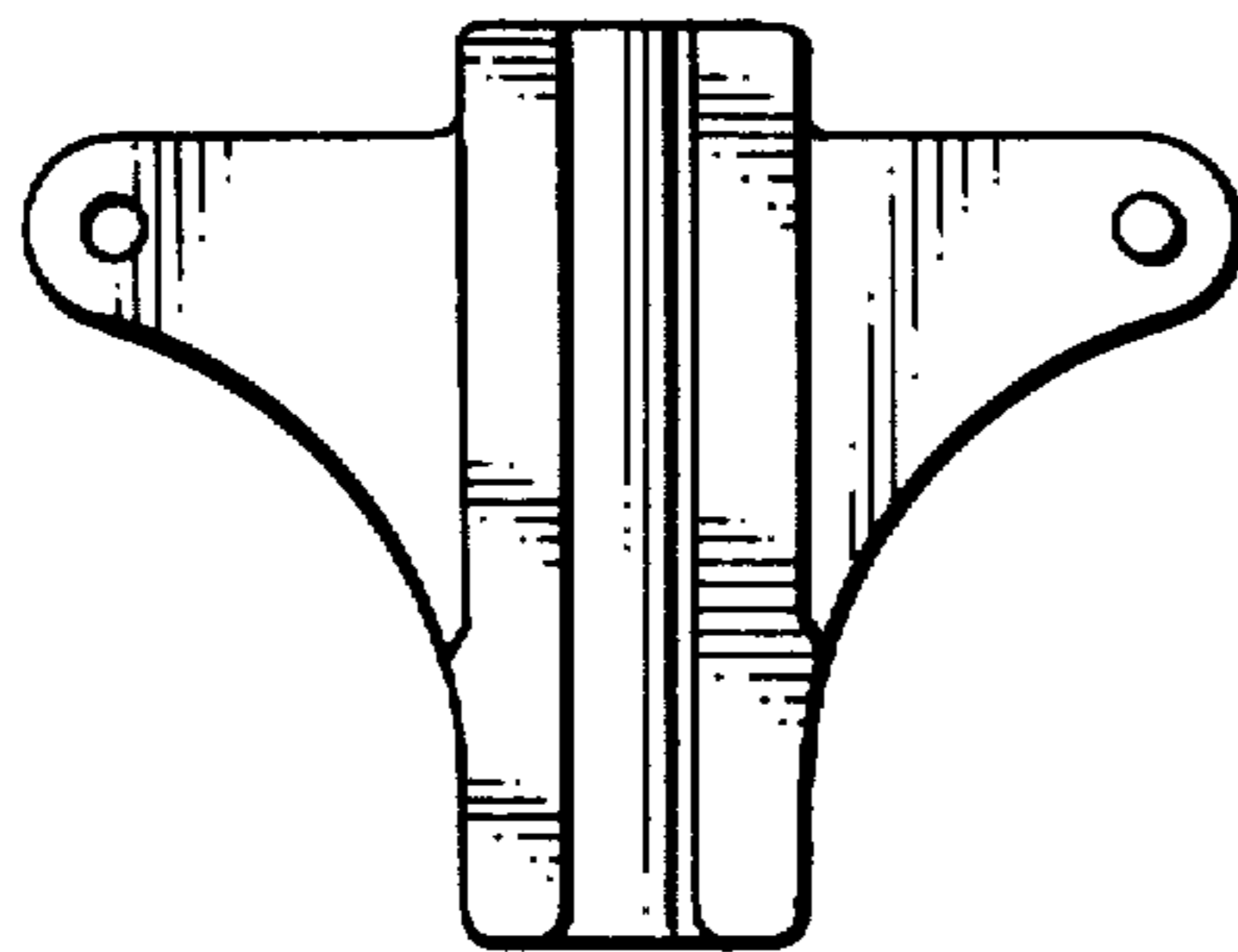


FIG. 3

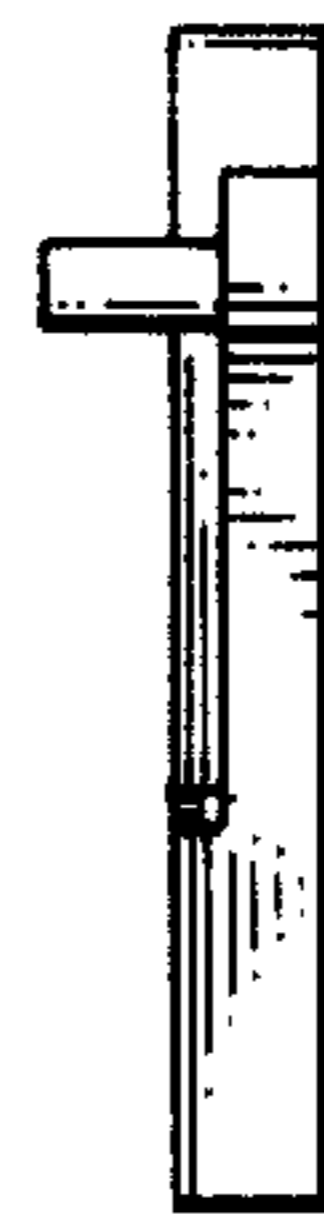


FIG. 4



FIG. 5



FIG. 6



FIG. 7

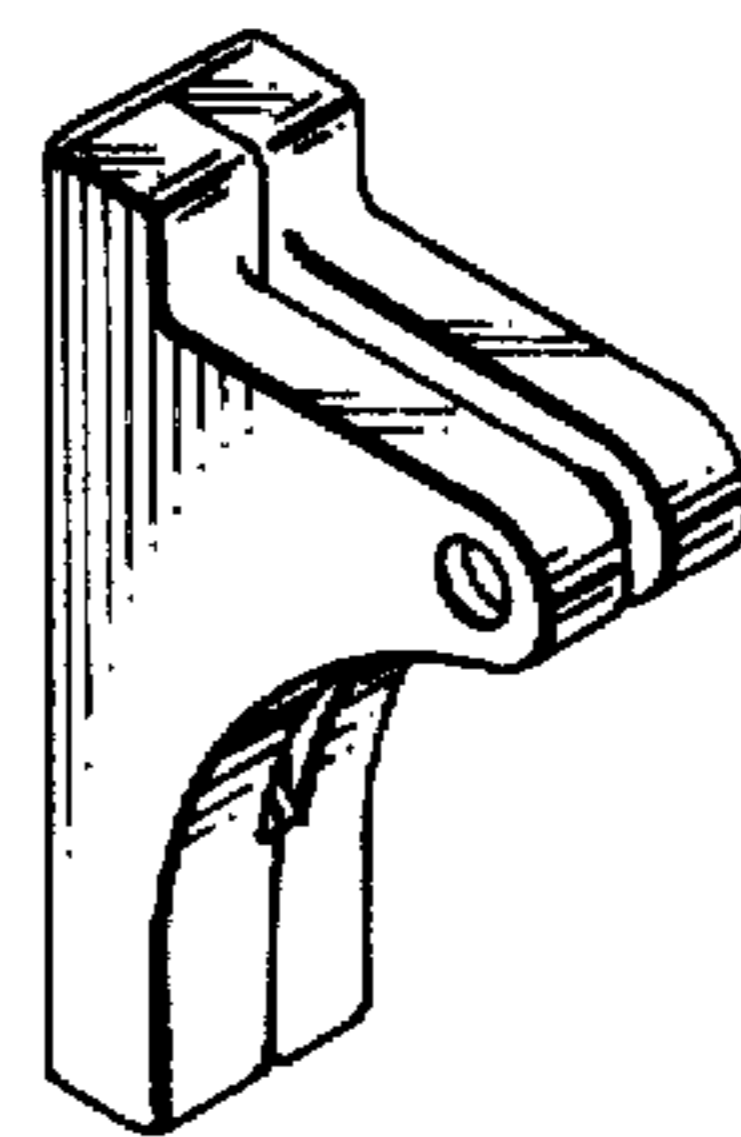


FIG. 8