

[54] MITRE BOX

[75] Inventors: E. Curtis Ambler, Newington;  
Sylvester W. Bies, Bloomfield, both  
of Conn.

[73] Assignee: The Stanley Works, New Britain,  
Conn.

[\*\*] Term: 14 Years

[21] Appl. No.: 42,864

[22] Filed: May 29, 1979

[51] Int. Cl. .... D8-05

[52] U.S. Cl. .... D8/71; 83/763

[58] Field of Search ..... D8/71; 83/760, 762,  
83/763, 766, 767

1,248,866 12/1917 Jacobs ..... 83/763

1,952,518 3/1934 Stowell ..... 83/763

3,811,356 5/1974 Wyler ..... D8/71

3,821,918 7/1974 Niehaus et al. .... D8/71

4,241,634 12/1980 Ambler ..... 83/763

Primary Examiner—Veronica O’Keefe

[57] CLAIM

The ornamental design for a mitre box, as shown.

DESCRIPTION

FIG. 1 is a perspective view of a mitre box showing our new design with the saw guide assembly in one rotated position;

FIG. 2 is a front elevational view with the saw guide assembly pivoted into a right angular position;

FIG. 3 is a rear elevational view thereof;

FIG. 4 is a plan view thereof;

FIG. 5 is a bottom view thereof;

FIG. 6 is an end elevational view thereof; and

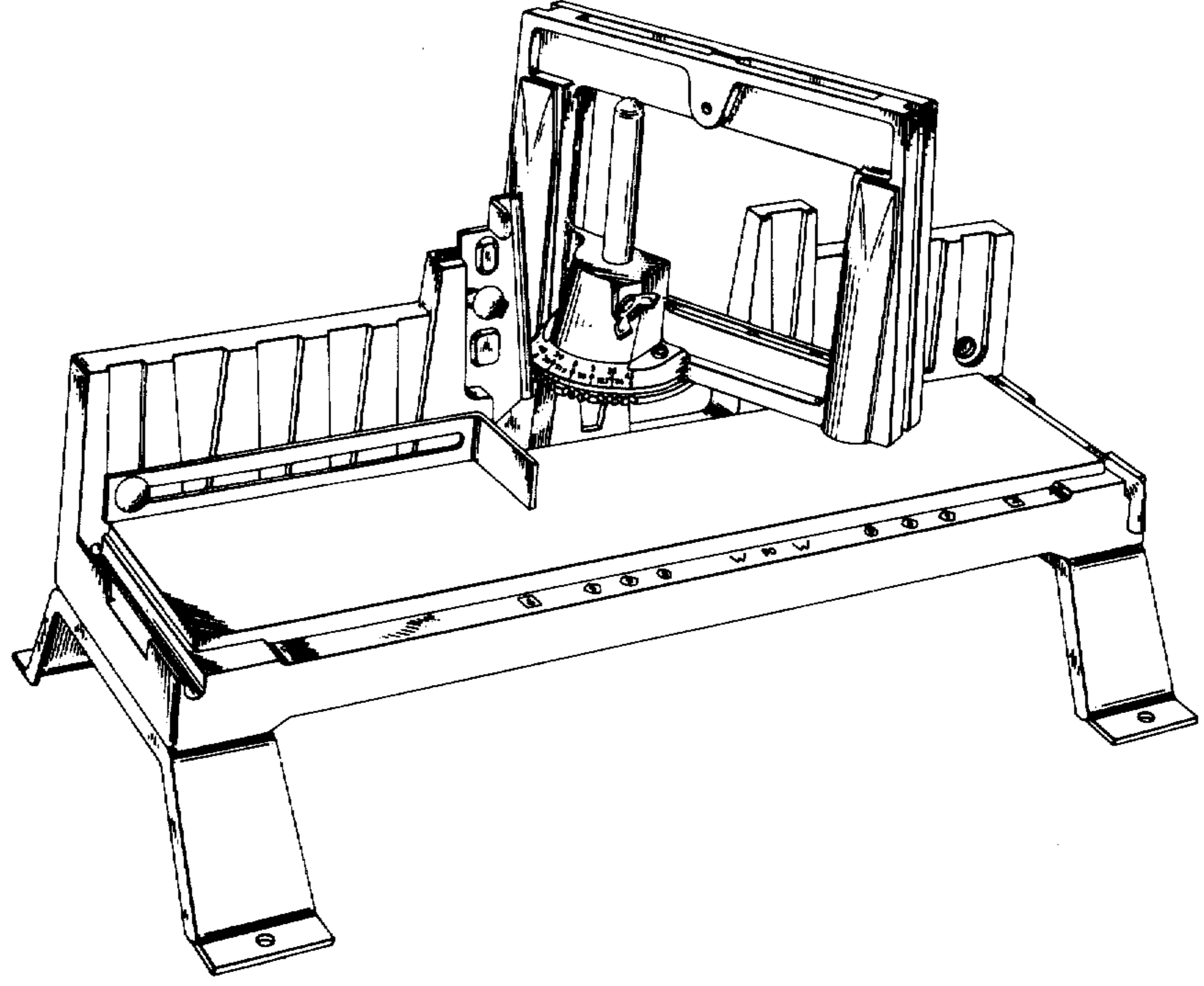
FIG. 7 is an elevational view of the opposite end thereof.

[56] References Cited

U.S. PATENT DOCUMENTS

834,073 10/1906 Parsons ..... 83/760

1,054,876 3/1913 Smith ..... 83/766



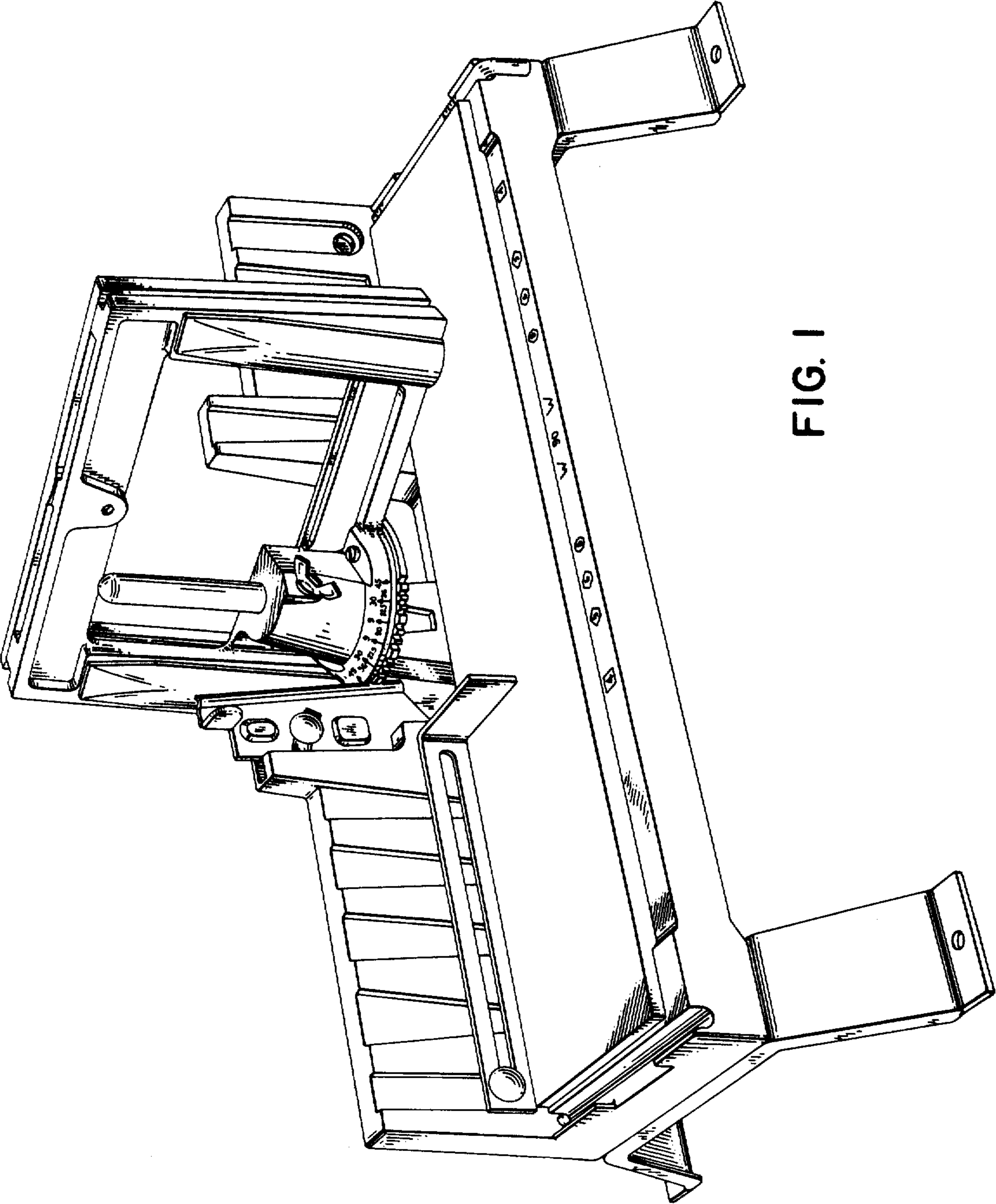


FIG. 1

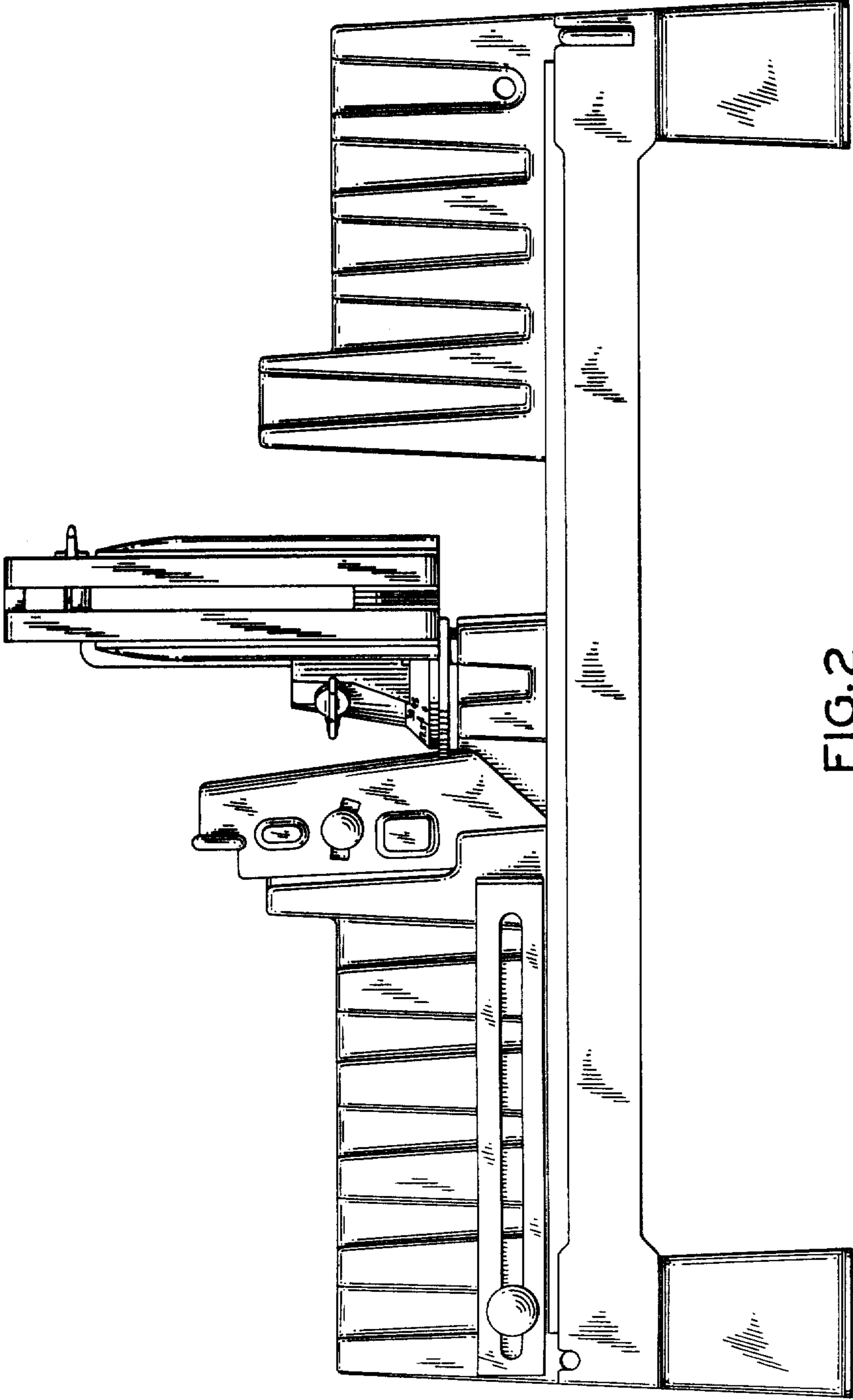


FIG. 2

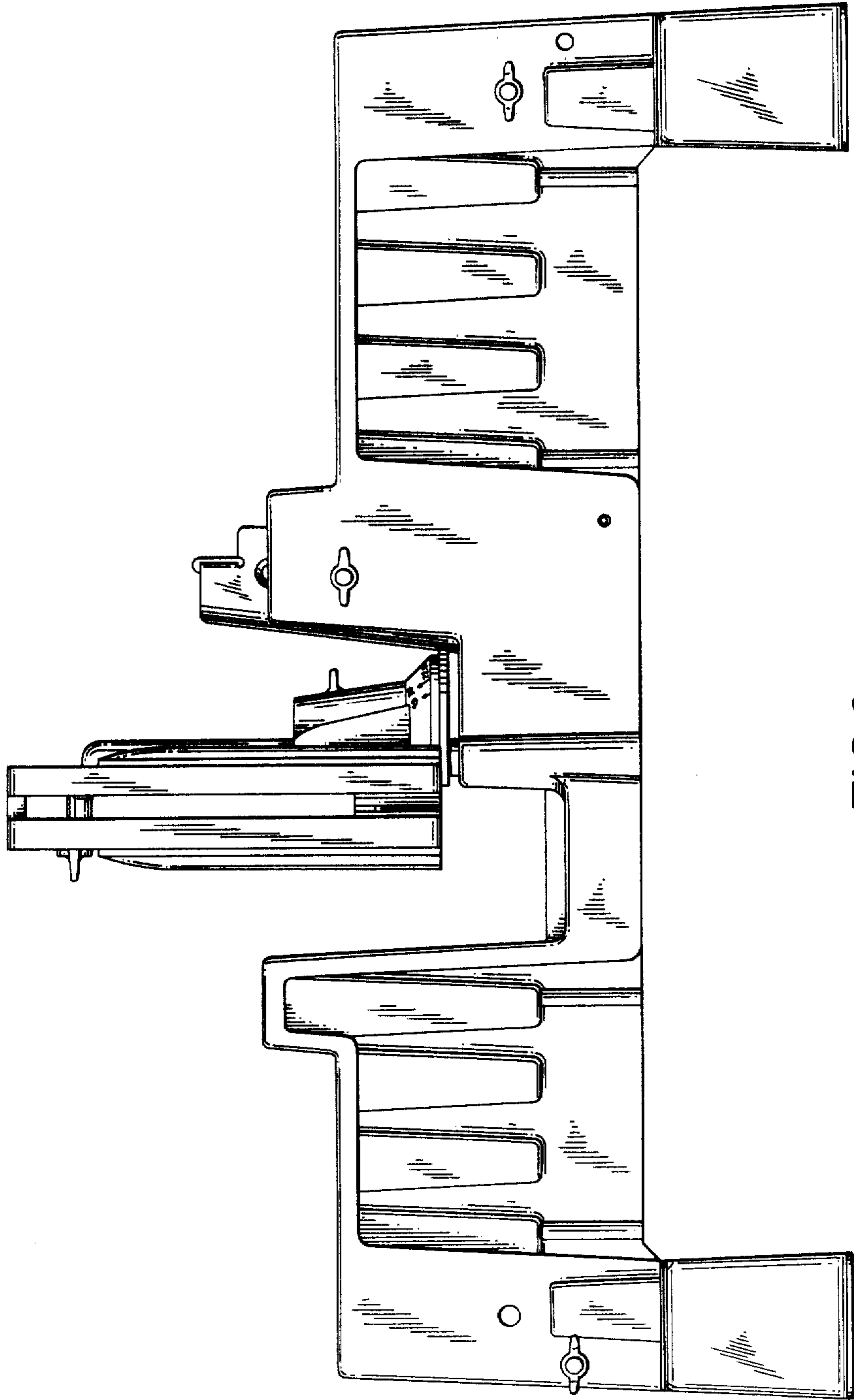


FIG. 3

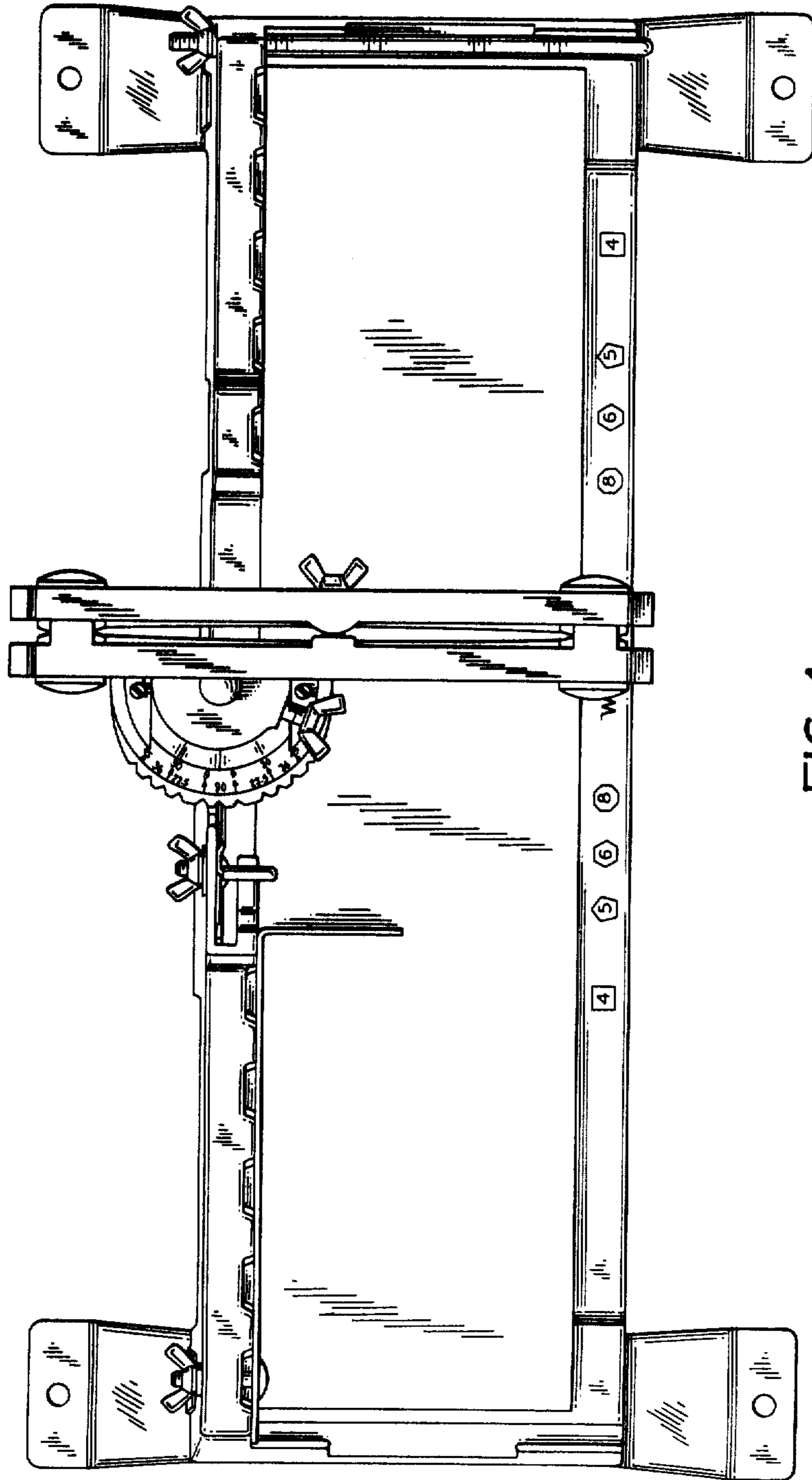


FIG. 4

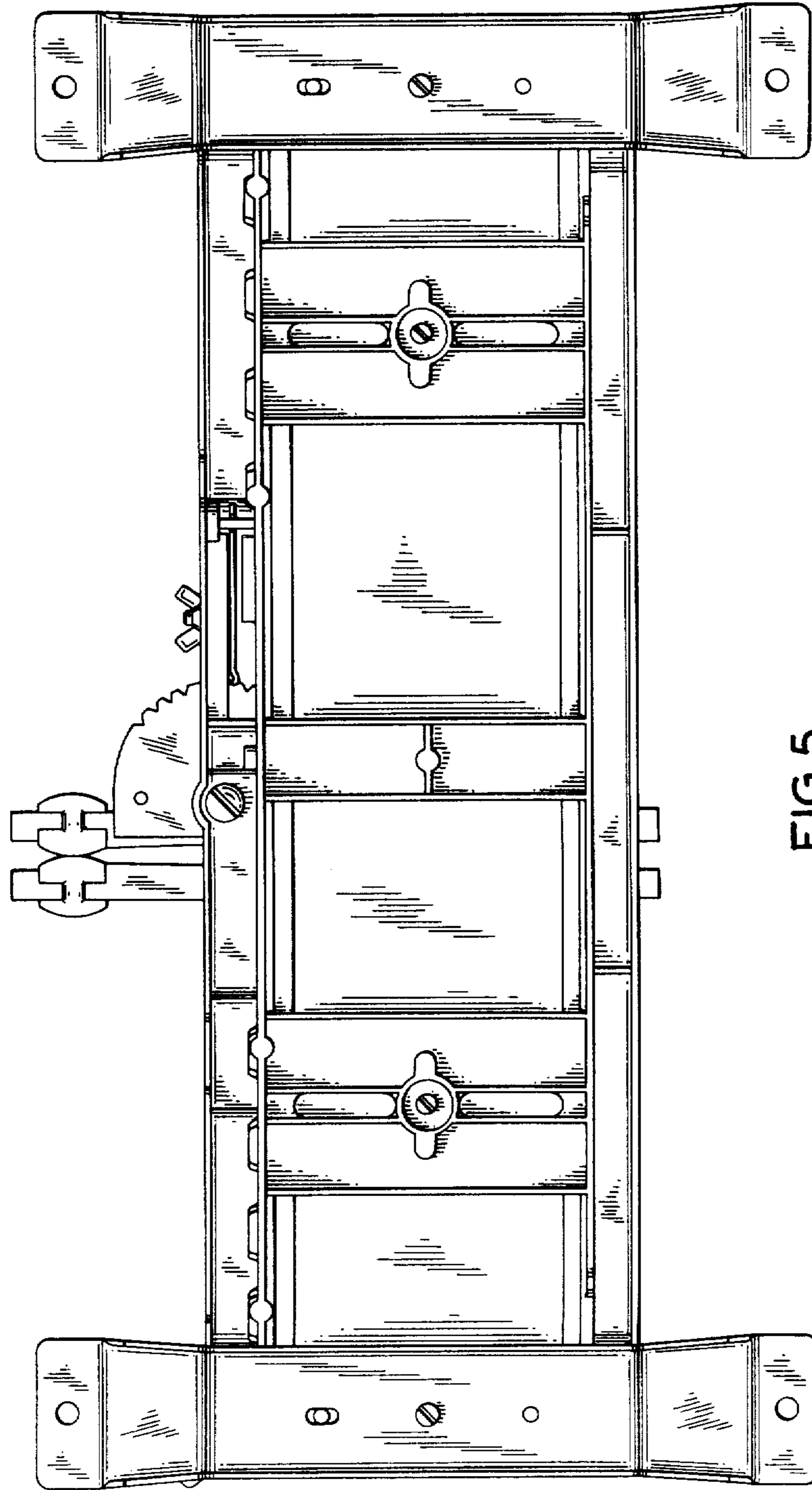


FIG.5

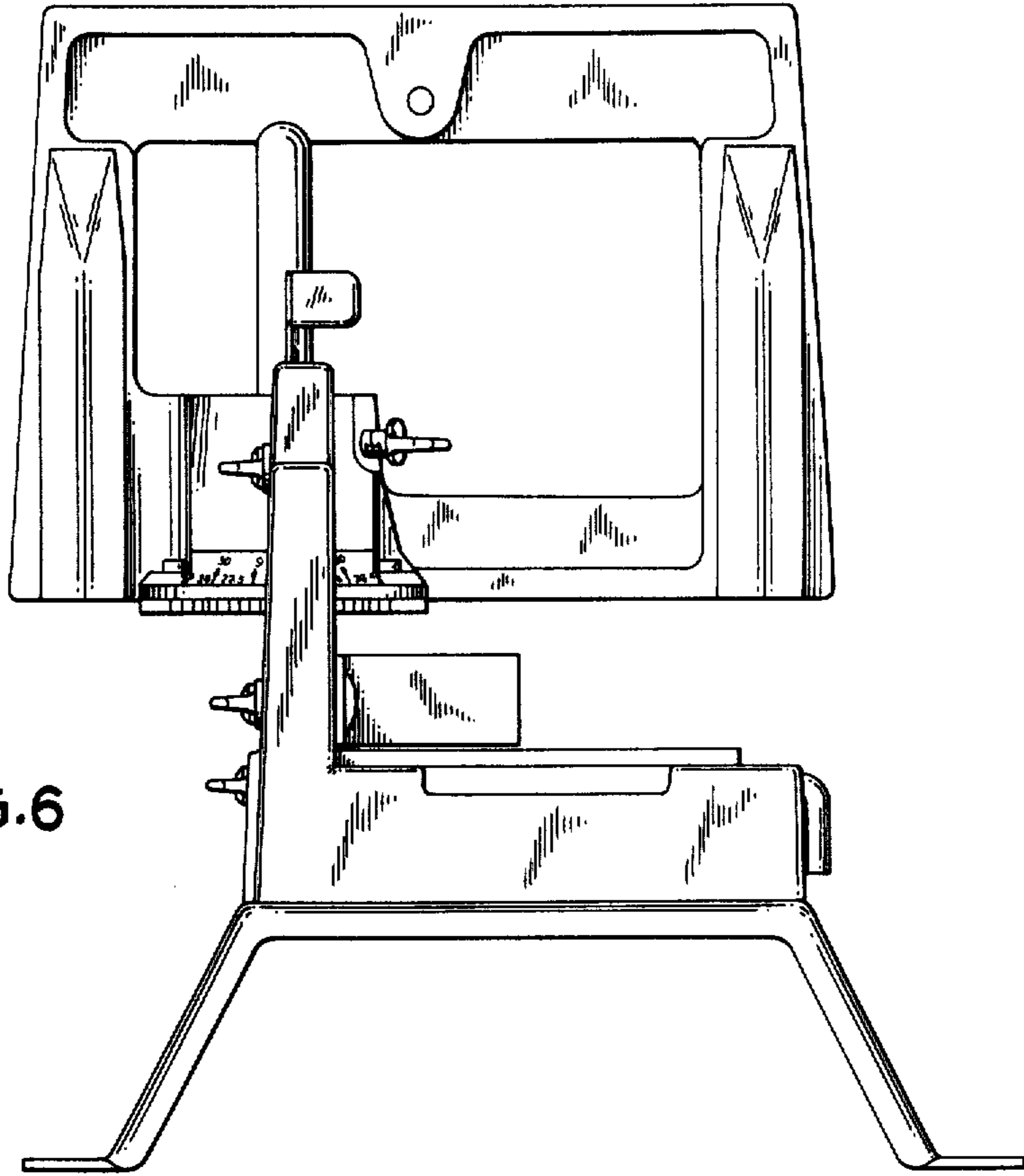


FIG. 6

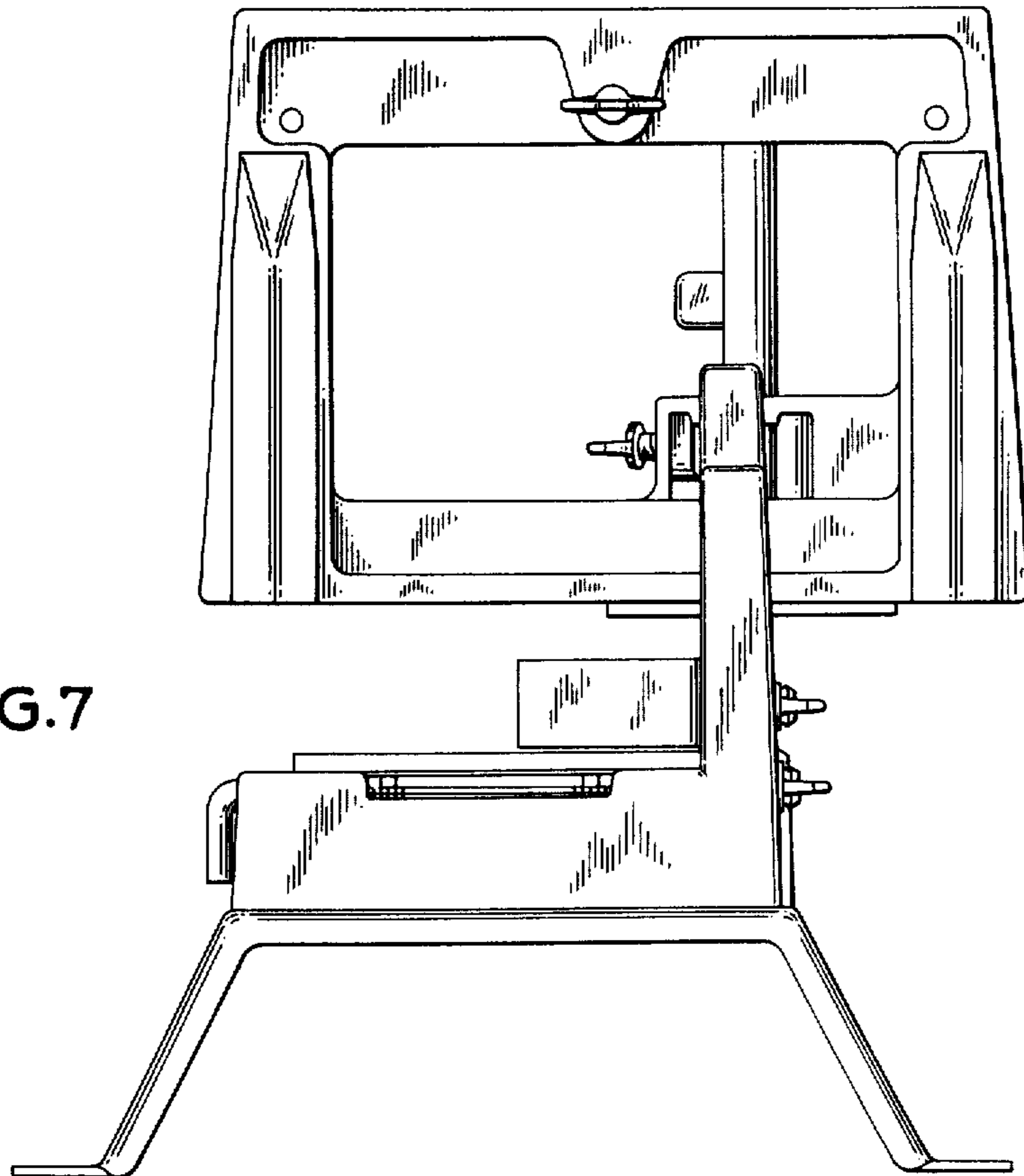


FIG. 7