

[54] **GUIDE WHEEL FOR WELDING TORCHES**

[76] Inventor: **Louis E. Miller**, 409 E. 13th St.,
Odessa, Tex. 79761

[**] Term: **14 Years**

[21] Appl. No.: **70,448**

[22] Filed: **Aug. 28, 1979**

[51] Int. Cl. **D8-05**

[52] U.S. Cl. **D8/30; D8/355**

[58] Field of Search 219/61.3, 125.1, 125.11;
228/45; D8/30, 349, 35, 355

[56] **References Cited**

U.S. PATENT DOCUMENTS

D. 194,803 3/1963 Angel D8/355
1,499,499 7/1924 Bienenstok 219/125.1 X

3,060,770 10/1962 Schnurr et al. D8/70
4,051,342 9/1977 Stubbings 219/125.11 X

Primary Examiner—A. Hugo Word
Attorney, Agent, or Firm—Victor J. Evans & Co.

[57] **CLAIM**

The ornamental design for a guide wheel for welding torches, substantially as shown and described.

DESCRIPTION

FIG. 1 is a side view of a guide wheel for welding torches showing my new design, the broken lines being disclosed for illustrative purposes only.

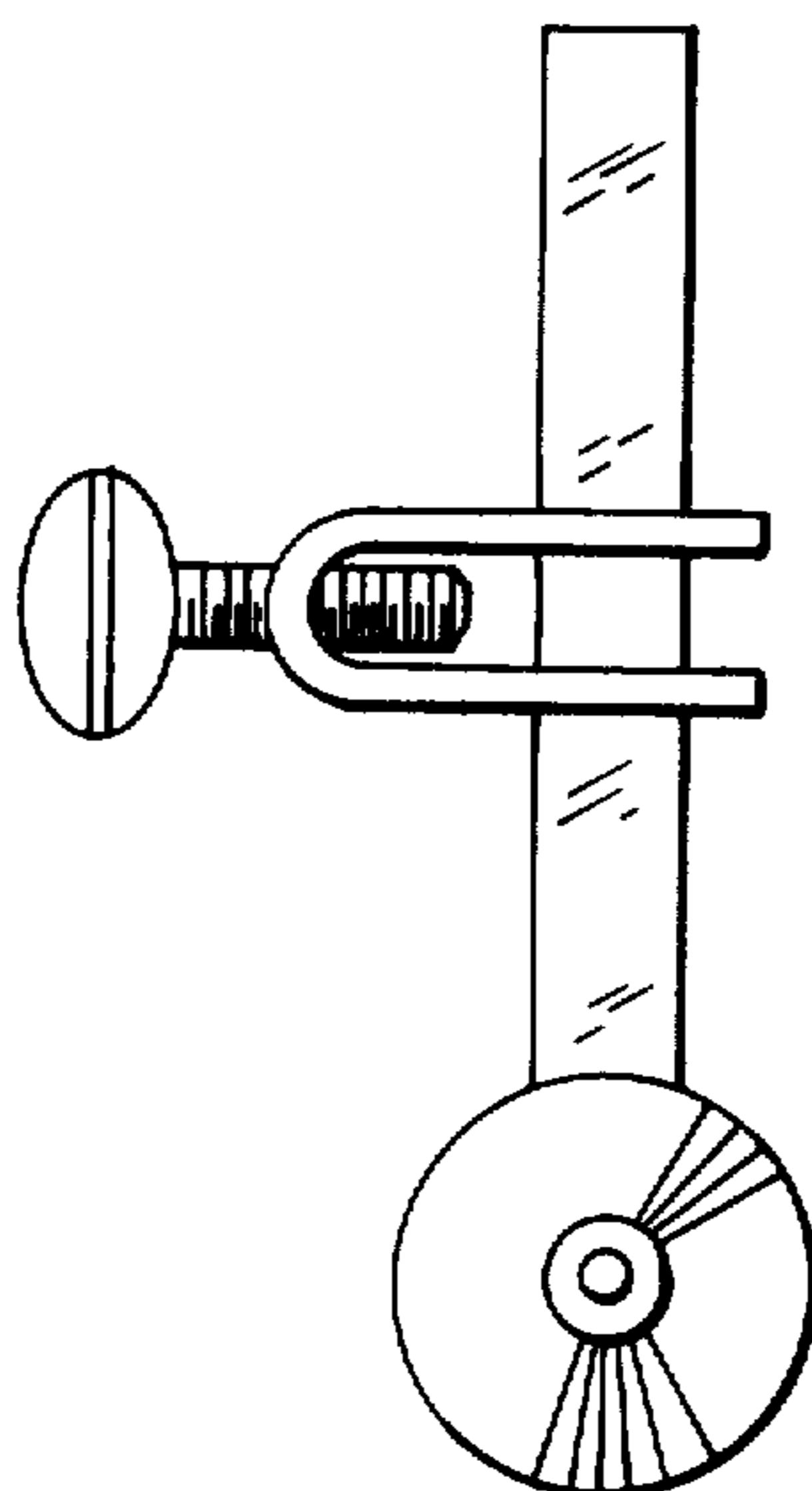
FIG. 2 is a front view of my design;

FIG. 3 is a bottom plan view thereof;

FIG. 4 is side view thereof;

FIG. 5 is a right end view thereof; and

FIG. 6 is a left end view thereof.



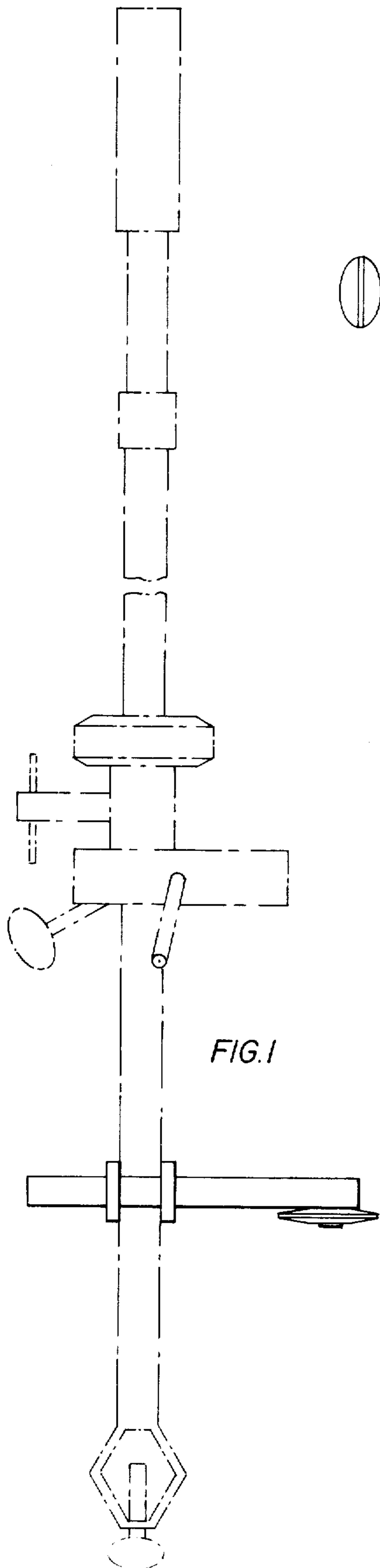


FIG. 2

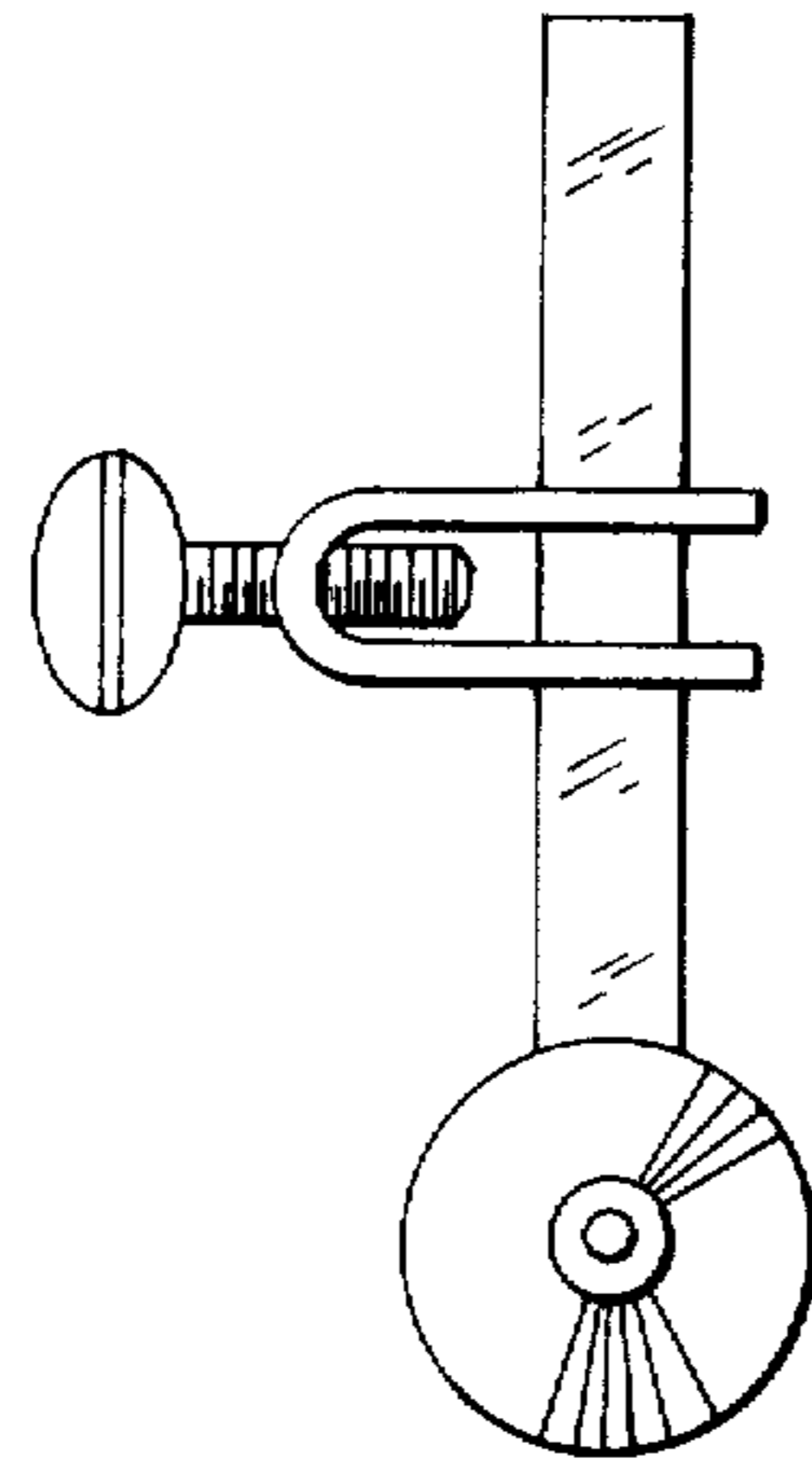


FIG. 3

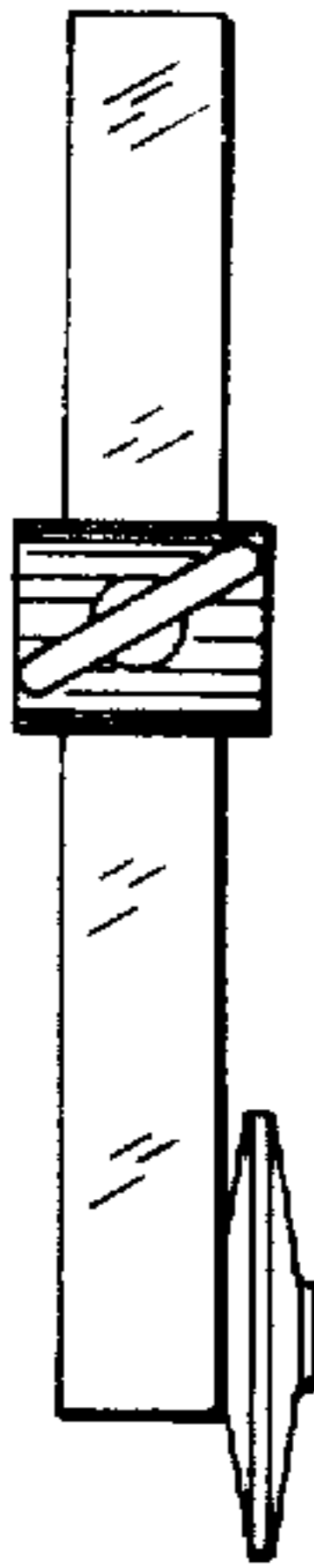


FIG. 4

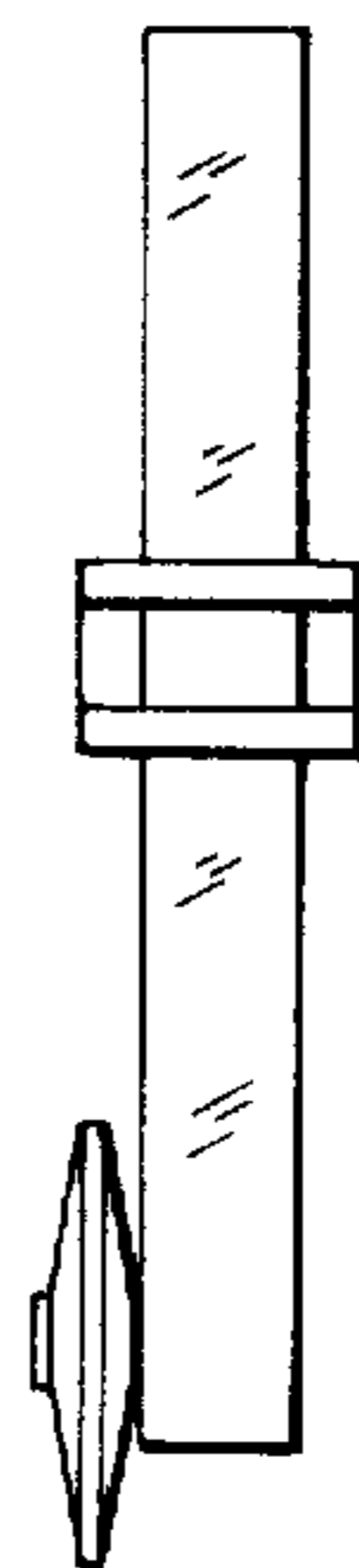


FIG. 5



FIG. 6

