

[54] SNOW SCOOP BODY
 [75] Inventor: William B. Carper, Harvard, Ill.
 [73] Assignee: Suntrak Industries, Inc., Harvard, Ill.
 [**] Term: 14 Years
 [21] Appl. No.: 952,574
 [22] Filed: Oct. 18, 1978
 [51] Int. Cl. D8-01
 [52] U.S. Cl. D8/10
 [58] Field of Search 294/54, 57; 37/53, 41,
 37/130, 134; D8/10; 156/242

4,125,951 11/1978 Huerth 294/54 X
 4,193,626 3/1980 Vondracek 294/54 X

Primary Examiner—Bernard Ansher
 Attorney, Agent, or Firm—McCaleb, Lucas & Brugman

[57] CLAIM

The ornamental design for a snow scoop body, substantially as shown and described.

DESCRIPTION

FIG. 1 is a front, top perspective view of a snow scoop body showing my new design;
 FIG. 2 is a rear elevation thereof;
 FIG. 3 is a top plan view thereof;
 FIG. 4 is a side elevation thereof;
 FIG. 5 is a bottom plan view thereof; and
 FIG. 6 is a front elevation thereof.
 The broken lines representing the handle member are shown for environment only.

[56] References Cited
 U.S. PATENT DOCUMENTS
 D. 178,868 10/1956 Cook D8/10
 D. 214,636 7/1969 Zahler D8/10
 543,910 8/1965 Torr D8/10 X

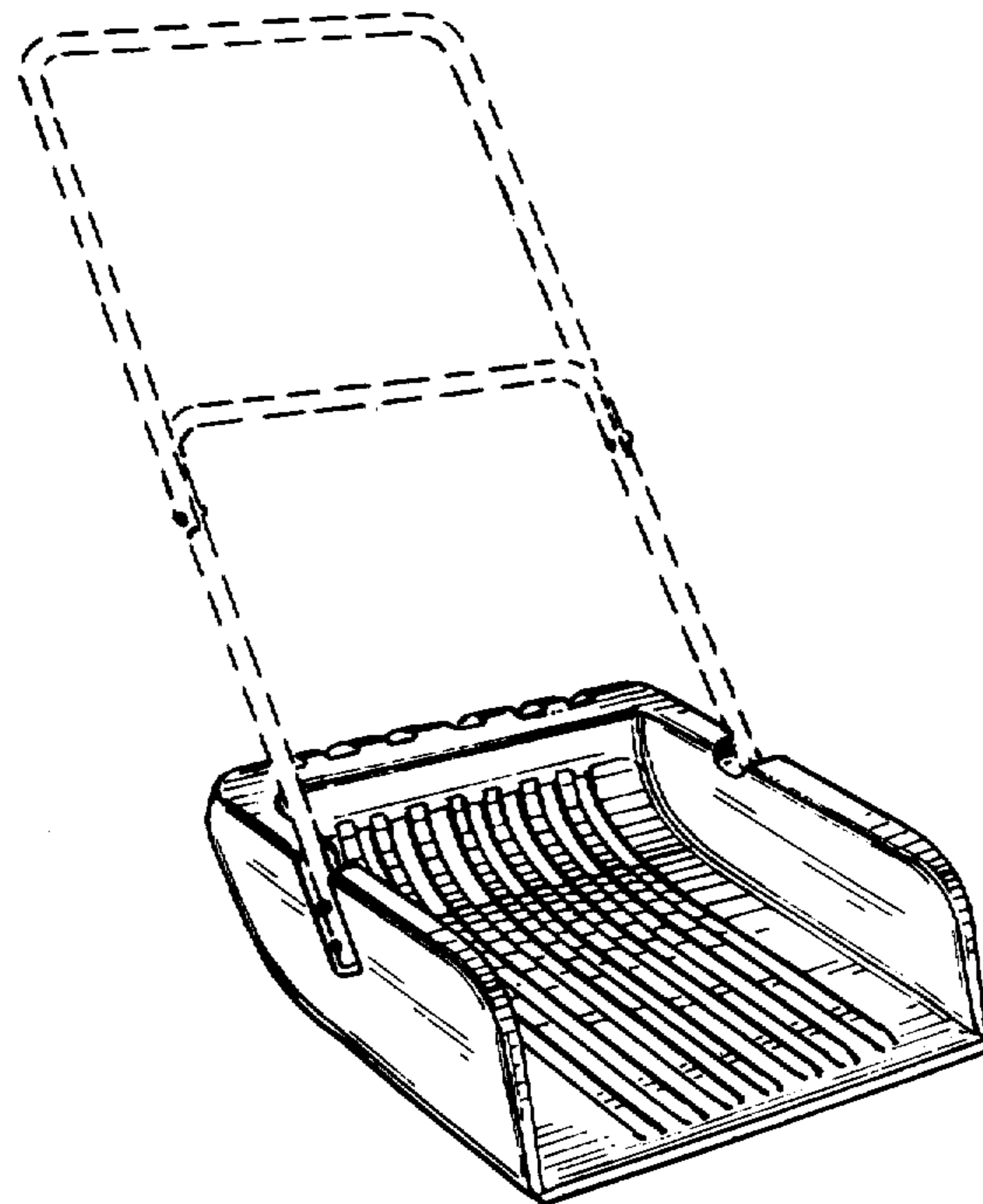


Fig. 1.

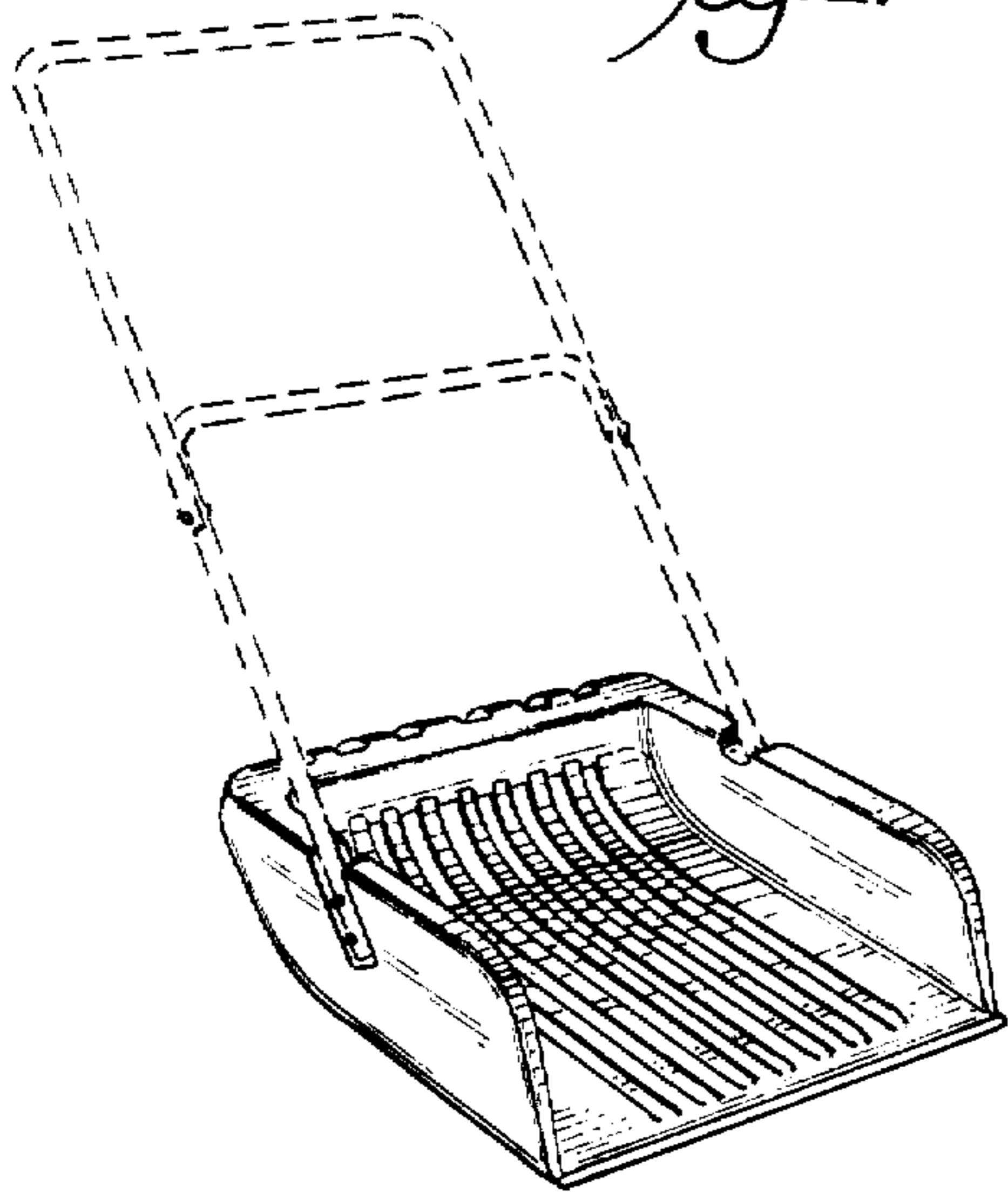


Fig. 2.

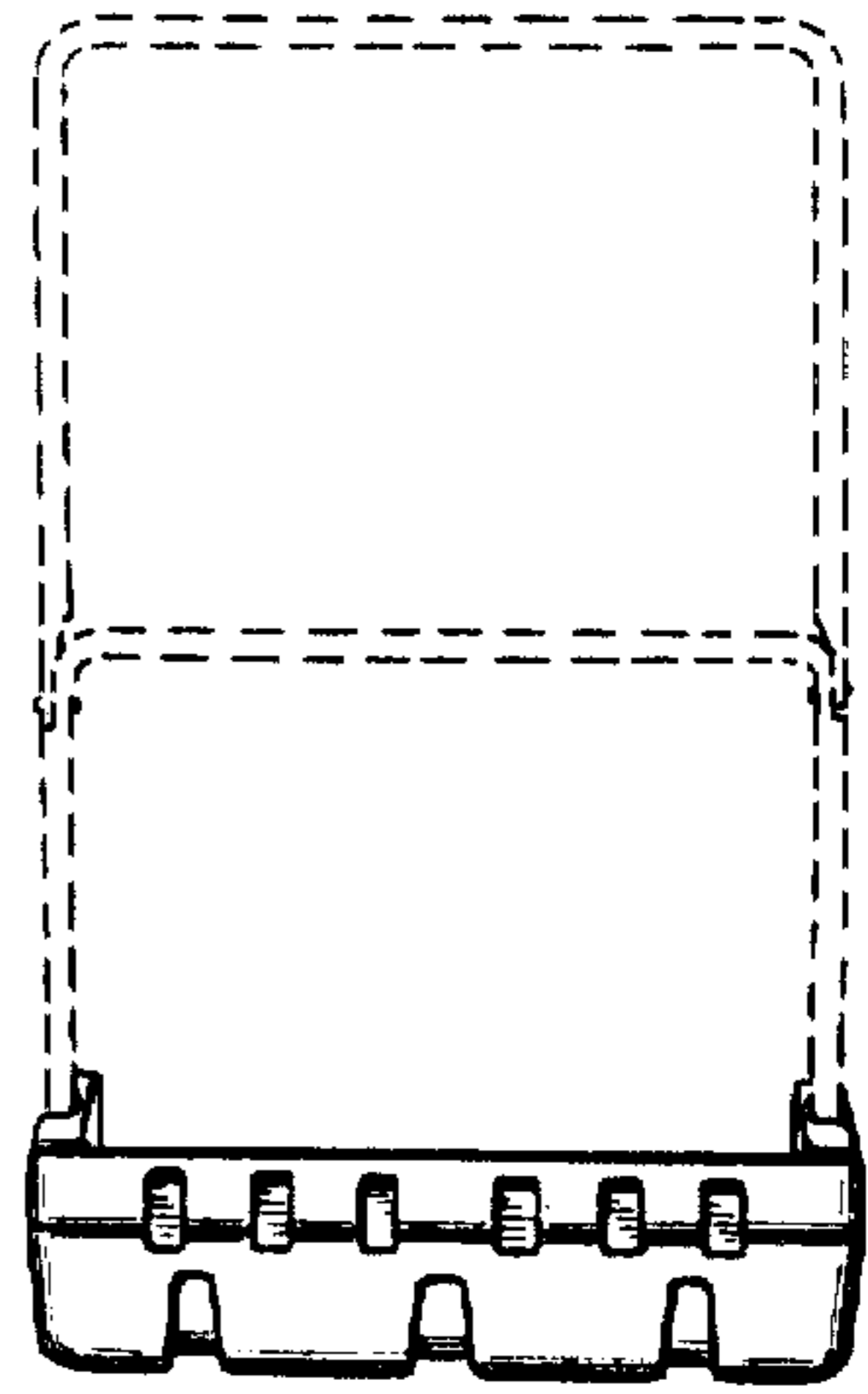


Fig. 3.

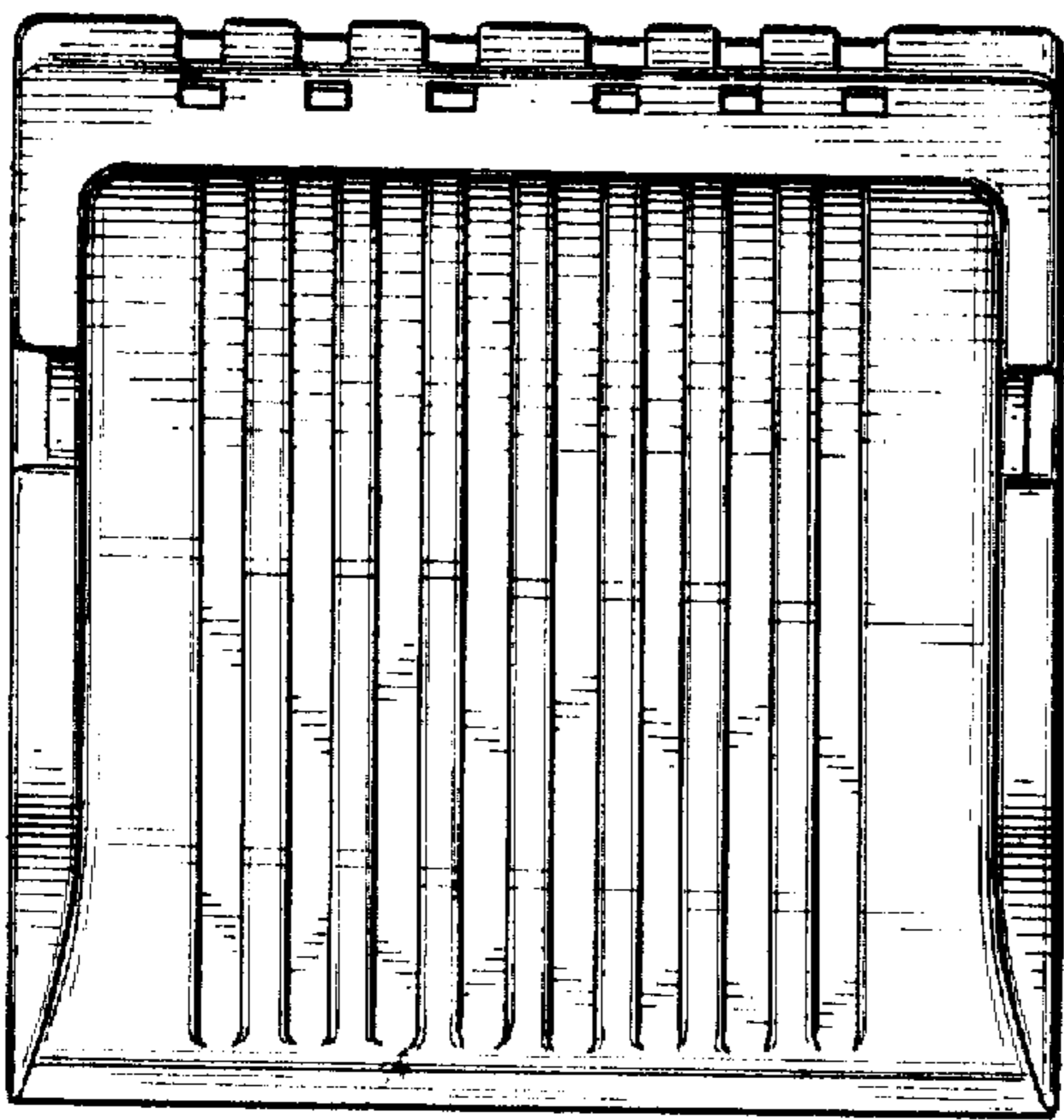


Fig. 4.

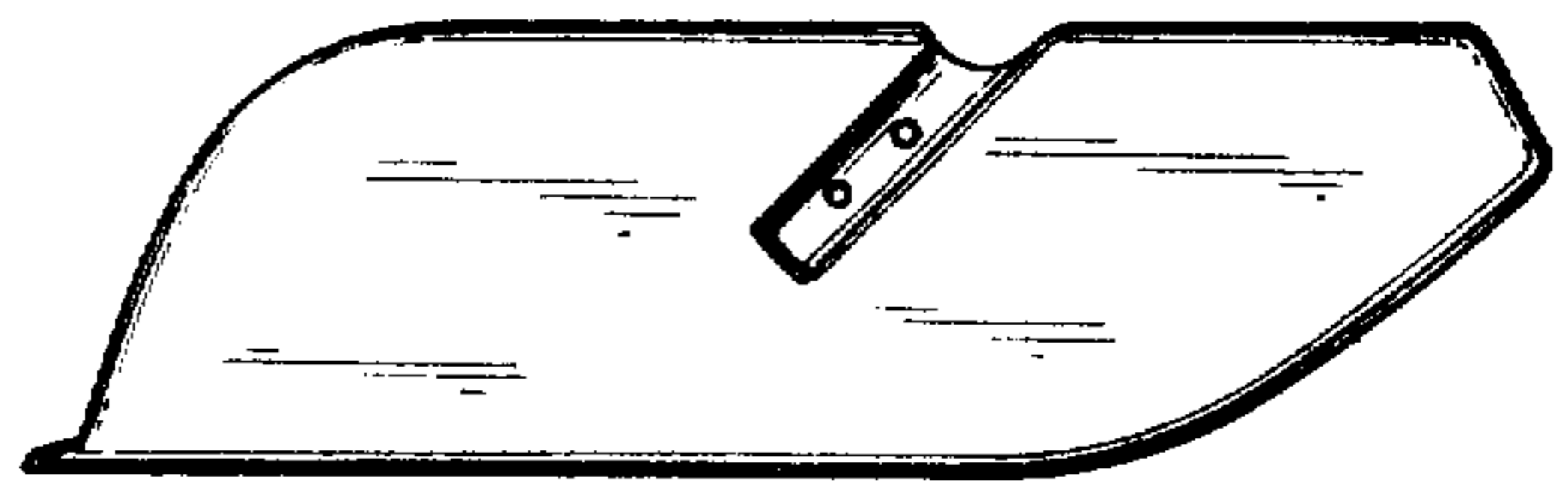


Fig. 5.

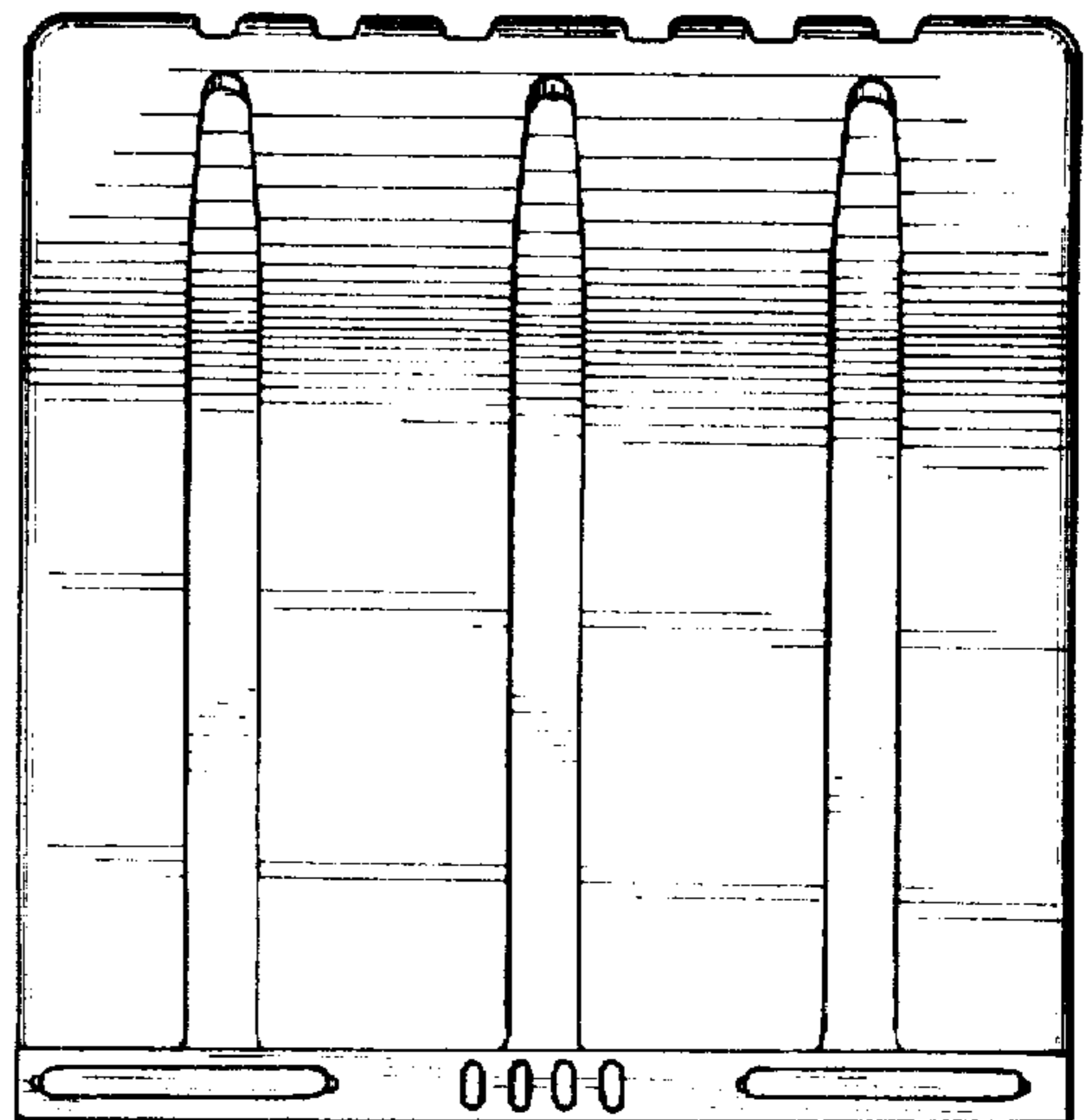


Fig. 6.

