

[54] **POT COVER HANDLE**

[75] Inventor: **Theophil Ryser**, Beckenried,  
Switzerland

[73] Assignee: **AMC International Alfa Metalcraft Corporation AG**, Rotkreuz,  
Switzerland

[\*\*] Term: **14 Years**

[21] Appl. No.: **62,866**

[22] Filed: **Aug. 1, 1979**

[51] Int. Cl. .... **D07-02**

[52] U.S. Cl. .... **D7/132; D8/310**

[58] Field of Search ..... **D8/310, 312; D7/132, D7/85, 131, 40, 97; D9/254, 264**

D. 212,379 10/1968 Dudas et al. .... D7/132  
 D. 232,412 8/1974 Schmitt ..... D7/97  
 3,252,404 5/1966 Cox ..... D7/40 X

**OTHER PUBLICATIONS**

*Industrial Design*, Mar. 1962, p. 90, Revere Skillet.  
*Housewares Review*, 1-69, p. 28, Circa 21 by Vollrath,  
 Cover Knob, top r. panel.

*Primary Examiner*—Winifred E. Herrmann  
*Attorney, Agent, or Firm*—Pollock, Vande Sande &  
 Priddy

**CLAIM**

The ornamental design for a pot cover handle, as shown and described.

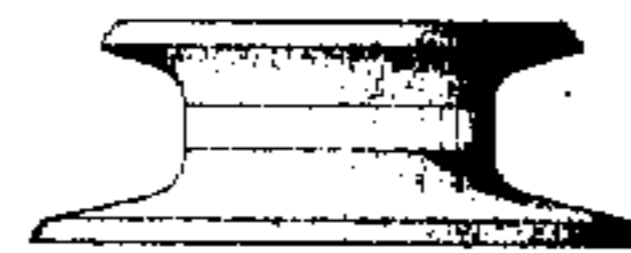
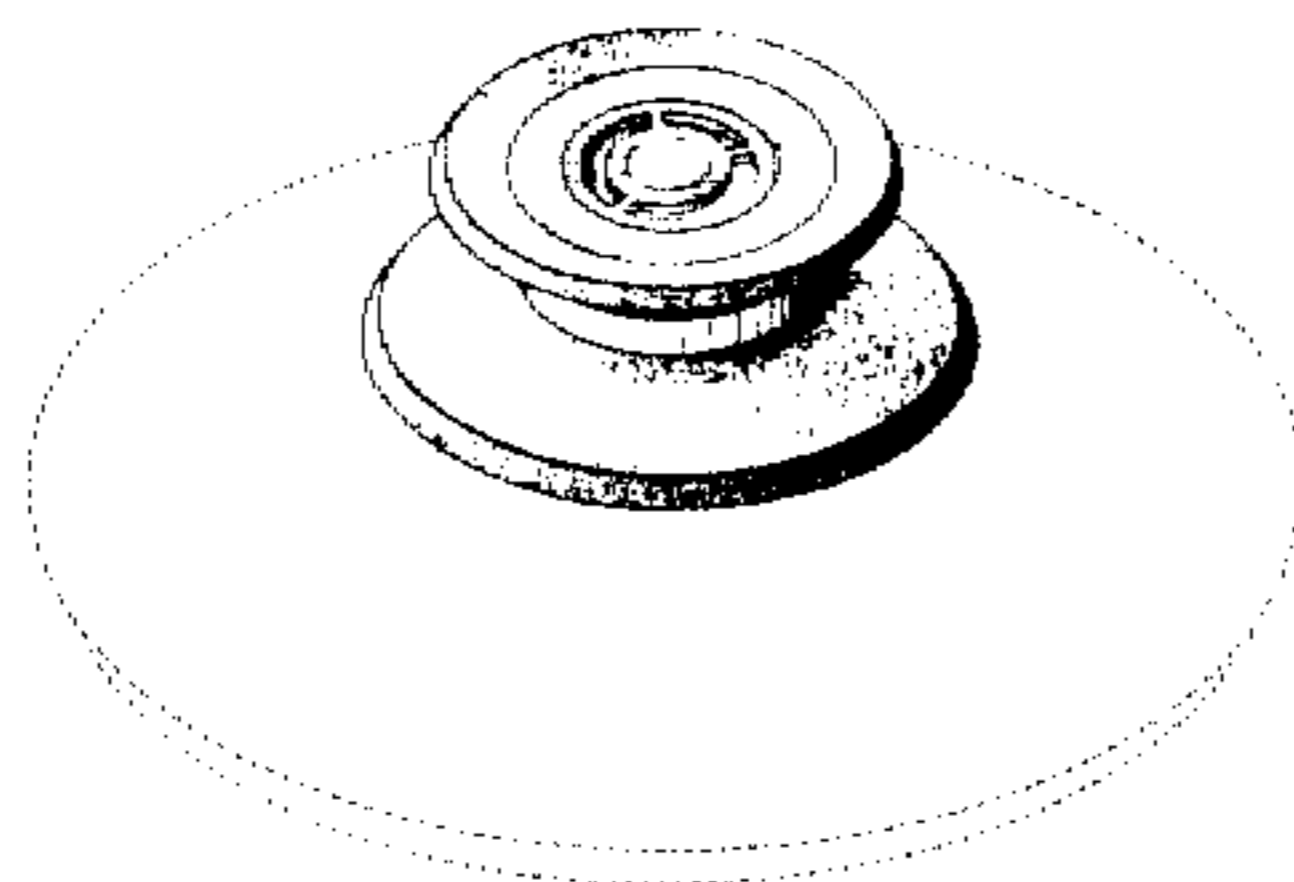
**DESCRIPTION**

FIG. 1 is a perspective view of a pot cover handle showing my new design, the broken line showing of the cover being for illustrative purposes only;  
 FIG. 2 is a top plan view thereof;  
 FIG. 3 is a side elevation view thereof; and  
 FIG. 4 is a bottom plan view thereof.

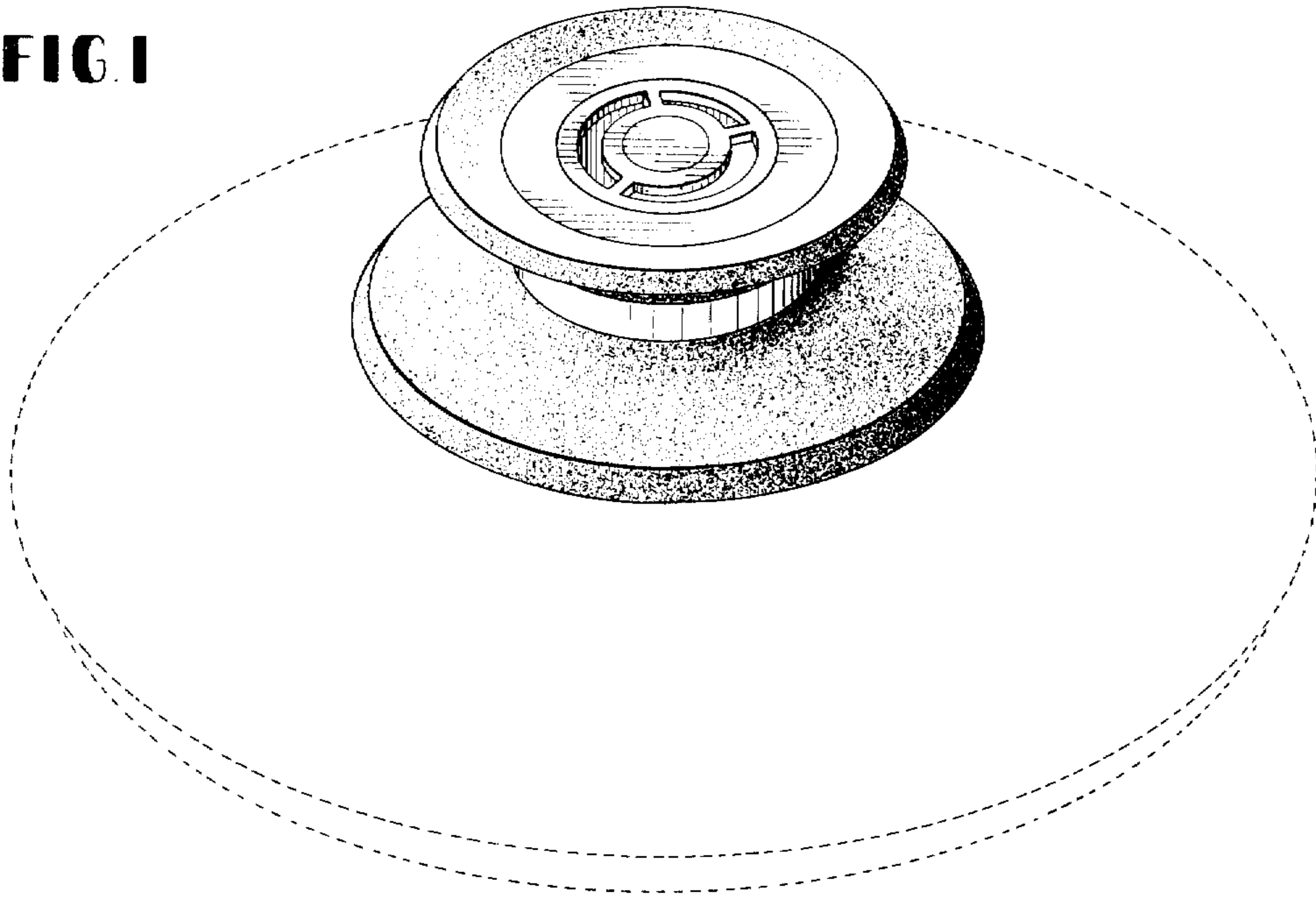
[56] **References Cited**

**U.S. PATENT DOCUMENTS**

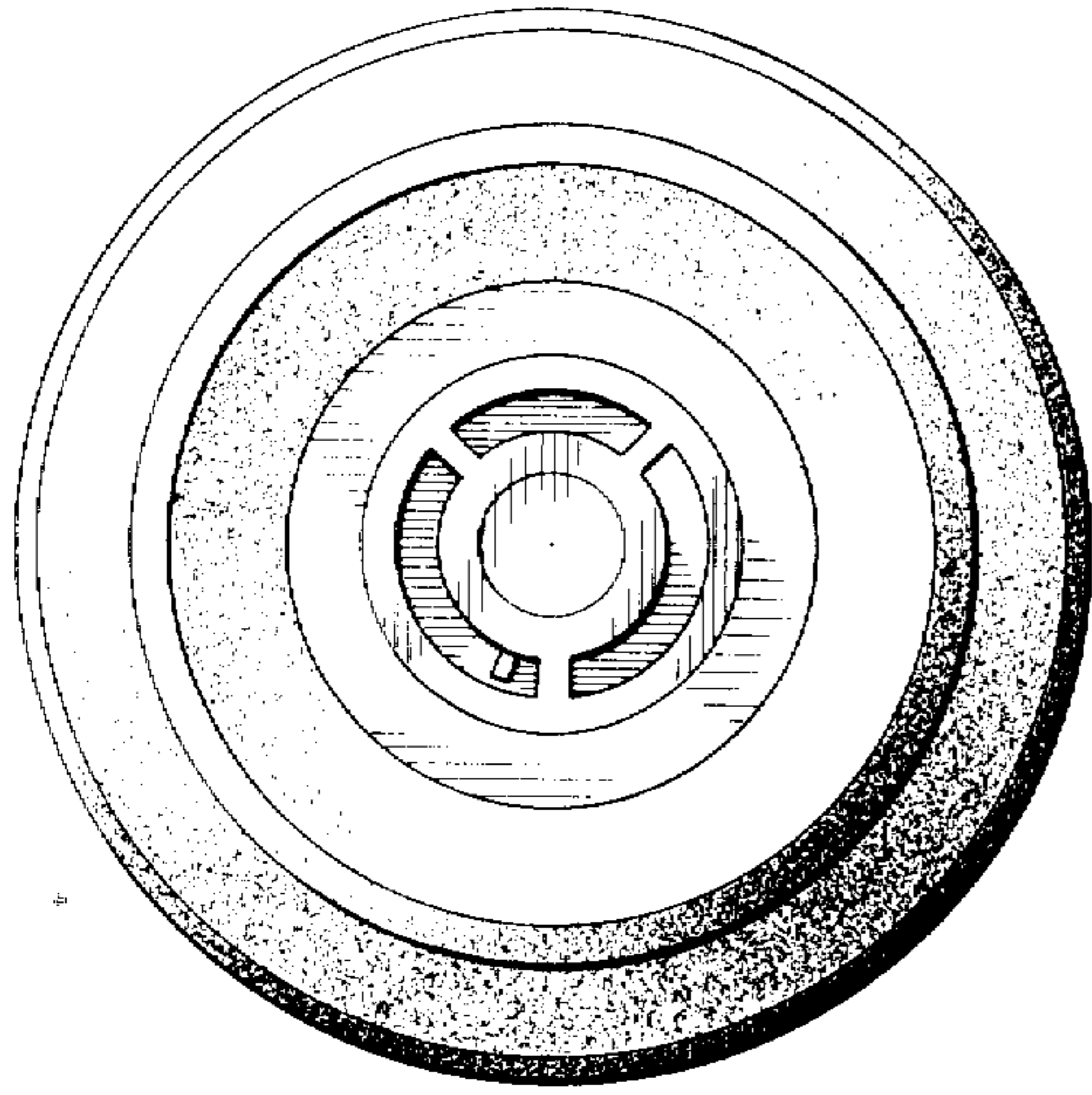
D. 54,606 3/1920 Curtin ..... D9/254  
 D. 110,995 8/1938 Bellem, Jr. .... D8/310  
 D. 179,497 1/1957 Scott ..... D8/310



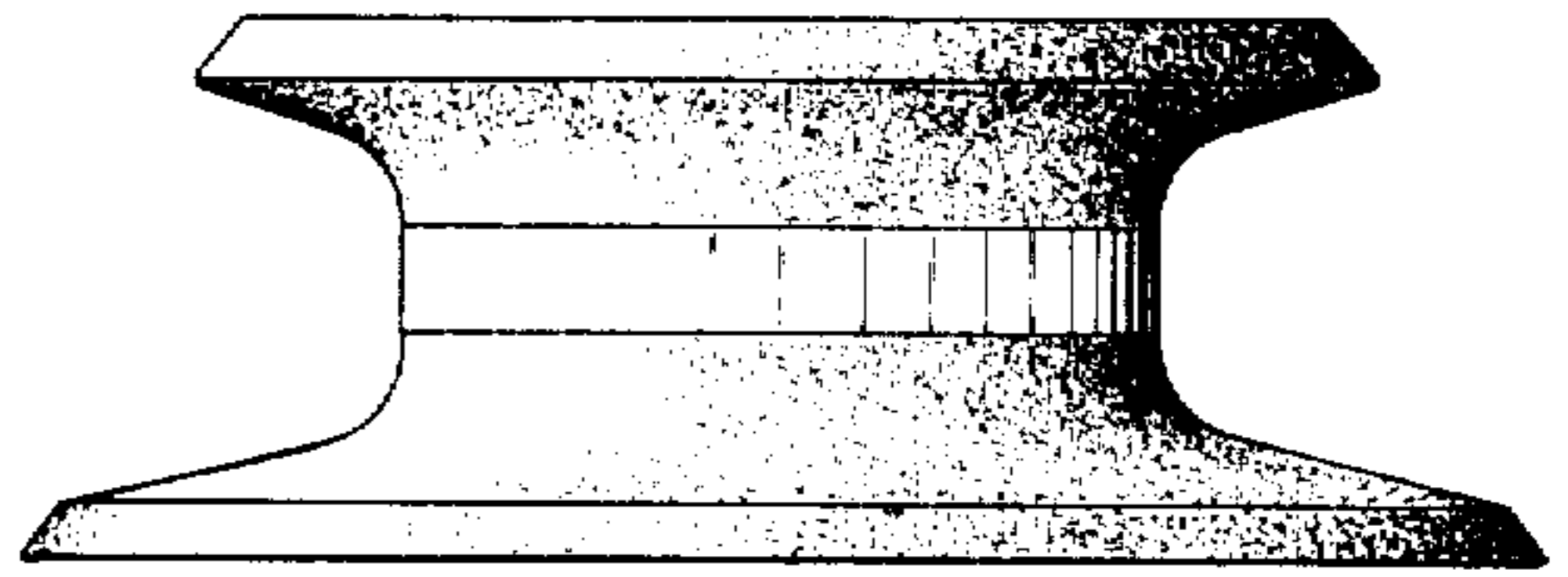
**FIG. 1**



**FIG. 2**



**FIG. 3**



**FIG. 4**

