

[54] RIBBED COFFEE URN LID

[75] Inventors: Leo A. Groh; Douglas D. Ludwig, both of West Bend, Wis.; David L. Painter, Glenview, Ill.; John H. Free, Kalispell, Mont.

[73] Assignee: Dart Industries Inc., Los Angeles, Calif.

[**] Term: 14 Years

[21] Appl. No.: 118,124

[22] Filed: Feb. 4, 1980

[51] Int. Cl. D07-02

[52] U.S. Cl. D7/131; D15/119

[58] Field of Search D7/131, 40, 61; D15/112, 113, 115, 119; 220/298, 300, 301, 302

[56] References Cited

U.S. PATENT DOCUMENTS

D. 157,363	2/1950	Frankel	D7/131
D. 160,648	10/1950	Muller-Munk	D7/131
D. 200,755	4/1965	Sebastian	D15/113
863,559	8/1907	Snigo	220/300
2,069,125	1/1937	Antrim	220/260
2,920,788	1/1960	Emerson	220/301
4,020,970	5/1977	Koscik et al.	220/302 X

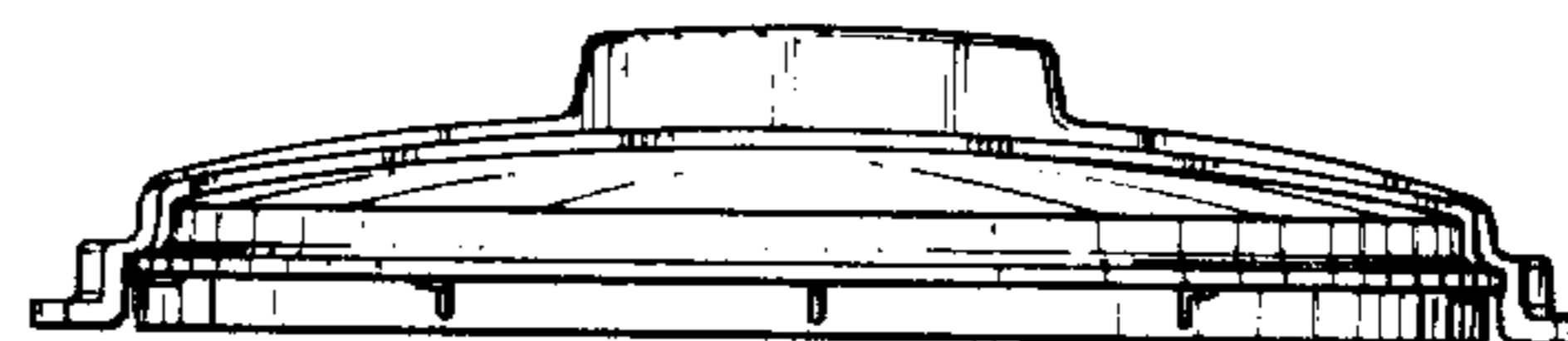
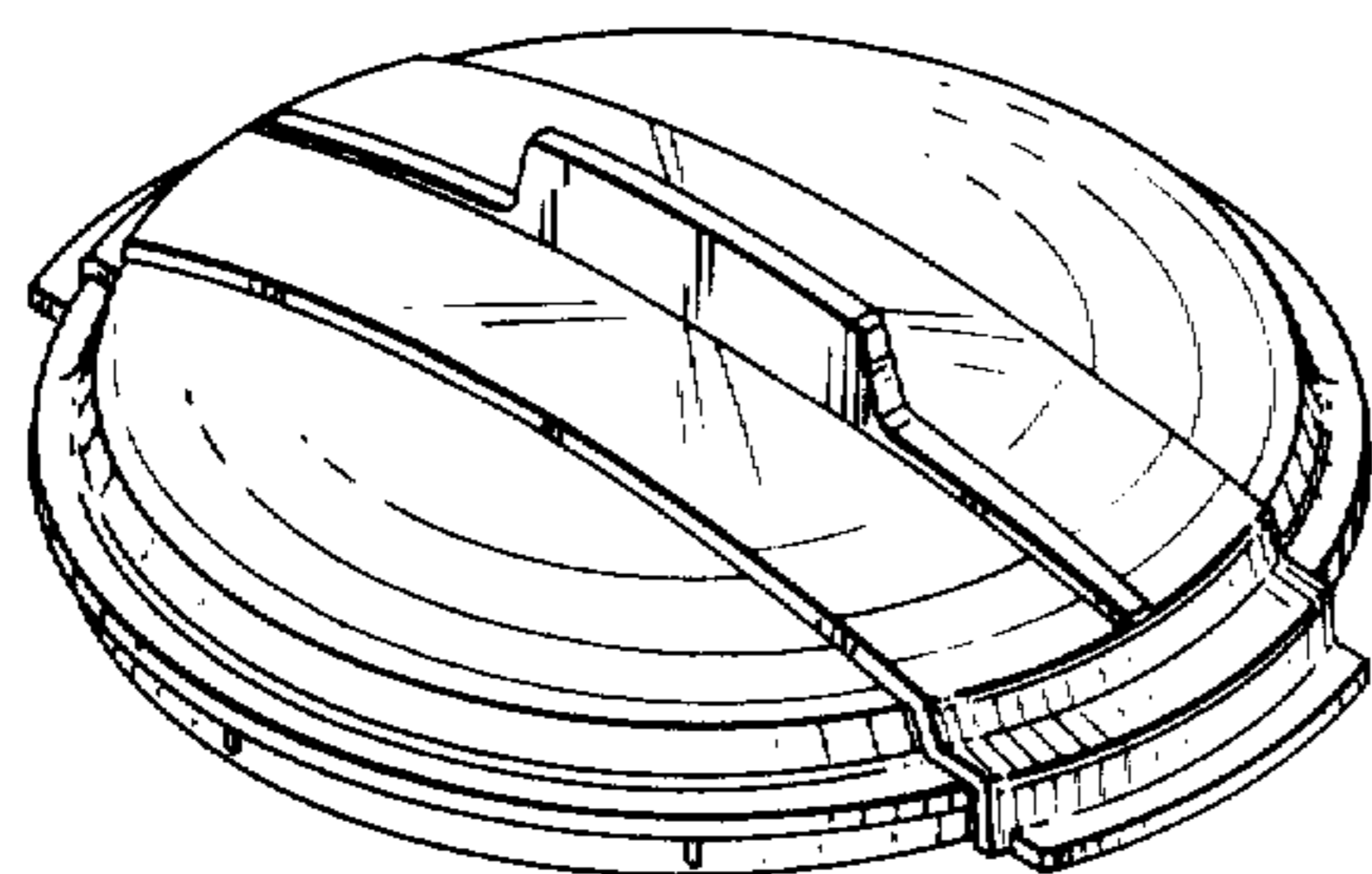
Primary Examiner—Winifred E. Herrmann
Attorney, Agent, or Firm—Kenneth J. Hovet

[57] CLAIM

The ornamental design for a ribbed coffee urn lid, substantially as shown.

DESCRIPTION

FIG. 1 is a top perspective view of a ribbed coffee urn lid showing our new design;
FIG. 2 is a side elevational view thereof;
FIG. 3 is another side elevational view thereof of FIG. 2 rotated 90°;
FIG. 4 is a top plan view; and
FIG. 5 is a bottom plan view.



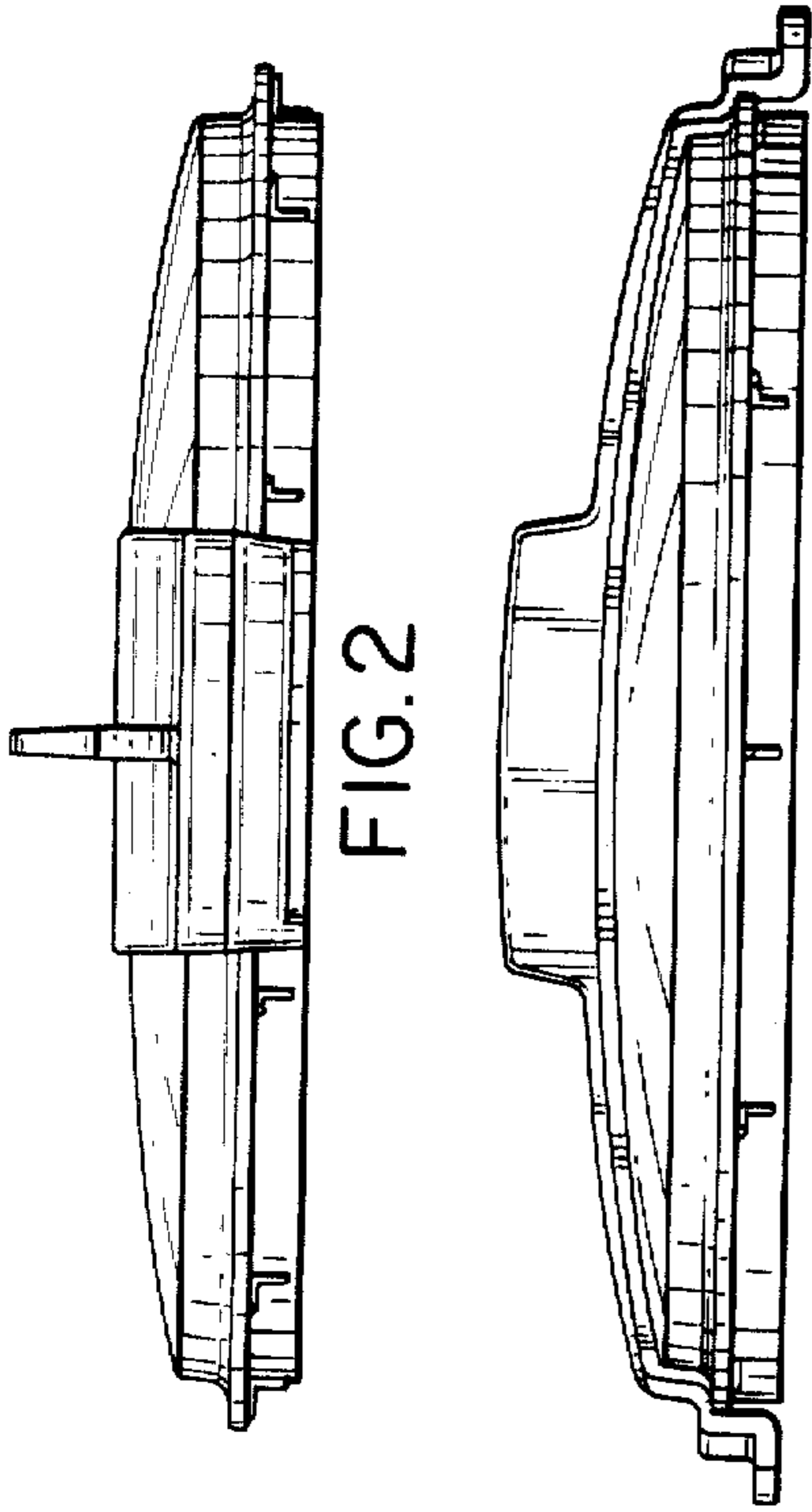


FIG. 2

FIG. 3

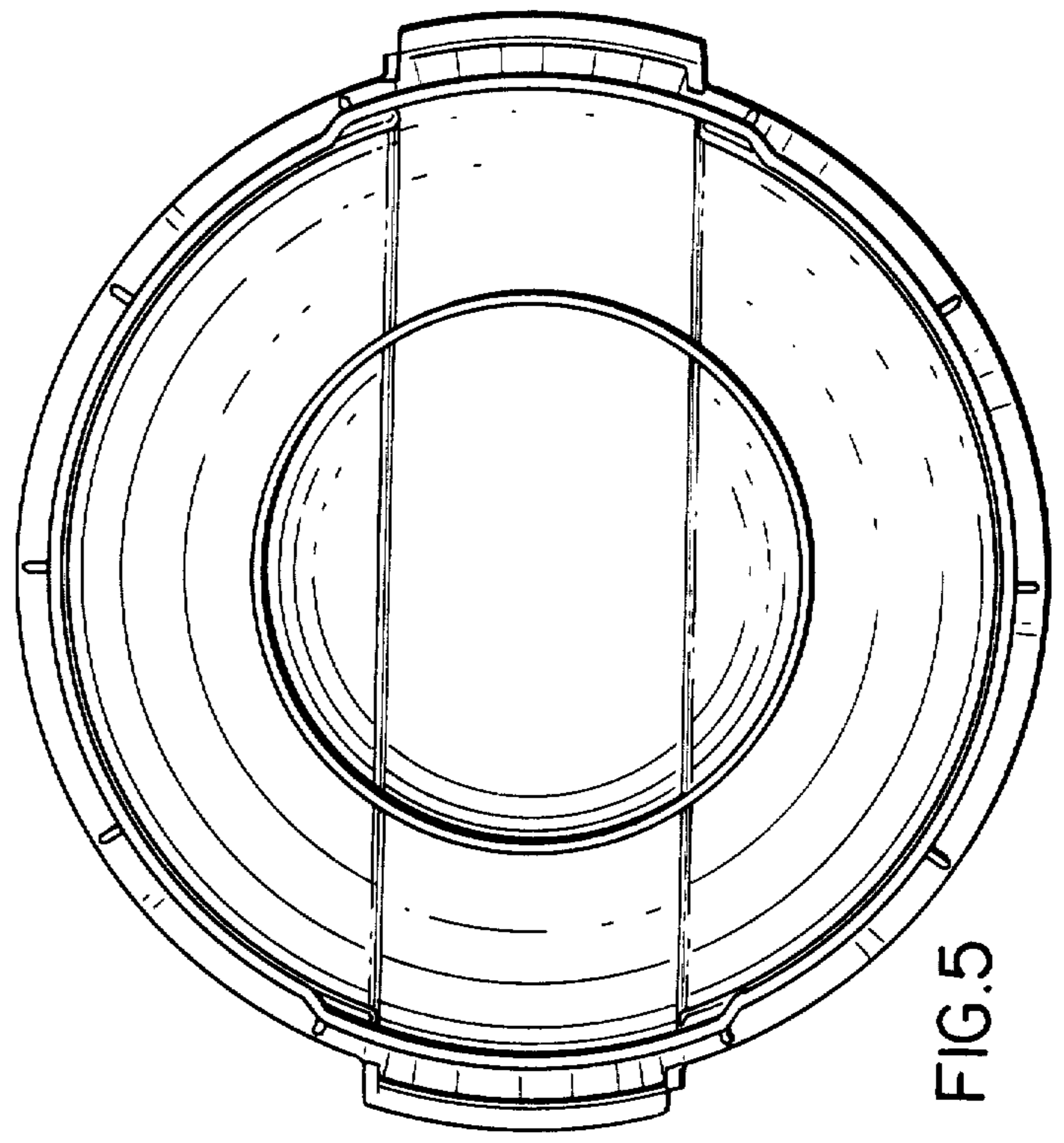


FIG. 5

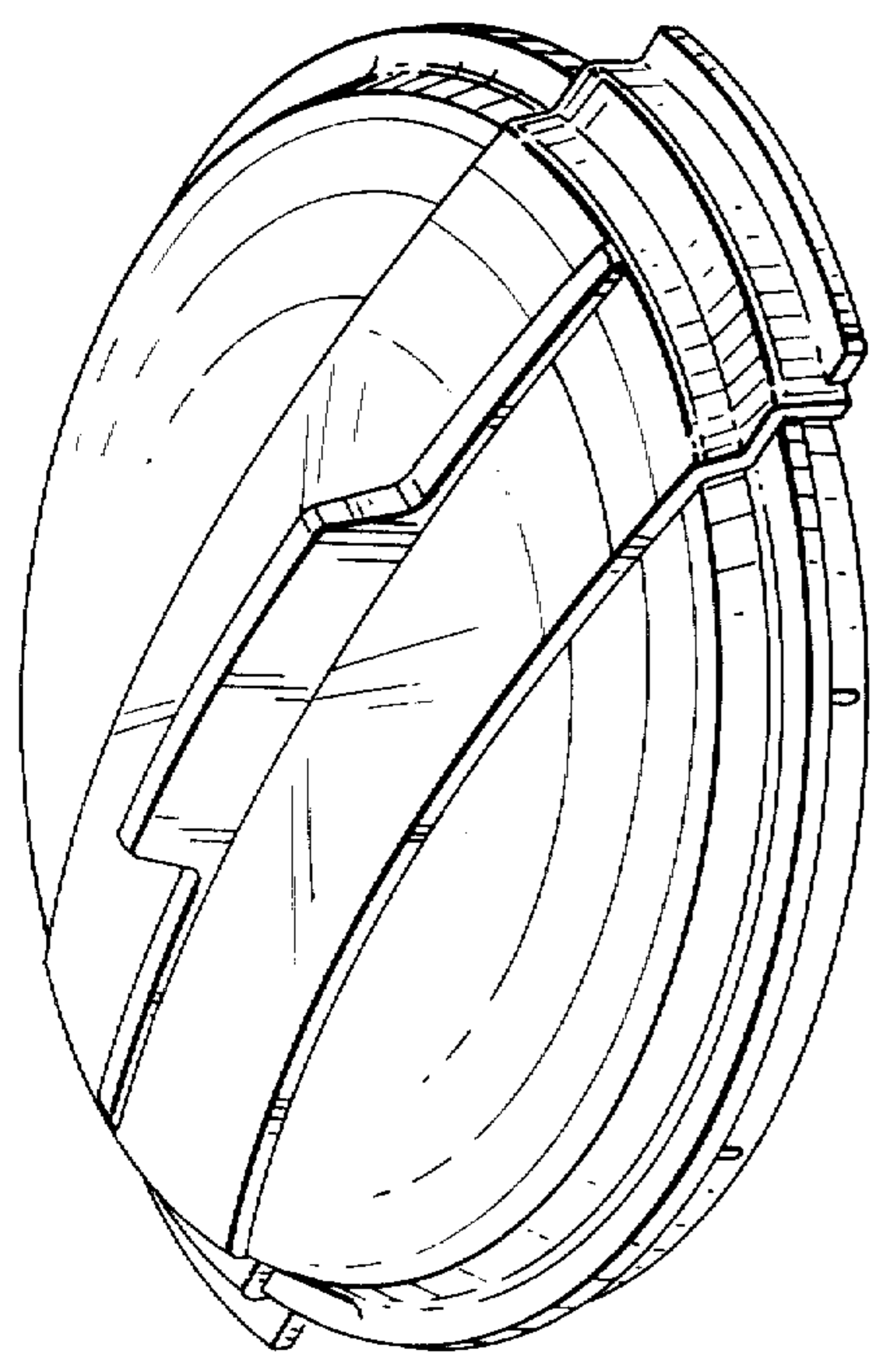


FIG. 1

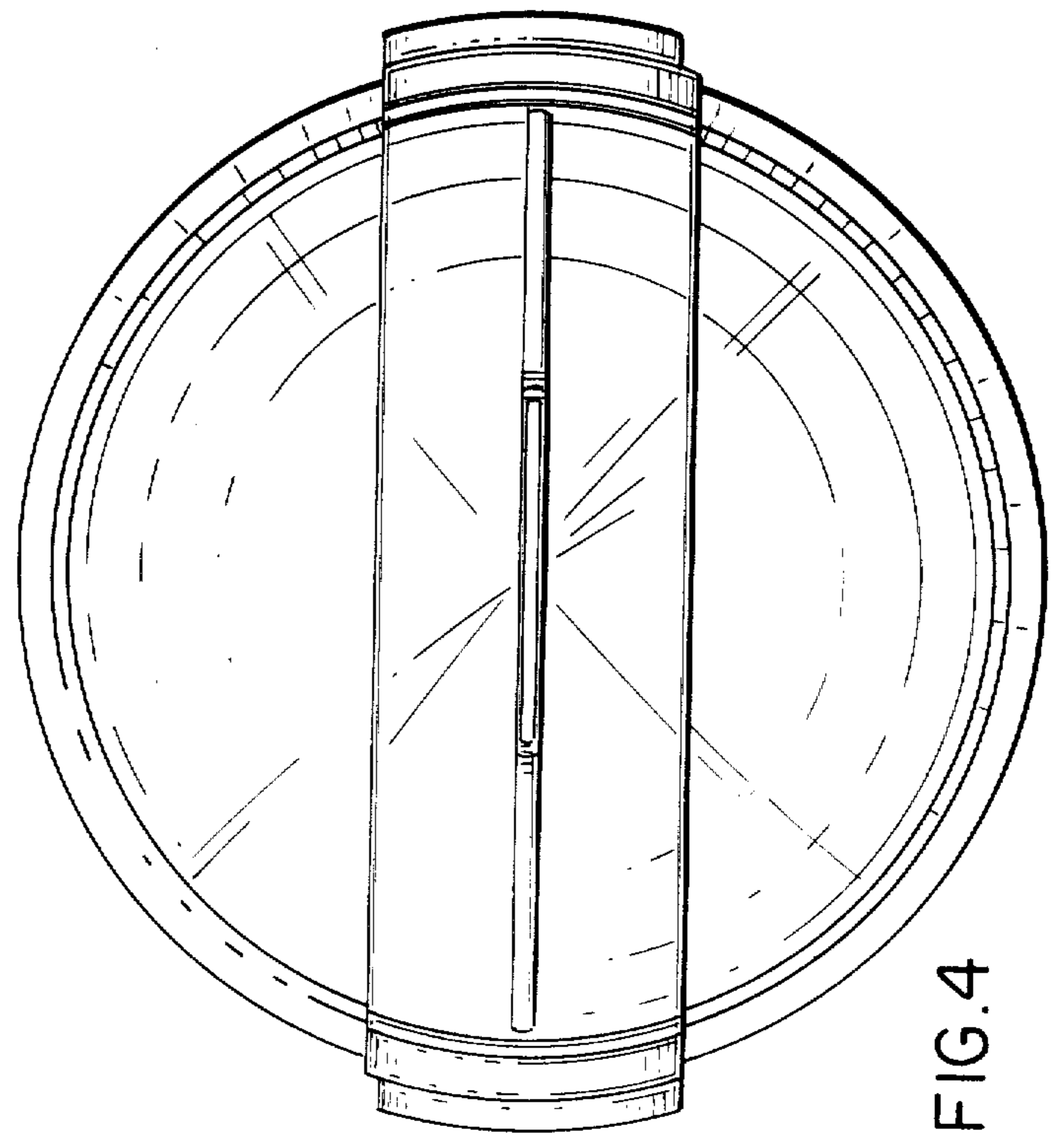


FIG. 4