

[54] WALL-HUNG COFFEE MACHINE

[75] Inventor: Rudolf Maass, Solingen-Widdert, Fed. Rep. of Germany

[73] Assignee: Robert Krups Stiftung & Co. KG, Solingen, Fed. Rep. of Germany

[\*\*] Term: 14 Years

[21] Appl. No.: 74,997

[22] Filed: Sep. 13, 1979

[30] Foreign Application Priority Data

May 5, 1979 [DE] Fed. Rep. of Germany .... 5MR8981

[51] Int. Cl. .... D7-02

[52] U.S. Cl. .... D7/62; D7/63; D15/113

[58] Field of Search ..... D7/41, 59, 60, 61, 62, D7/63, 64, 65; D15/111-115; 99/279, 280, 286, 290, 316, 323

[56] References Cited

U.S. PATENT DOCUMENTS

- D. 251,821 5/1979 Levine ..... D7/59
- D. 254,893 5/1980 Smit ..... D7/62
- 3,968,740 7/1976 Brown ..... D7/62 X

OTHER PUBLICATIONS

Industrial Design, May-Jun. 1978, p. 23, Coffeemaker Plus in center of page.

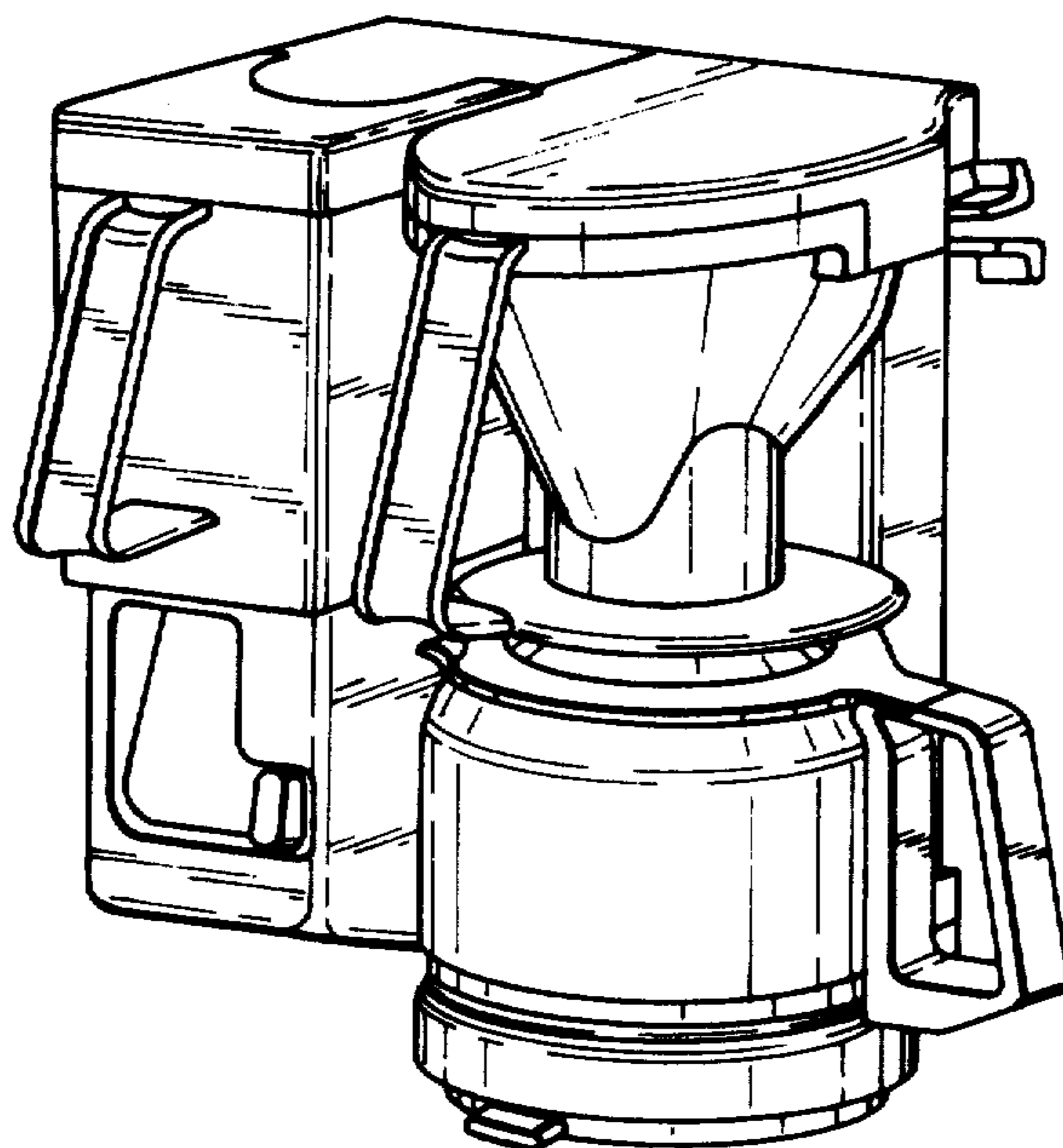
Primary Examiner—Leland A. Sebastian  
Attorney, Agent, or Firm—Michael J. Striker

[57] CLAIM

The ornamental design for a wall-hung coffee machine, substantially as shown and described.

DESCRIPTION

FIG. 1 is a perspective view of a wall-hung coffee machine showing my new design;  
 FIG. 2 is a front elevational view thereof;  
 FIG. 3 is a right side elevational view thereof;  
 FIG. 4 is a left side elevational view thereof;  
 FIG. 5 is a rear elevational view thereof;  
 FIG. 6 is a top plan view thereof;  
 FIG. 7 is a bottom plan view thereof;  
 FIG. 8 is a front elevational view similar to FIG. 2 but with the coffee container removed for convenience of illustration; and  
 FIG. 9 is a front elevational view similar to FIG. 8 but showing the coffee-container support located at a different level.



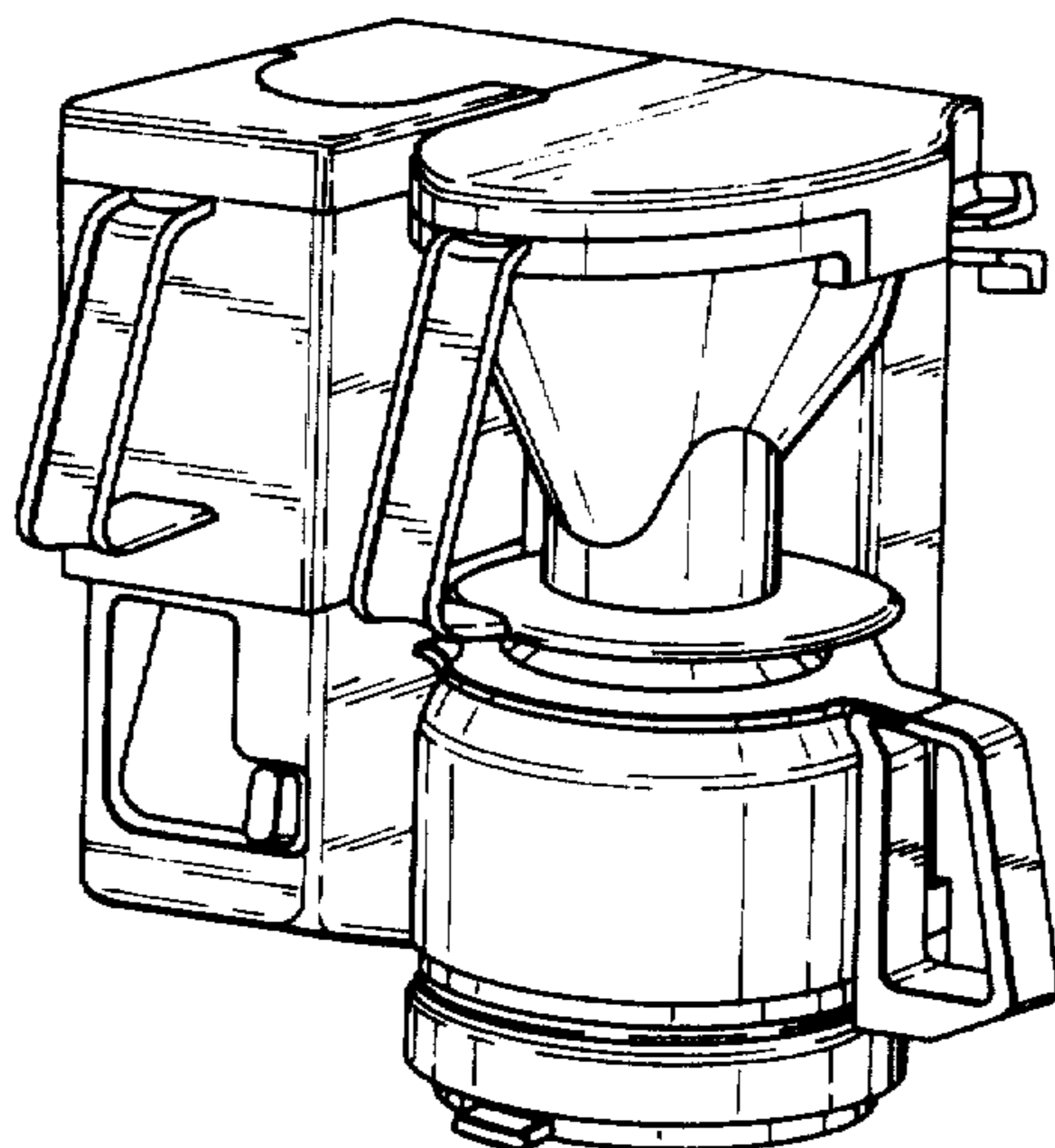


FIG. 1

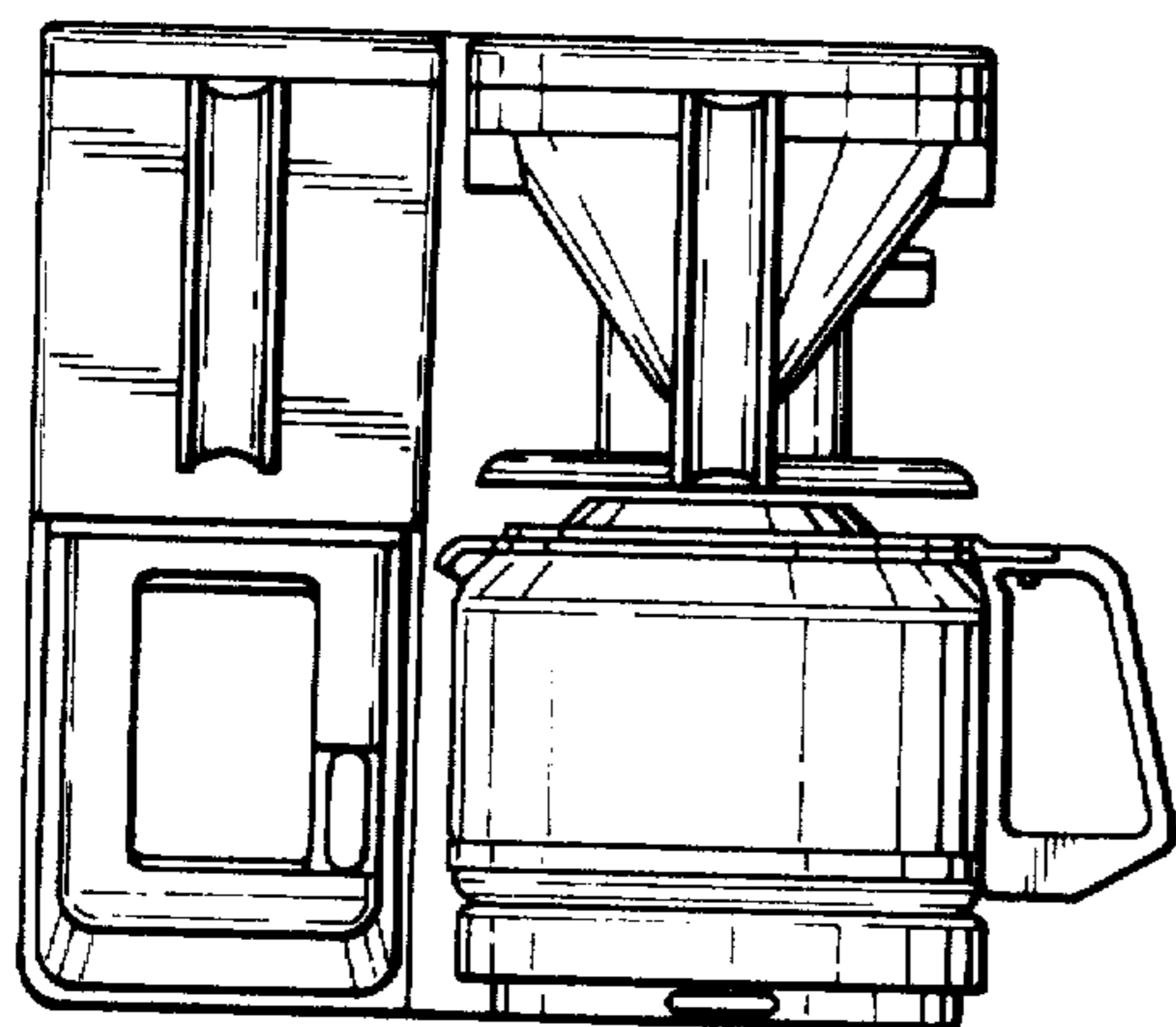


FIG. 2

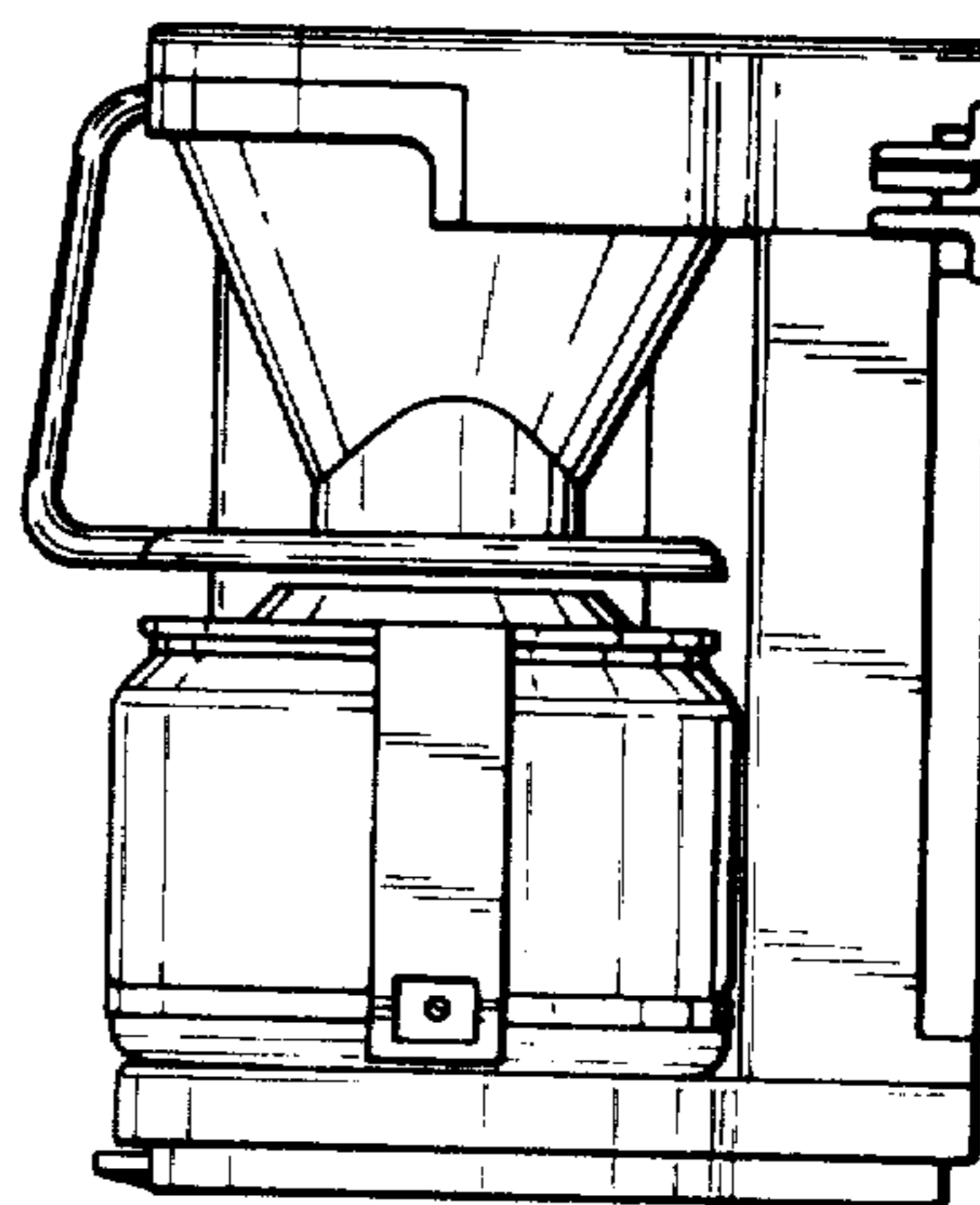


FIG. 3

FIG. 4

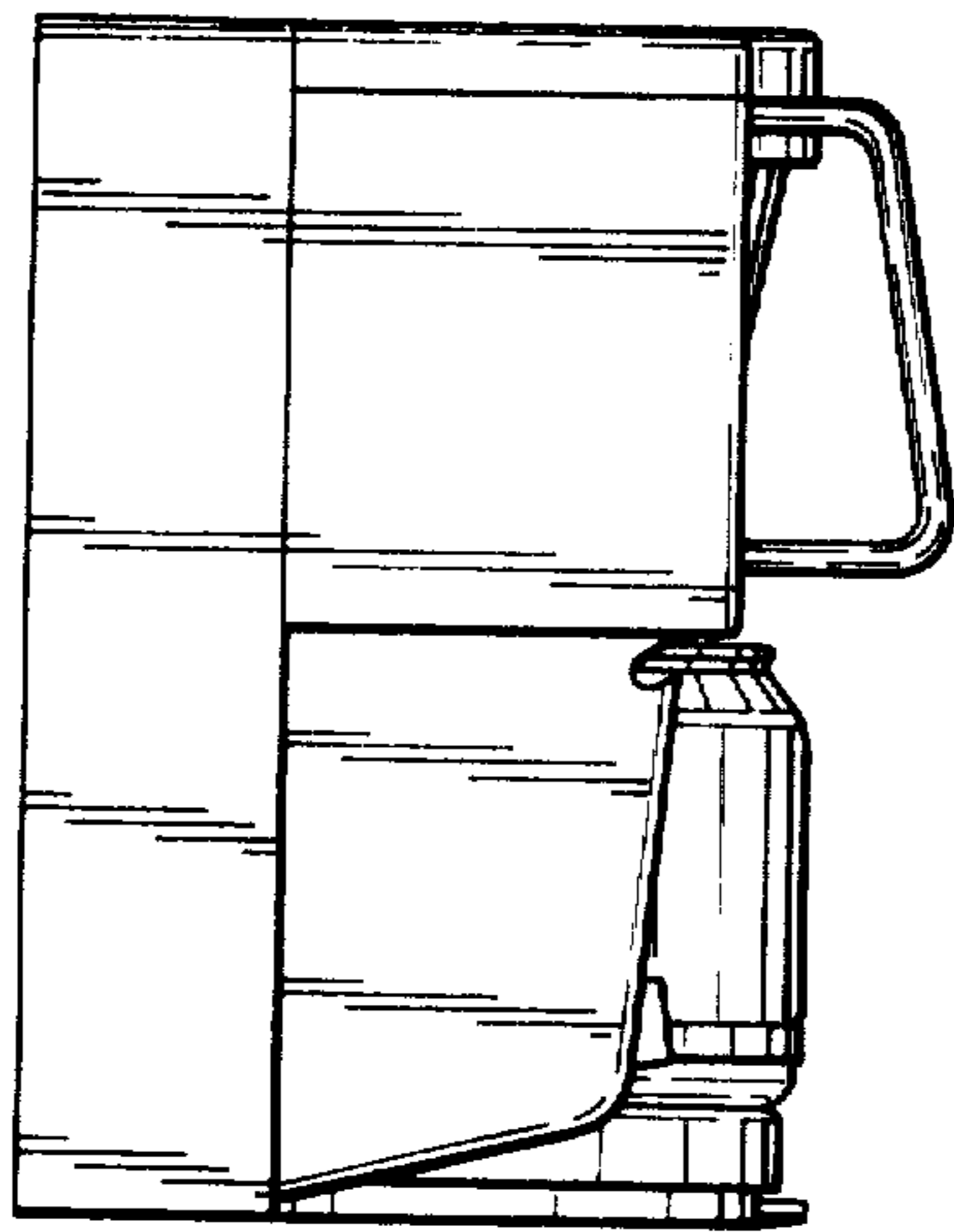


FIG. 5

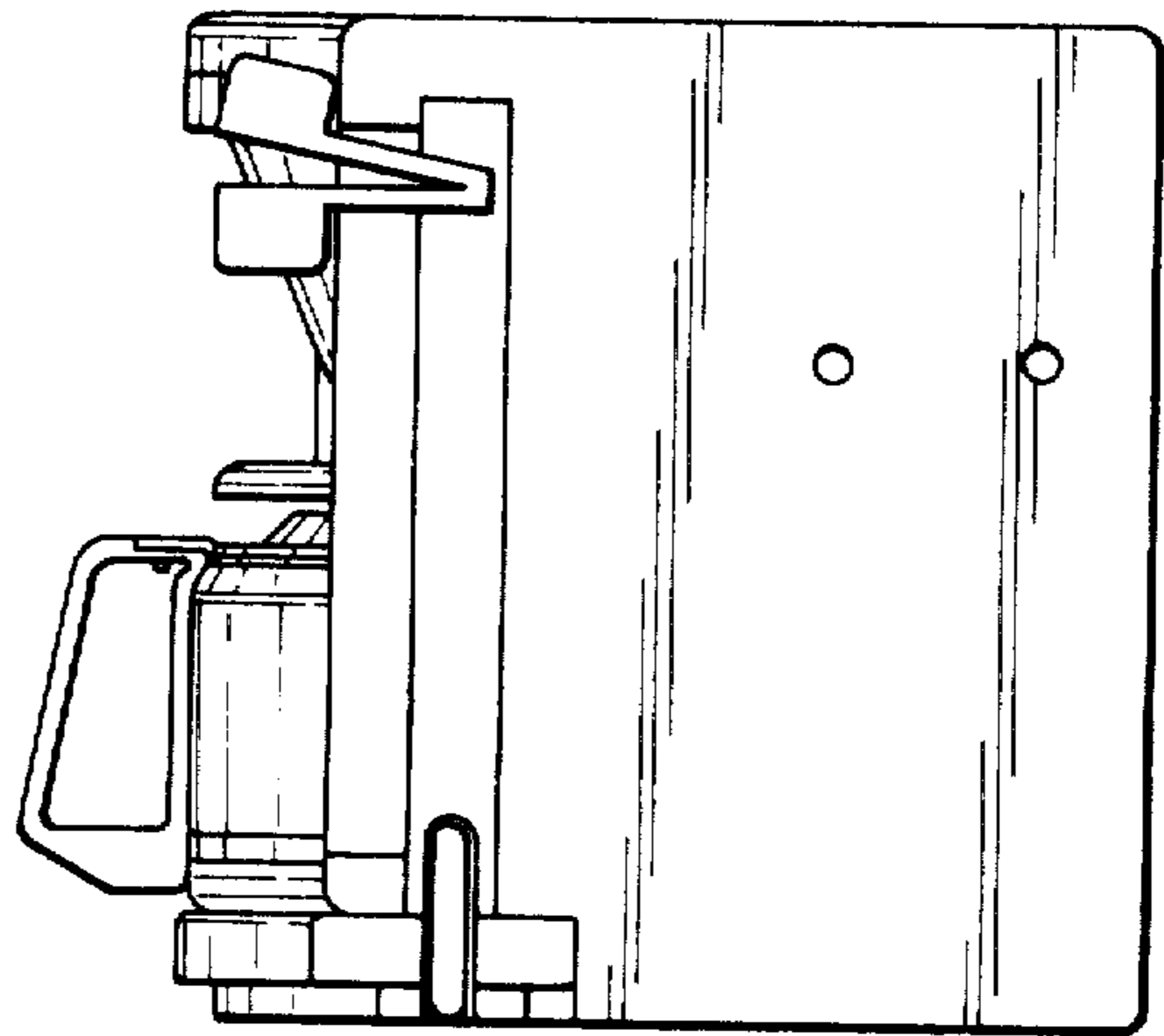


FIG. 6

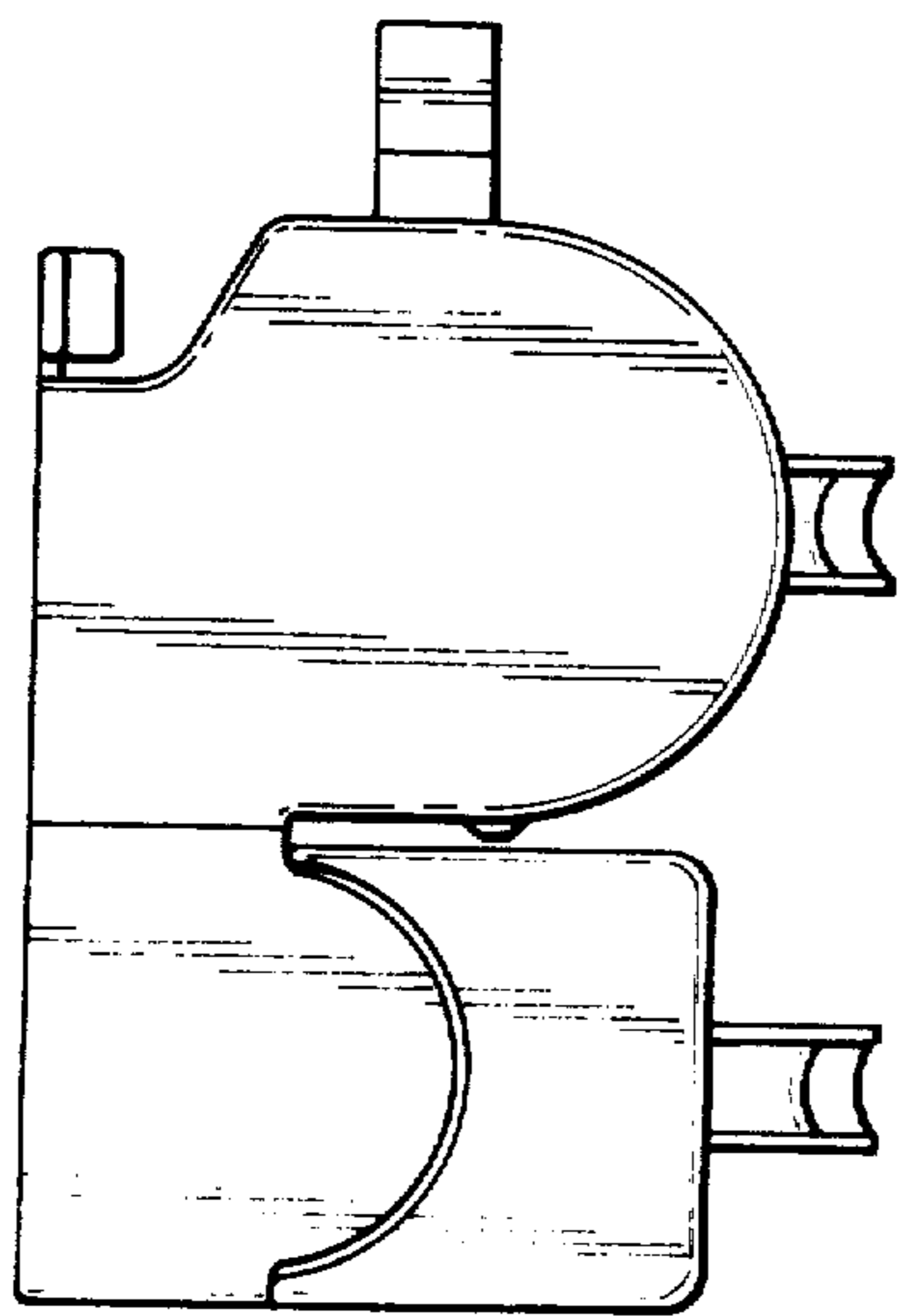
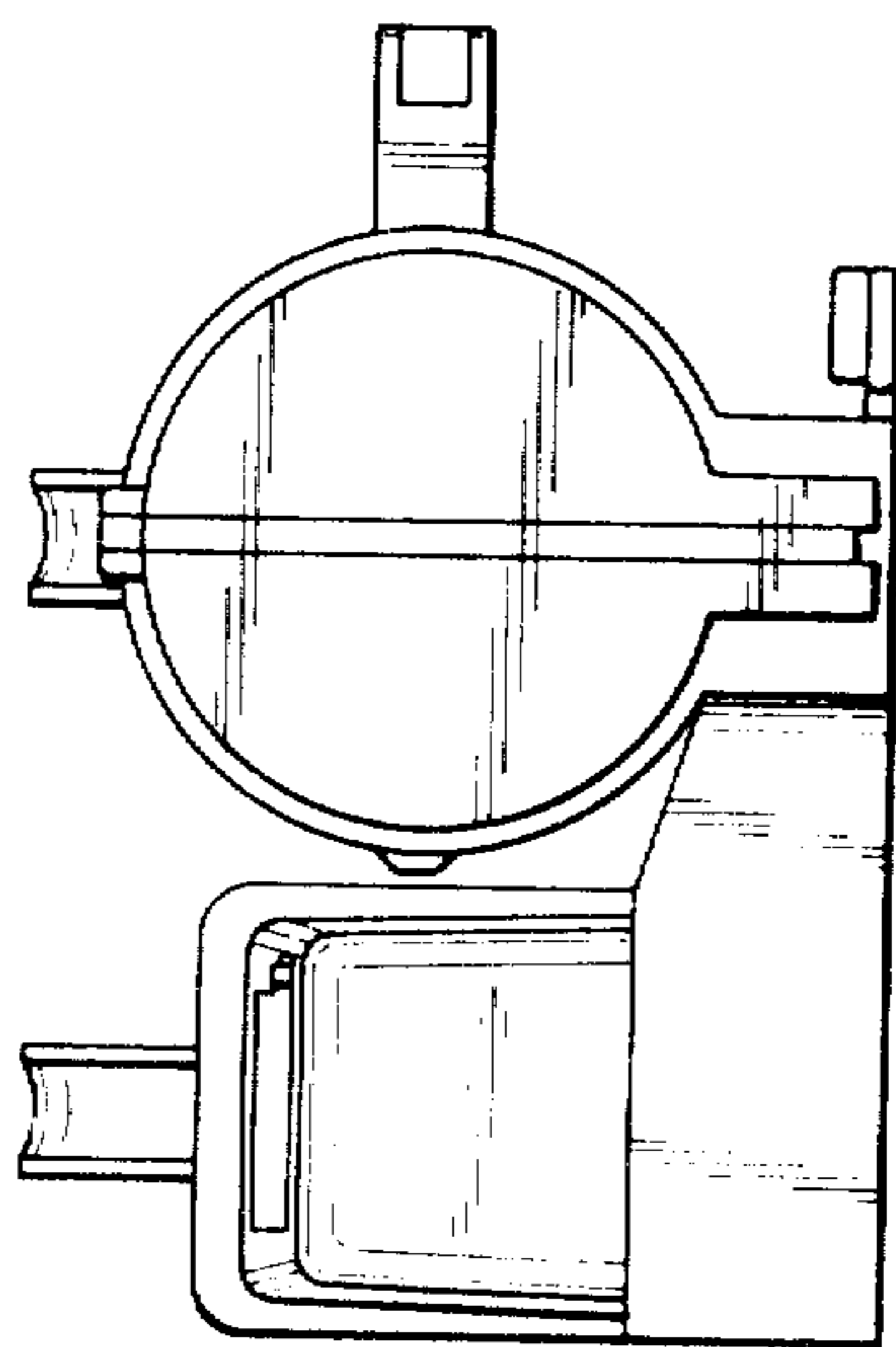


FIG. 7



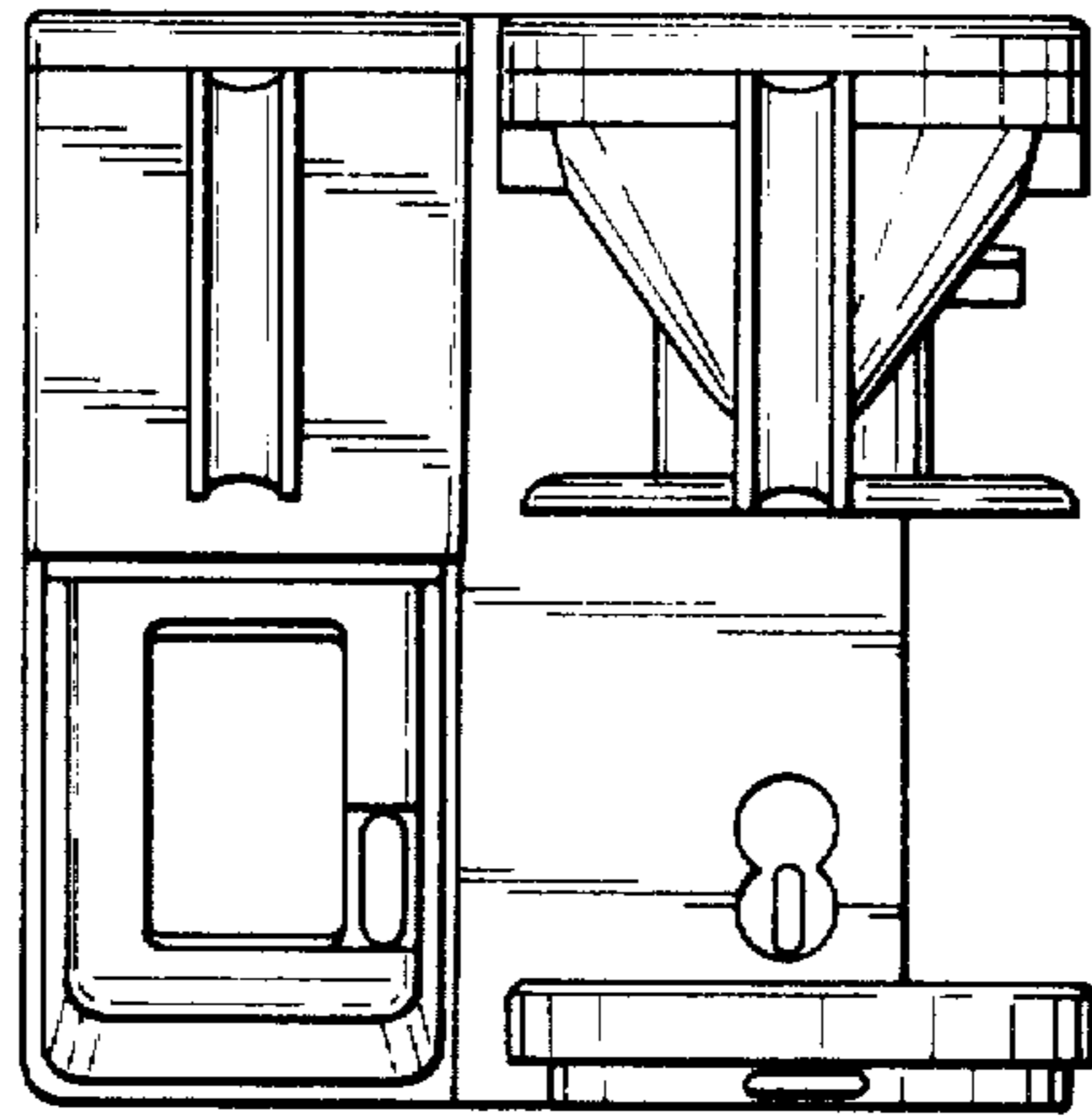


FIG. 8

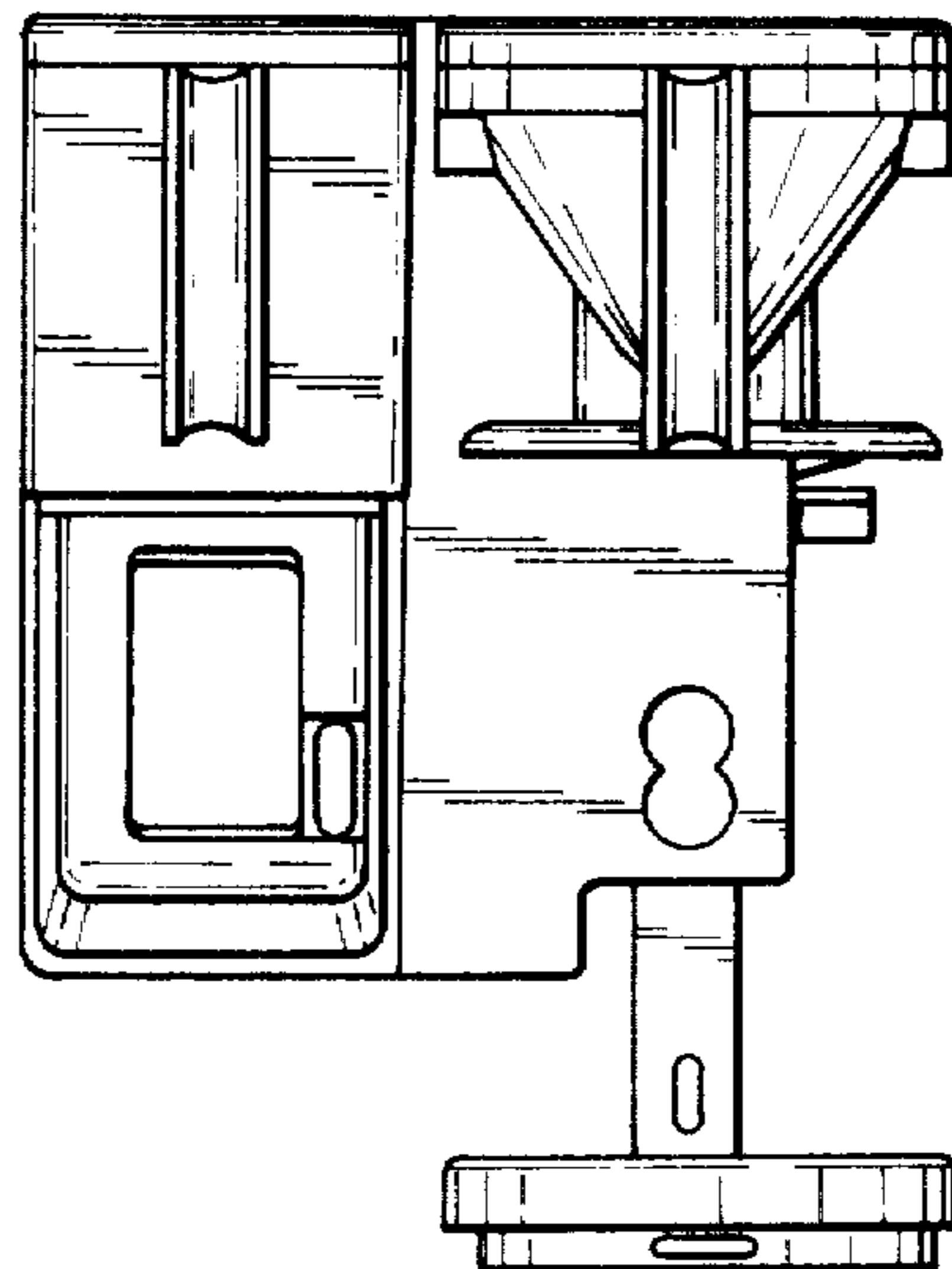


FIG. 9