

[54] **AUXILIARY TOWEL RACK**

[75] Inventor: **Raymond W. Fink**, Maple Heights, Ohio

[73] Assignee: **Tool Dynamics, Inc.**, Bedford Hts., Ohio

[**] Term: **14 Years**

[21] Appl. No.: **106,756**

[22] Filed: **Dec. 26, 1979**

[51] Int. Cl. **D23-02**

[52] U.S. Cl. **D6/99**

[58] Field of Search **D6/86-114;**
211/16, 86, 87, 106, 181, 109

2,198,584 4/1940 Swably .
2,295,736 9/1942 Jernson .
2,313,245 3/1943 Kent 211/106
2,931,514 4/1960 Hughes 211/16

OTHER PUBLICATIONS

Housewares; 1/1974; Nos. 1103 add-on towel bar.

Primary Examiner—B. J. Bullock
Attorney, Agent, or Firm—Burge & Porter Co.

[57] **CLAIM**

The ornamental design for an auxiliary towel rack, as shown and described.

DESCRIPTION

FIG. 1 is a perspective view of an auxiliary towel rack showing my new design, the permanent towel rack being shown in broken lines for illustrative purposes only;

FIG. 2 is a side elevational view taken from the right of FIG. 1;

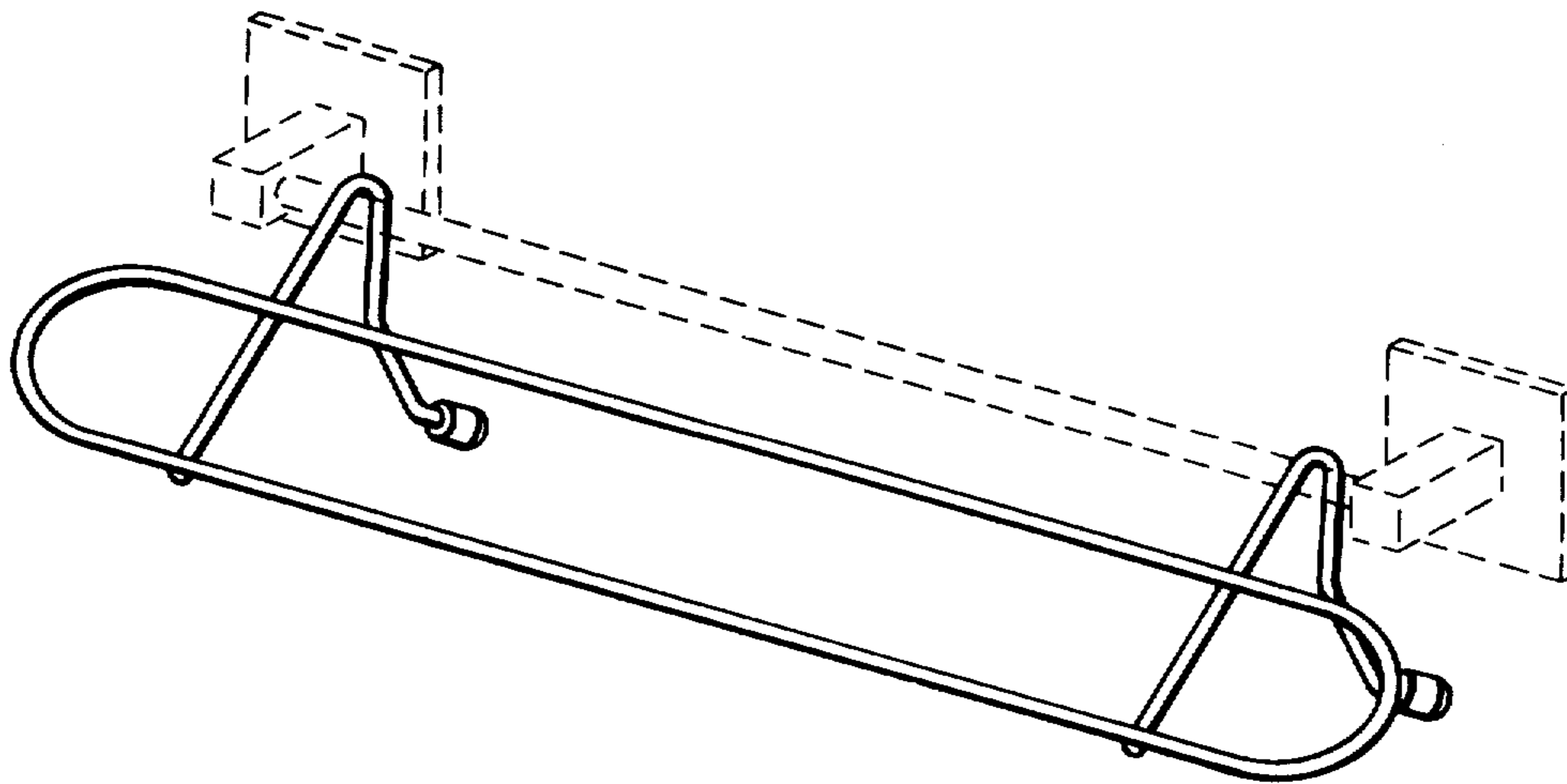
FIG. 3 is a top plan view thereof;

FIG. 4 is a bottom plan view thereof.

[56] **References Cited**

U.S. PATENT DOCUMENTS

D. 58,557 8/1921 Dudley D6/99
815,060 3/1906 Beebe .
1,409,056 3/1922 Michaels 211/181
1,909,334 5/1933 Brewer .



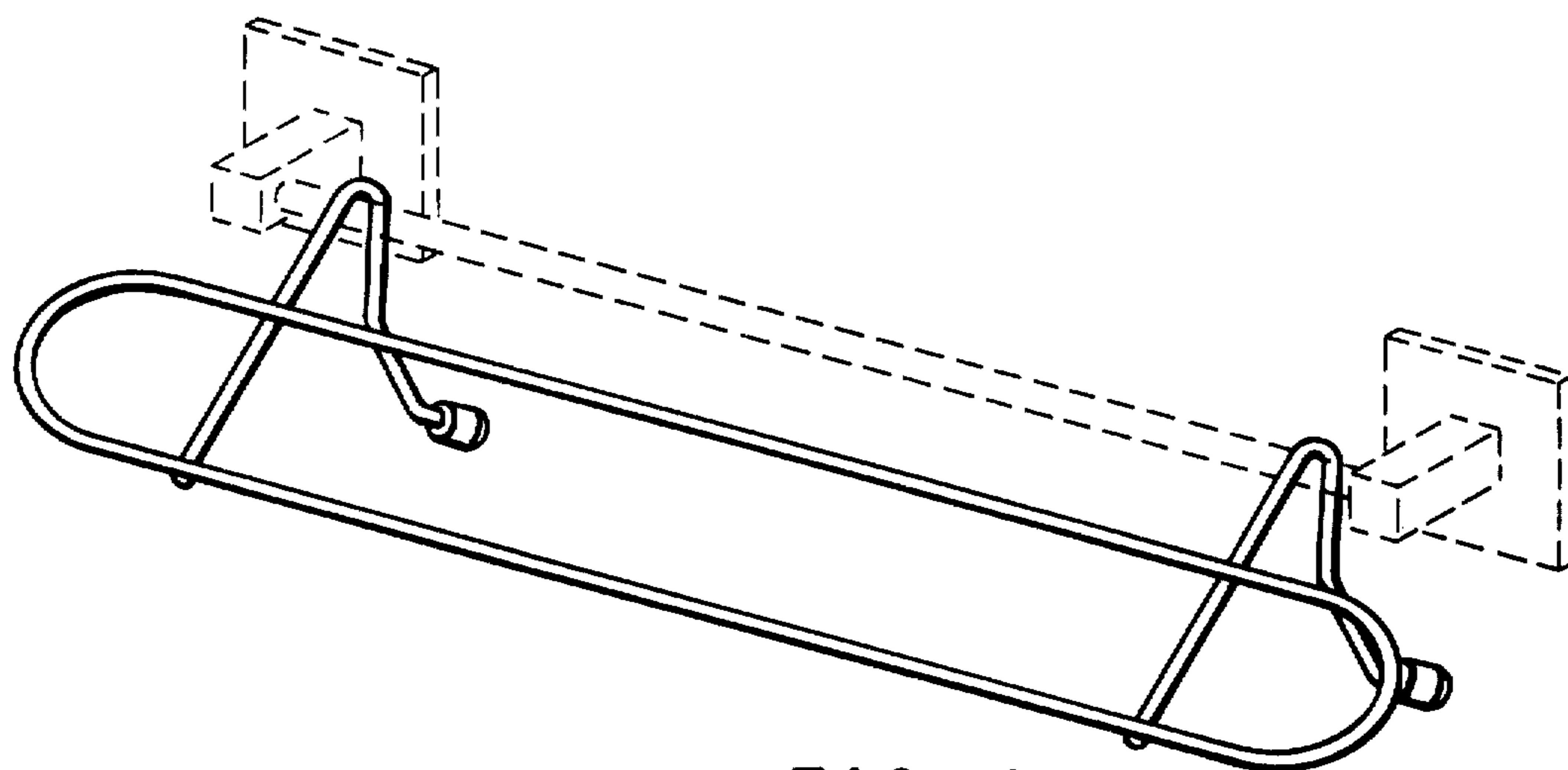


FIG. 1

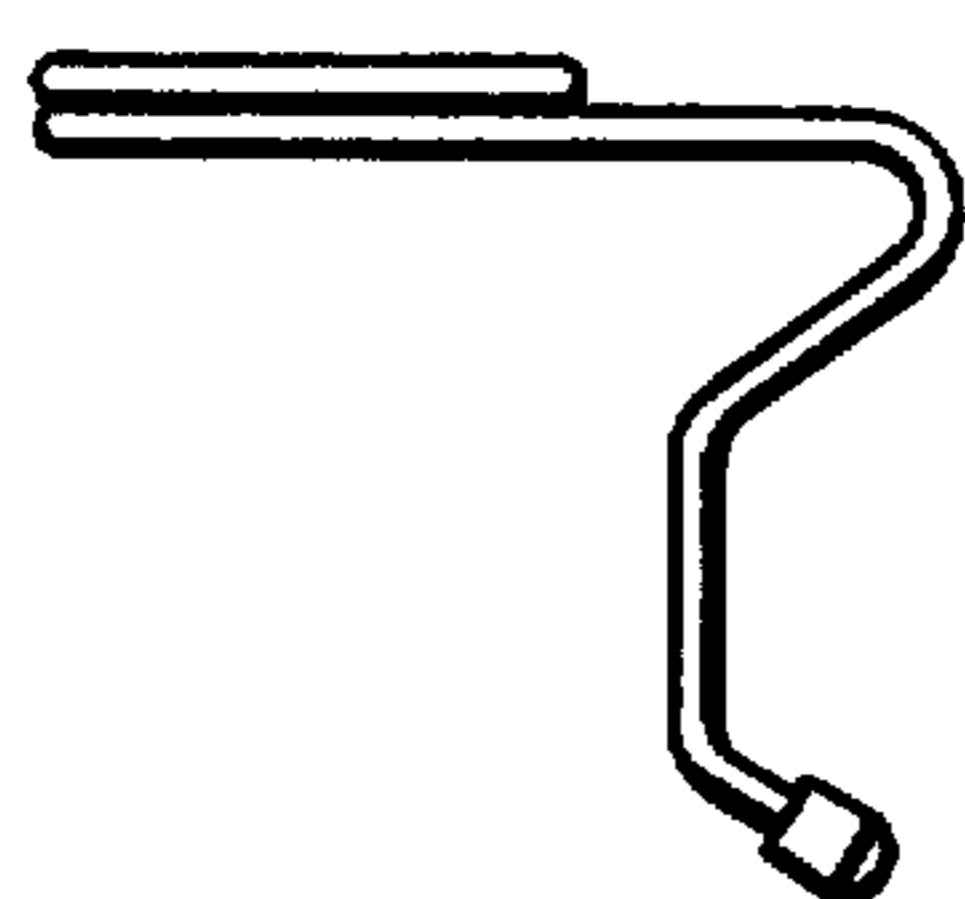


FIG. 2

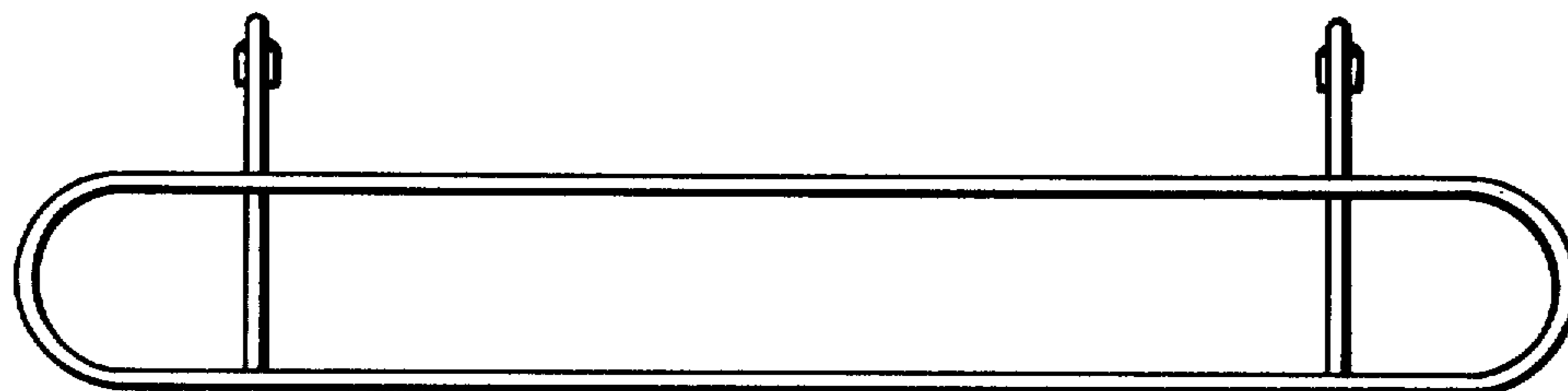


FIG. 3

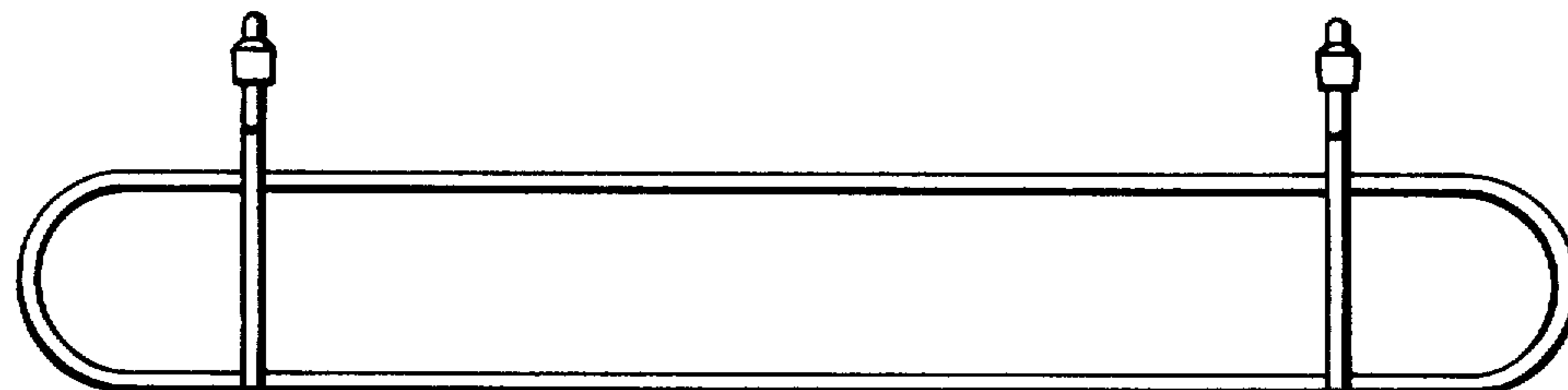


FIG. 4