

- [54] **TAPE CASSETTE HOLDER FOR A SUNVISOR**
- [75] Inventors: **Ted A. Bell; Timothy S. Cooksey,**
both of Coshocton, Ohio
- [73] Assignee: **Pretty Products, Inc.,** Coshocton,
Ohio
- [**] Term: **14 Years**
- [21] Appl. No.: **82,828**
- [22] Filed: **Oct. 9, 1979**
- [51] Int. Cl. **D3—02**
- [52] U.S. Cl. **D3/35; D3/40**
- [58] Field of Search **D3/30, 34, 40, 35;**
224/273, 311, 312, 324, 325, 42.42; 296/97 C

- [56] **References Cited**
- U.S. PATENT DOCUMENTS**
- D. 208,252 8/1967 Standard D3/35
- D. 208,253 8/1967 Standard D3/35
- D. 224,498 8/1972 White D3/35
- D. 250,495 12/1978 Mollura D3/35
- 3,856,192 12/1974 Nelson 224/42.42 R
- 4,103,860 8/1978 Haas et al. 224/312

Primary Examiner—George P. Word

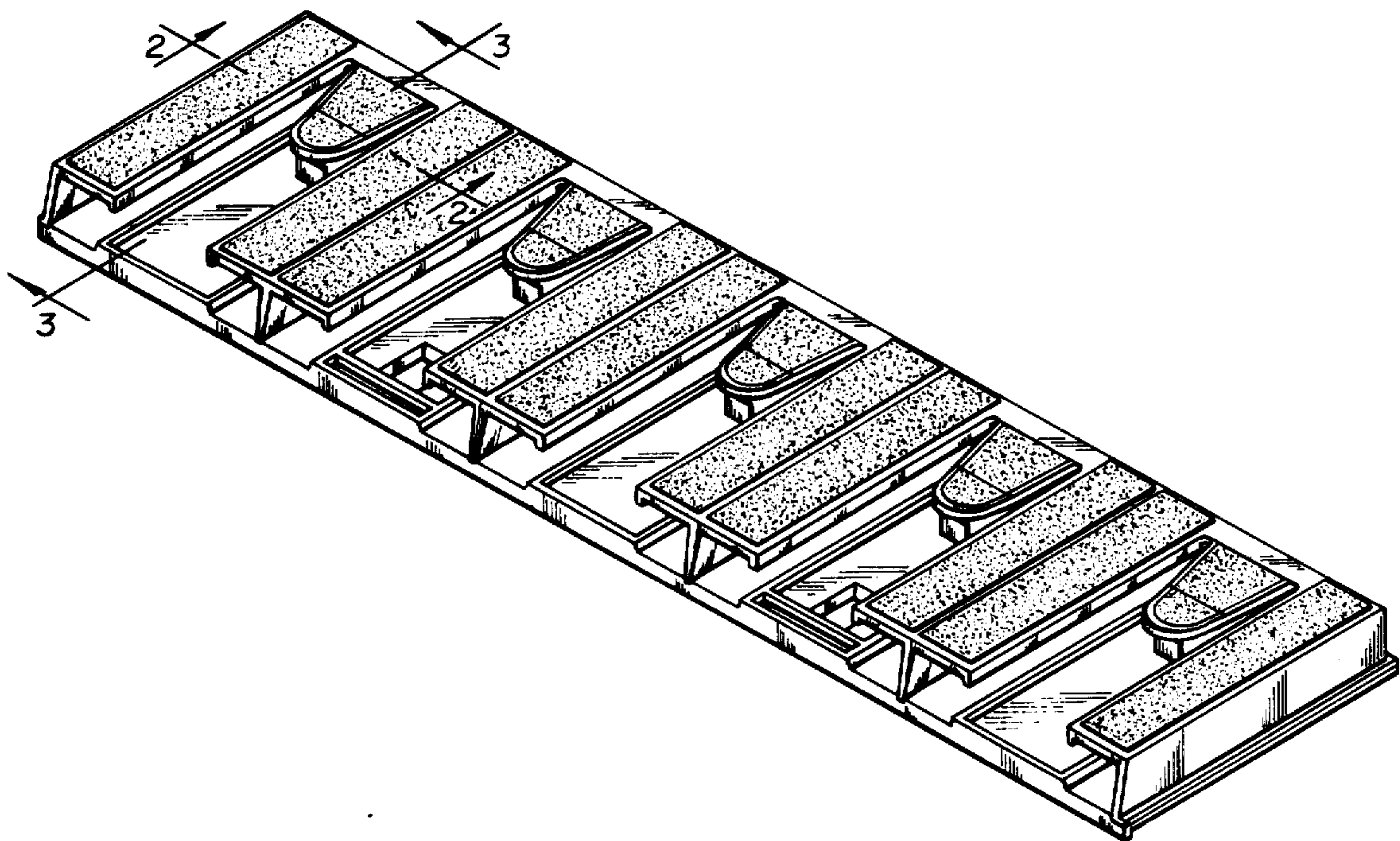
Attorney, Agent, or Firm—Robert E. Stebens

[57] **CLAIM**

The ornamental design for a tape cassette holder for a sunvisor, substantially as shown and described.

DESCRIPTION

FIG. 1 is a perspective view of a tape cassette holder for a sunvisor showing our new design;
 FIG. 2 is an enlarged scale fragmentary cross-sectional view taken along line 2—2 of FIG. 1;
 FIG. 3 is an enlarged scale cross-sectional view taken along line 3—3 of FIG. 1;
 FIG. 4 is an enlarged scale fragmentary front elevational view of the left end portion of FIG. 1;
 FIG. 5 is a bottom plan view of FIG. 1;
 FIG. 6 is a rear elevational view thereof;
 FIG. 7 is an enlarged scale fragmentary bottom plan view thereof;
 FIG. 8 is a cross-sectional view thereof taken along line 8—8 of FIG. 7, the spring clip shown in broken lines being for illustrative purposes only;
 FIG. 9 is a fragmentary cross-sectional view taken along line 9—9 of FIG. 7;
 FIG. 10 is a perspective view of a modified form of the tape cassette holder for a sunvisor; and
 FIG. 11 is another modified form thereof.



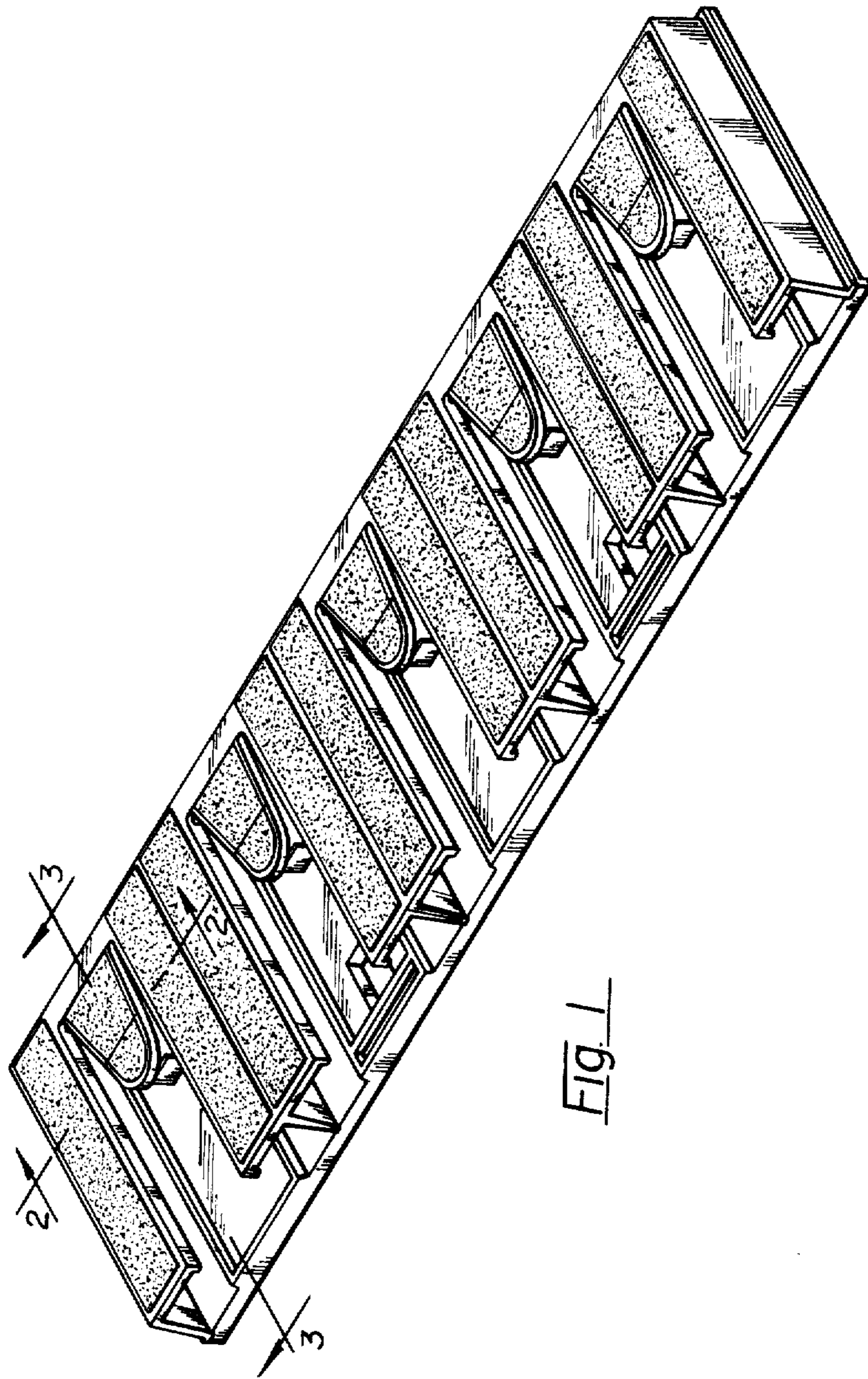


FIG. 1

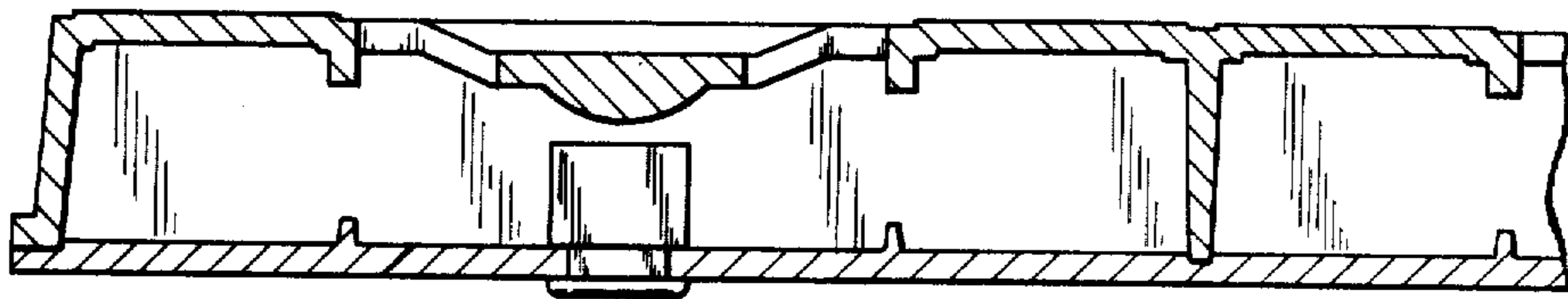


Fig. 2

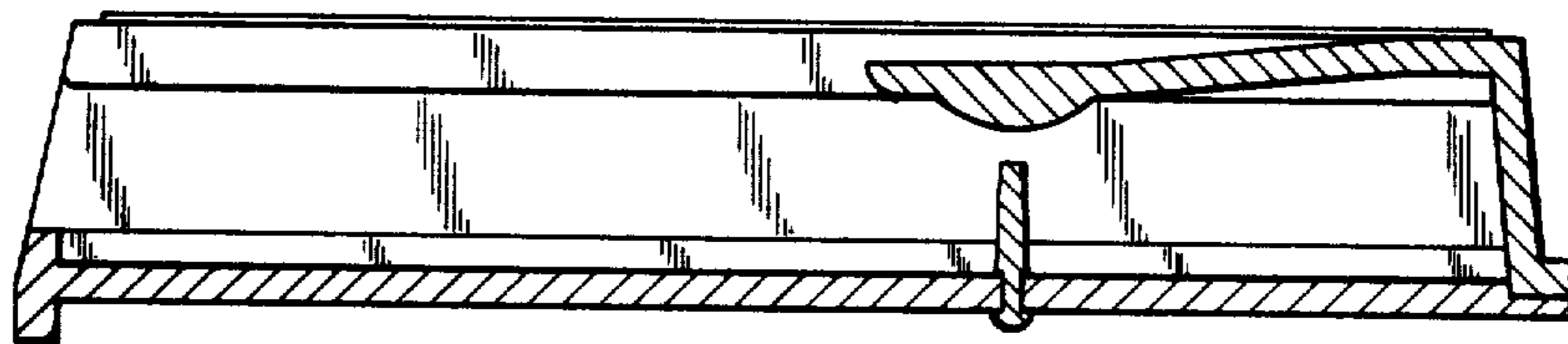


Fig. 3

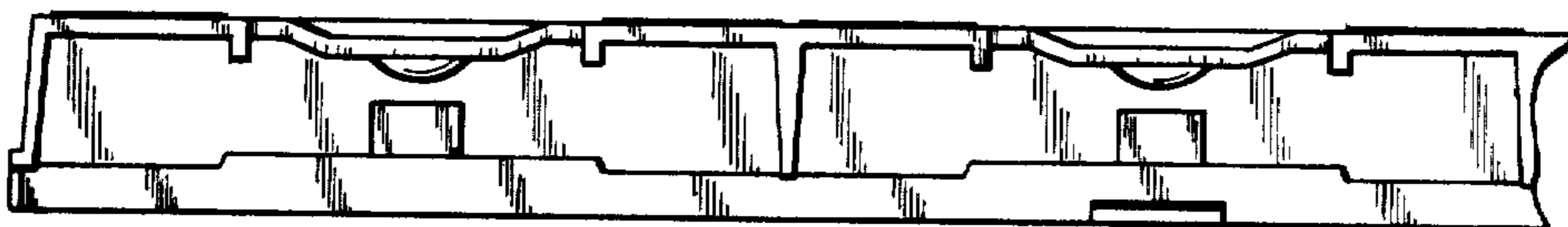


Fig. 4

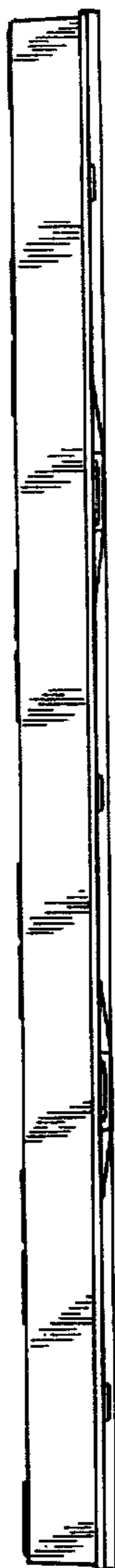


FIG. 6

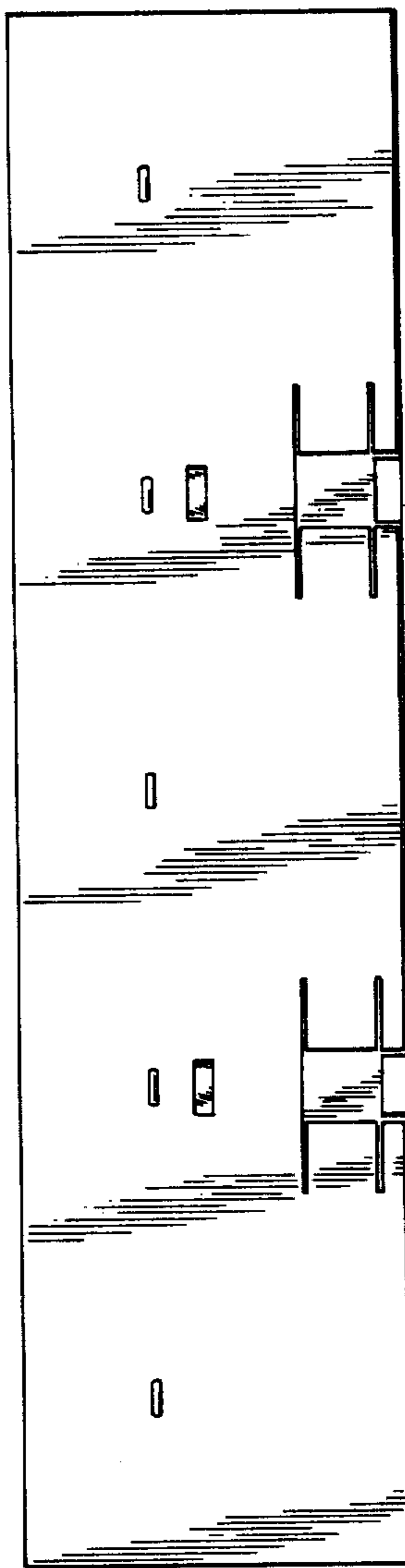
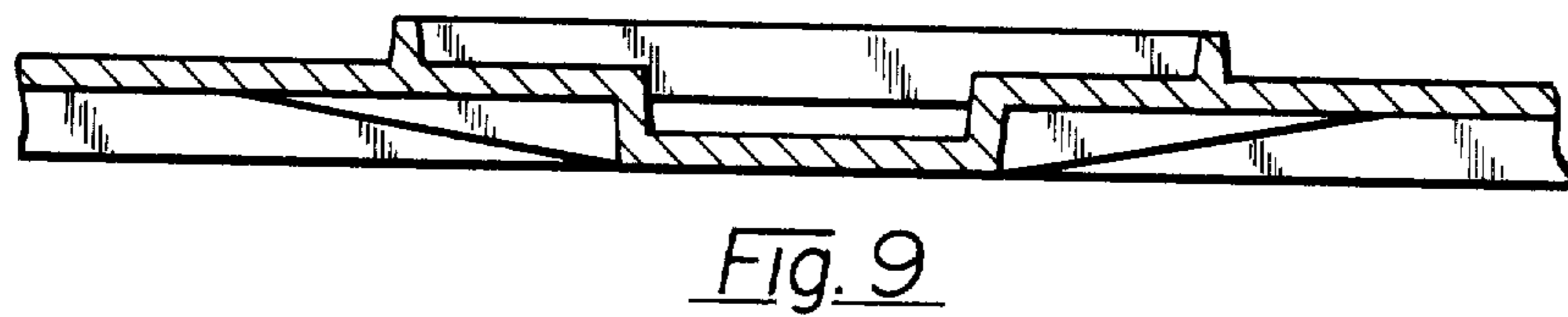
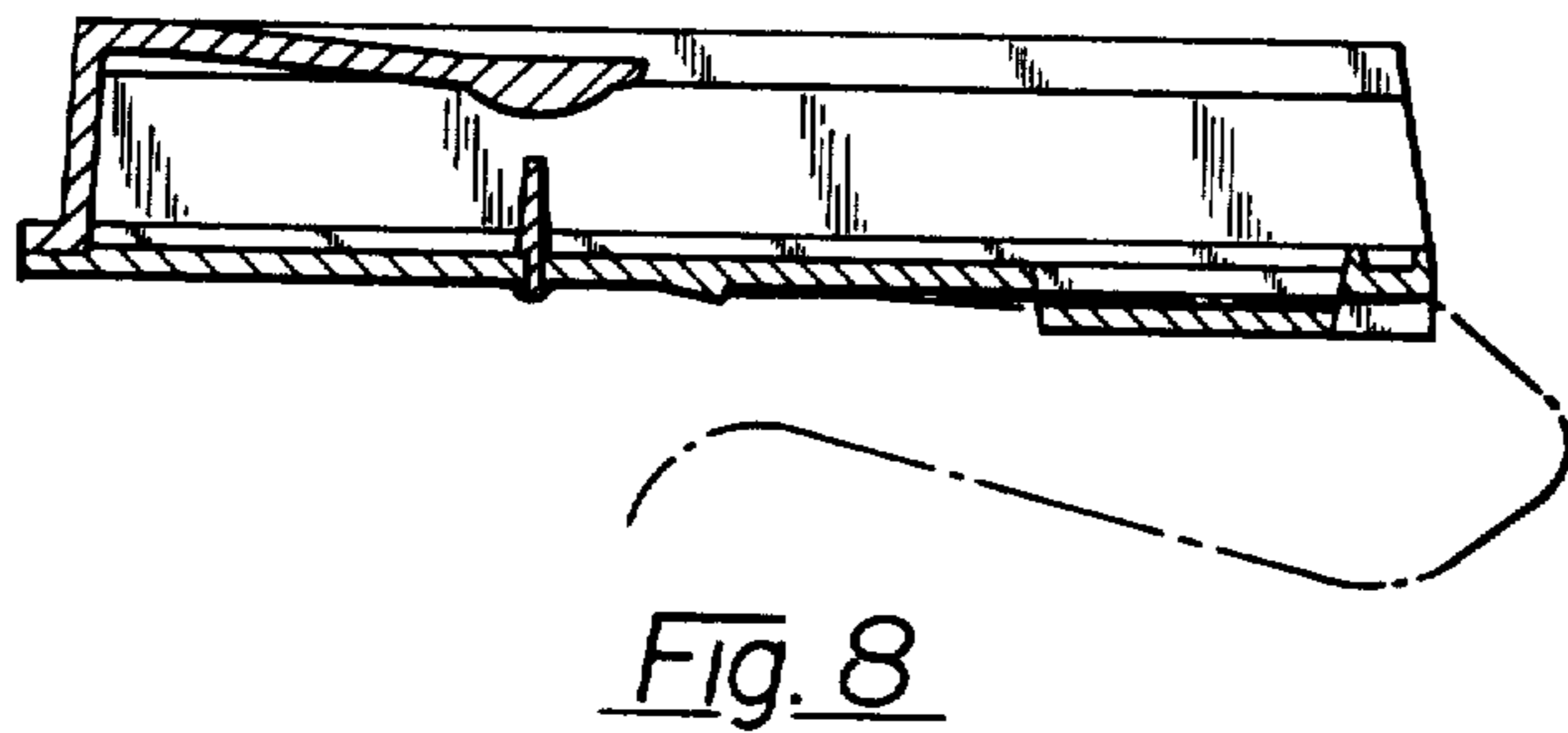
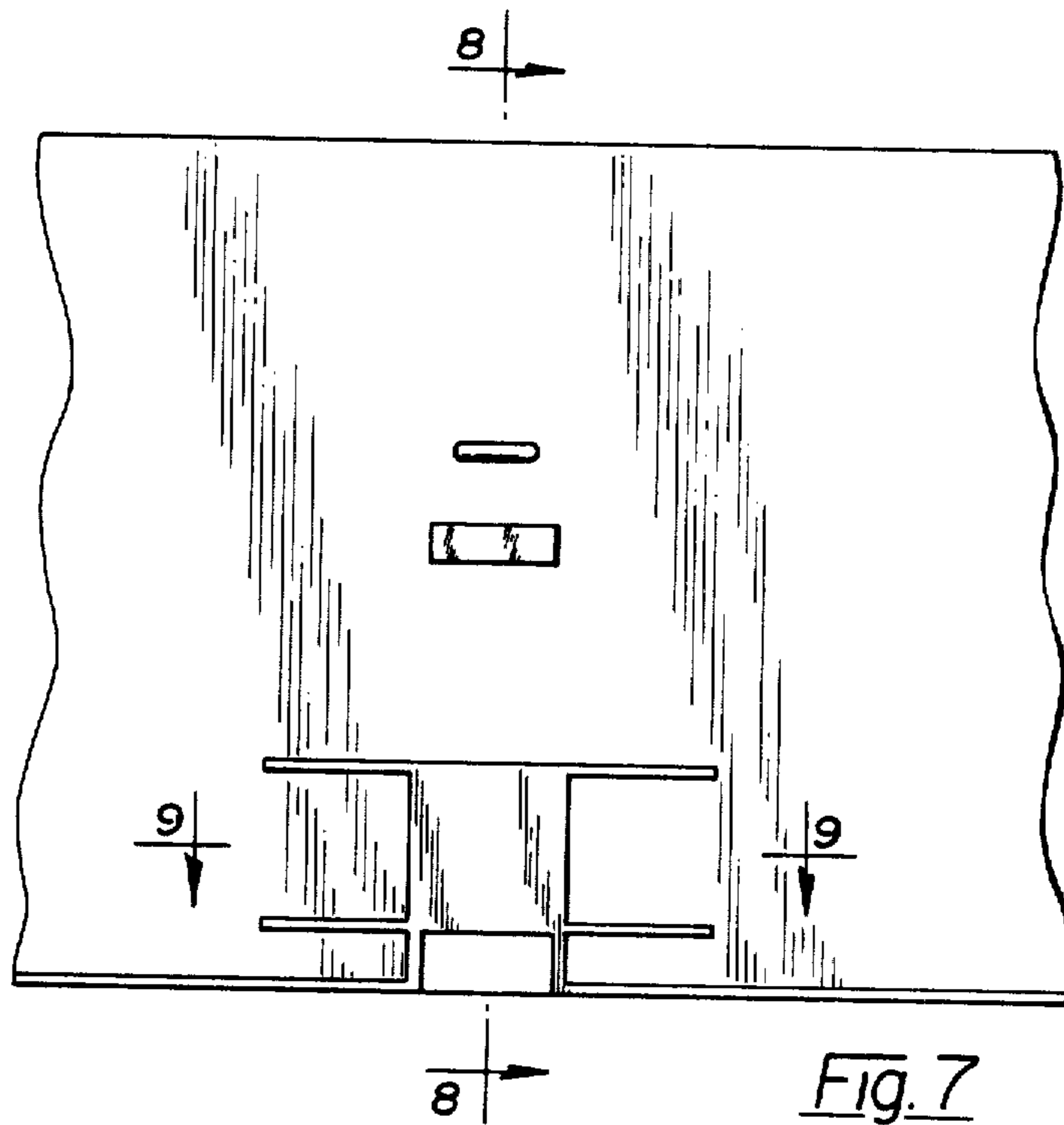


FIG. 5



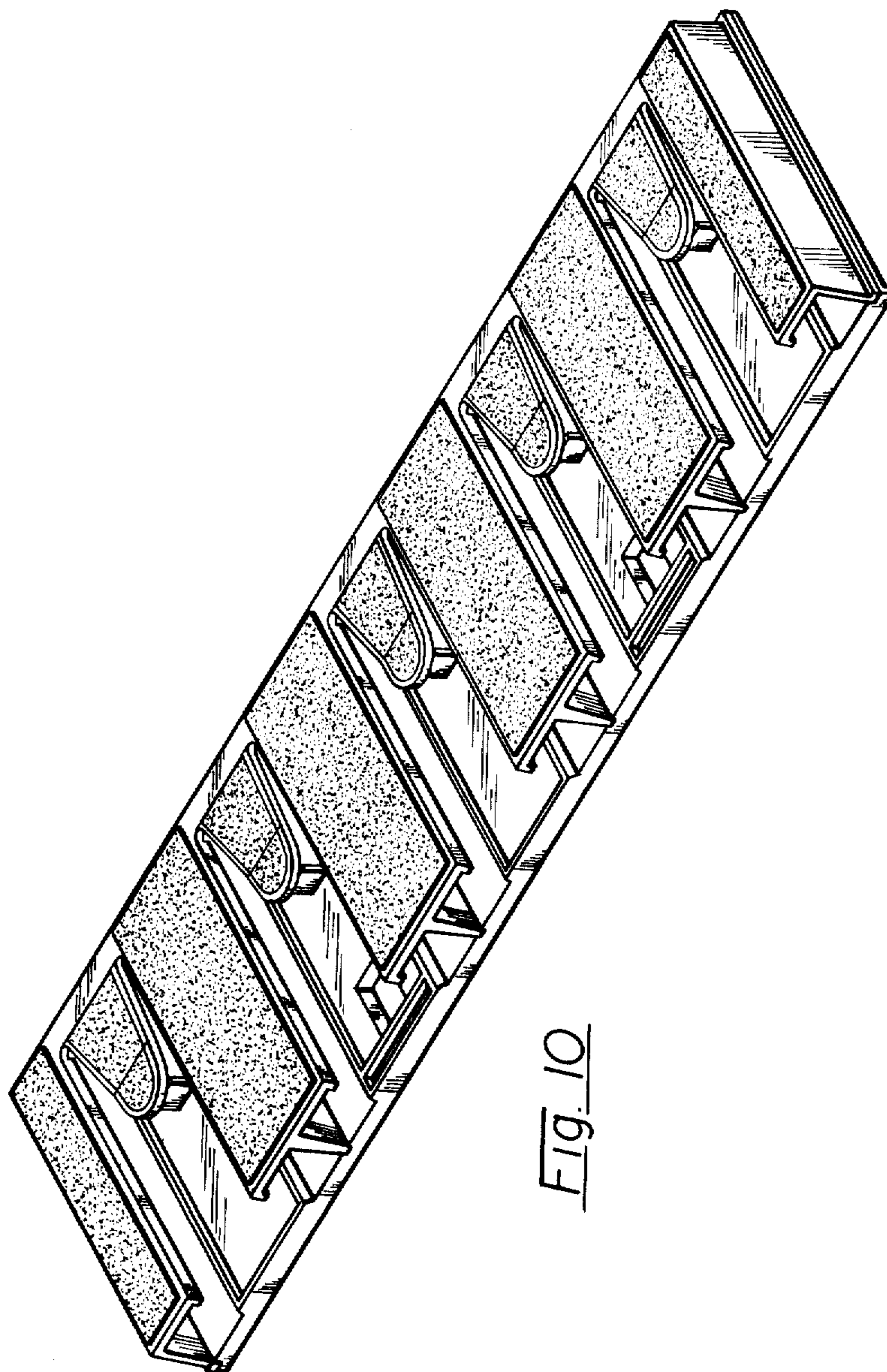


Fig. 10

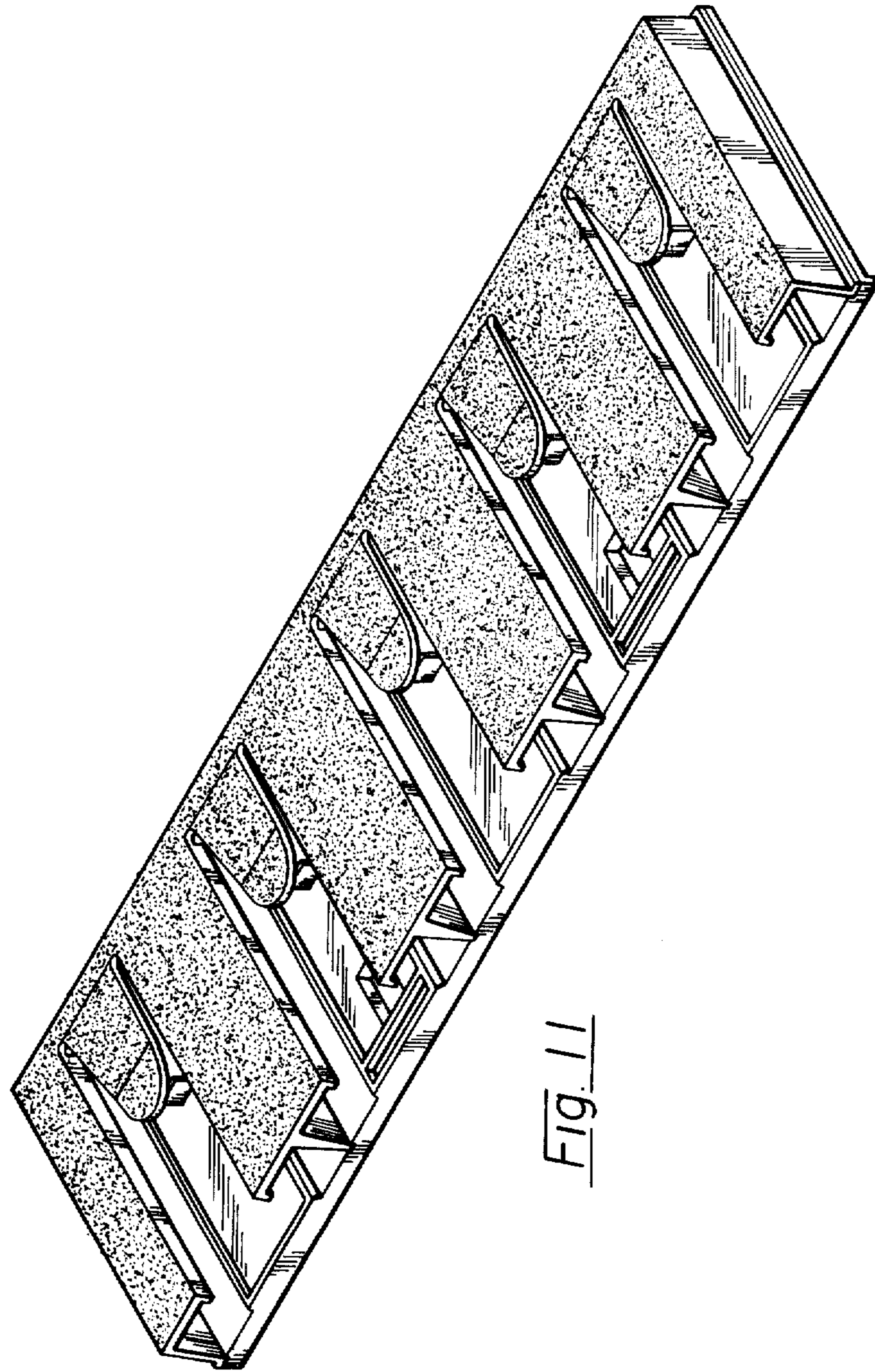


Fig. 11