

[54] **FRAME MEMBER FOR WINDOWS OR THE LIKE**

[75] **Inventor:** Dietrich F. Schmidt, Camp Hill, Pa.

[73] **Assignee:** Capitol Products Corporation, Mechanicsburg, Pa.

[\*\*] **Term:** 14 Years

[21] **Appl. No.:** 115,085

[22] **Filed:** Jan. 24, 1980

[51] **Int. Cl.** ..... D25-01

[52] **U.S. Cl.** ..... D25/74

[58] **Field of Search** ..... D25/48, 52, 73, 74, D25/75, 76; 52/731, 735, 202; 49/63, 75, 504

[56] **References Cited**

**U.S. PATENT DOCUMENTS**

D. 251,448 3/1979 Bancroft et al. .... D25/74  
4,048,774 9/1977 Yamamoto ..... D25/74 X

*Primary Examiner*—A. Hugo Word  
*Attorney, Agent, or Firm*—Donald L. Johnson; John F. Sieberth; James M. Pelton

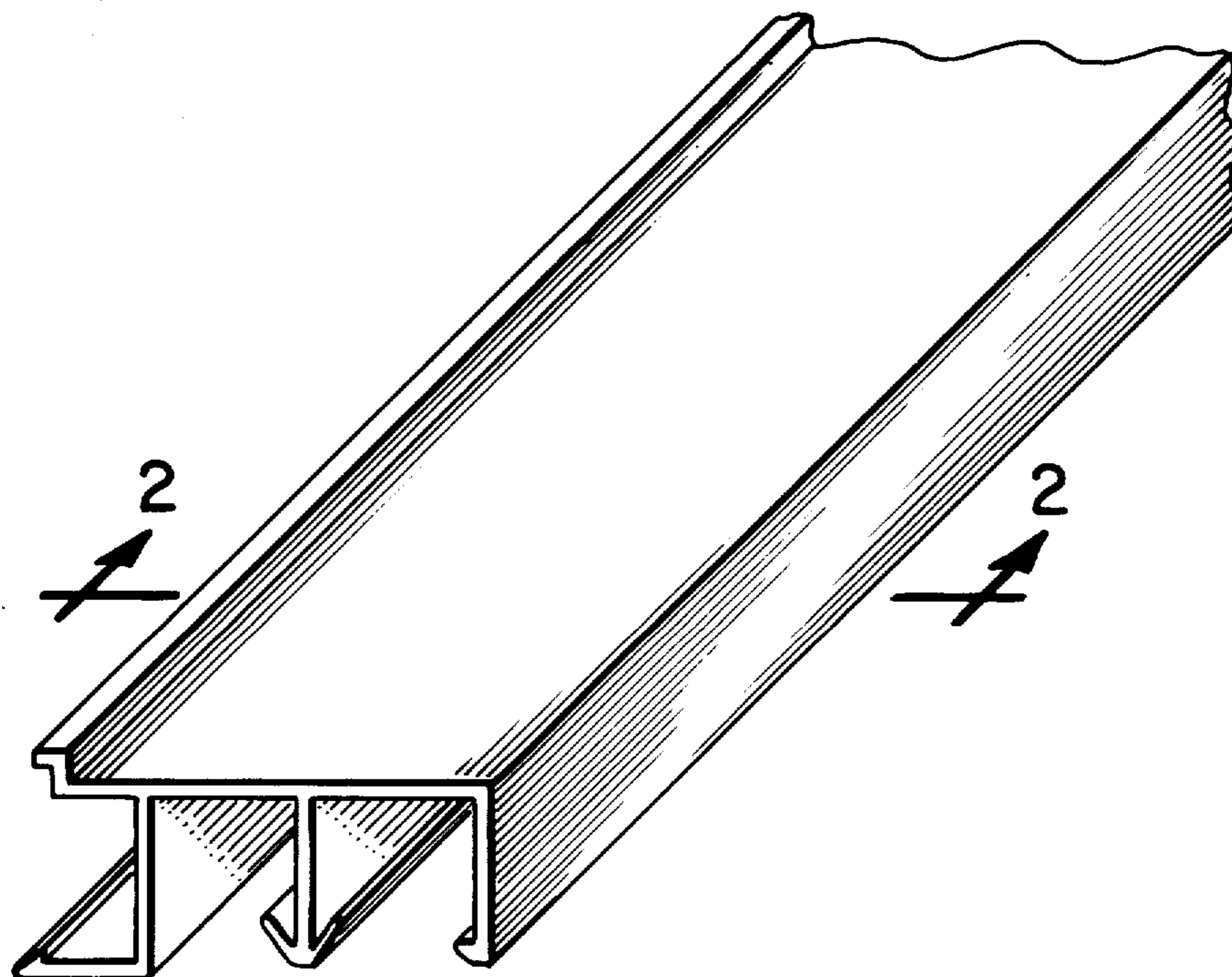
[57] **CLAIM**

The ornamental design for a frame member for windows or the like, substantially as shown and described.

**DESCRIPTION**

FIG. 1 is a perspective view of a frame member for windows or the like embodying my new design, shown fragmentarily to indicate indeterminate length.

FIG. 2 is a sectional view thereof, taken along line 2-2 of FIG. 1.



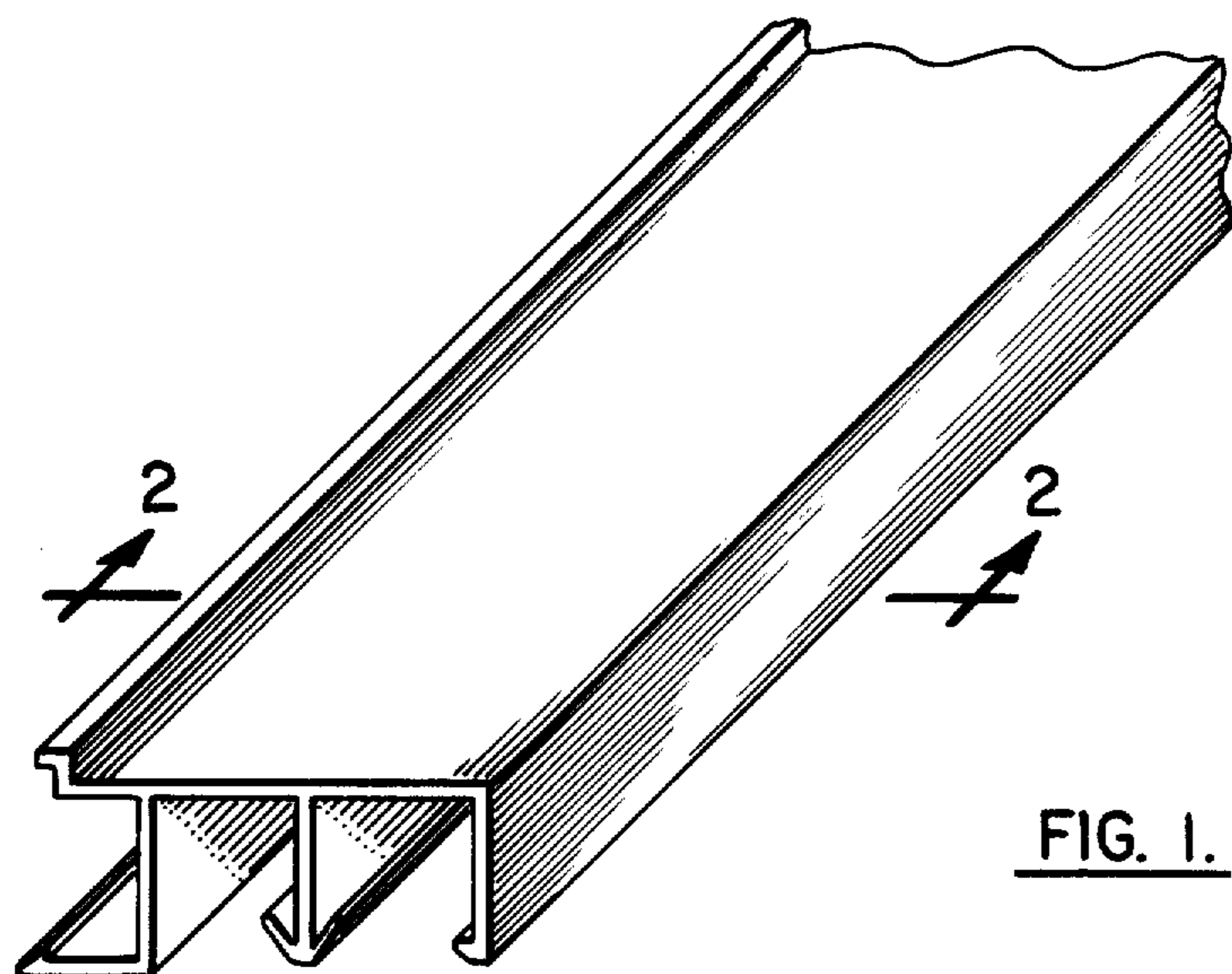


FIG. 1.

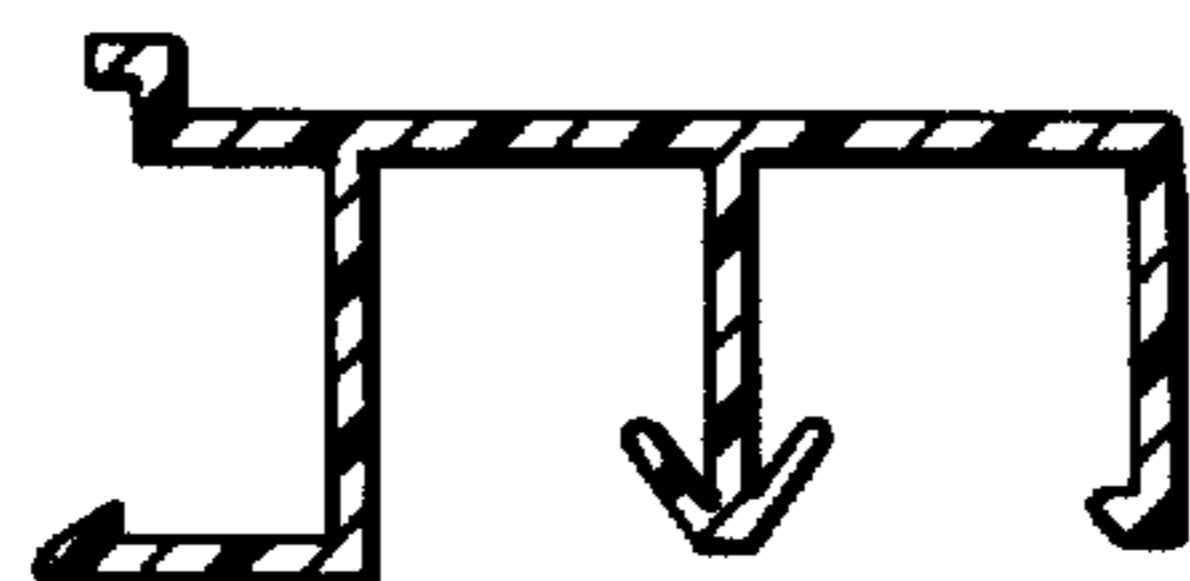


FIG. 2.