

[54] **FRAME MEMBER FOR WINDOWS OR THE LIKE**

[75] **Inventor:** Dietrich F. Schmidt, Camp Hill, Pa.

[73] **Assignee:** Capitol Products Corporation, Mechanicsburg, Pa.

[**] **Term:** 14 Years

[21] **Appl. No.:** 113,641

[22] **Filed:** Jan. 21, 1980

[51] **Int. Cl.** D25—01

[52] **U.S. Cl.** D25/74

[58] **Field of Search** D25/48, 52, 73, 74, D25/75, 76; 52/731, 735, 202; 49/63, 75, 504

[56] **References Cited**

U.S. PATENT DOCUMENTS

D. 251,134	2/1979	Bancroft et al.	D25/74
D. 251,447	3/1979	Bancroft et al.	D25/74
D. 251,448	3/1979	Bancroft et al.	D25/74
4,048,774	9/1977	Yamamoto	D25/74 X

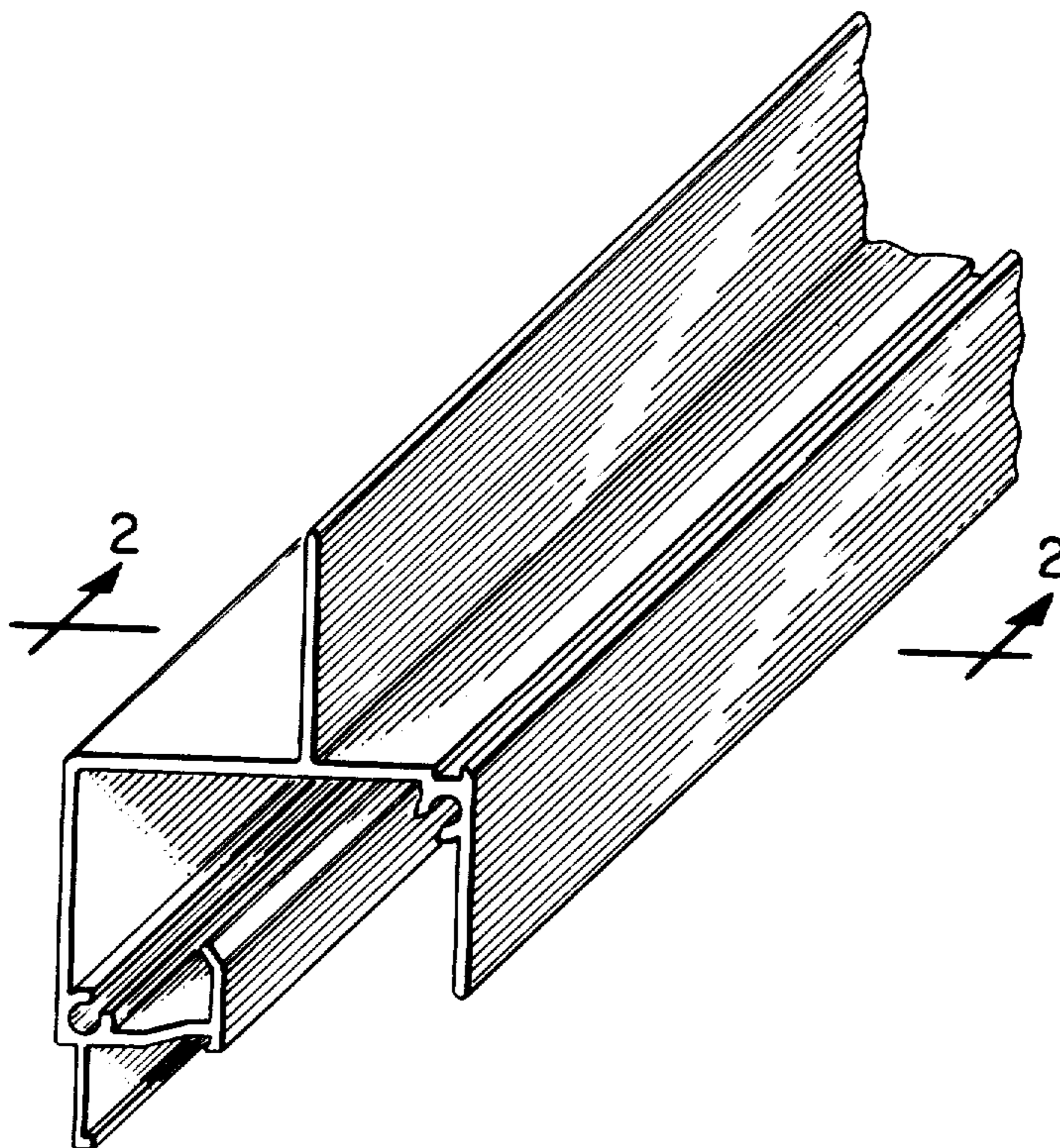
Primary Examiner—A. Hugo Word
Attorney, Agent, or Firm—Donald L. Johnson; John F. Sieberth; James M. Pelton

[57] **CLAIM**

The ornamental design for a frame member for windows or the like, substantially as shown and described.

DESCRIPTION

FIG. 1 is a perspective view of a frame member for windows or the like embodying my new design, shown fragmentarily to indicate indeterminate length. FIG. 2 is a sectional view thereof, taken along line 2—2 of FIG. 1.



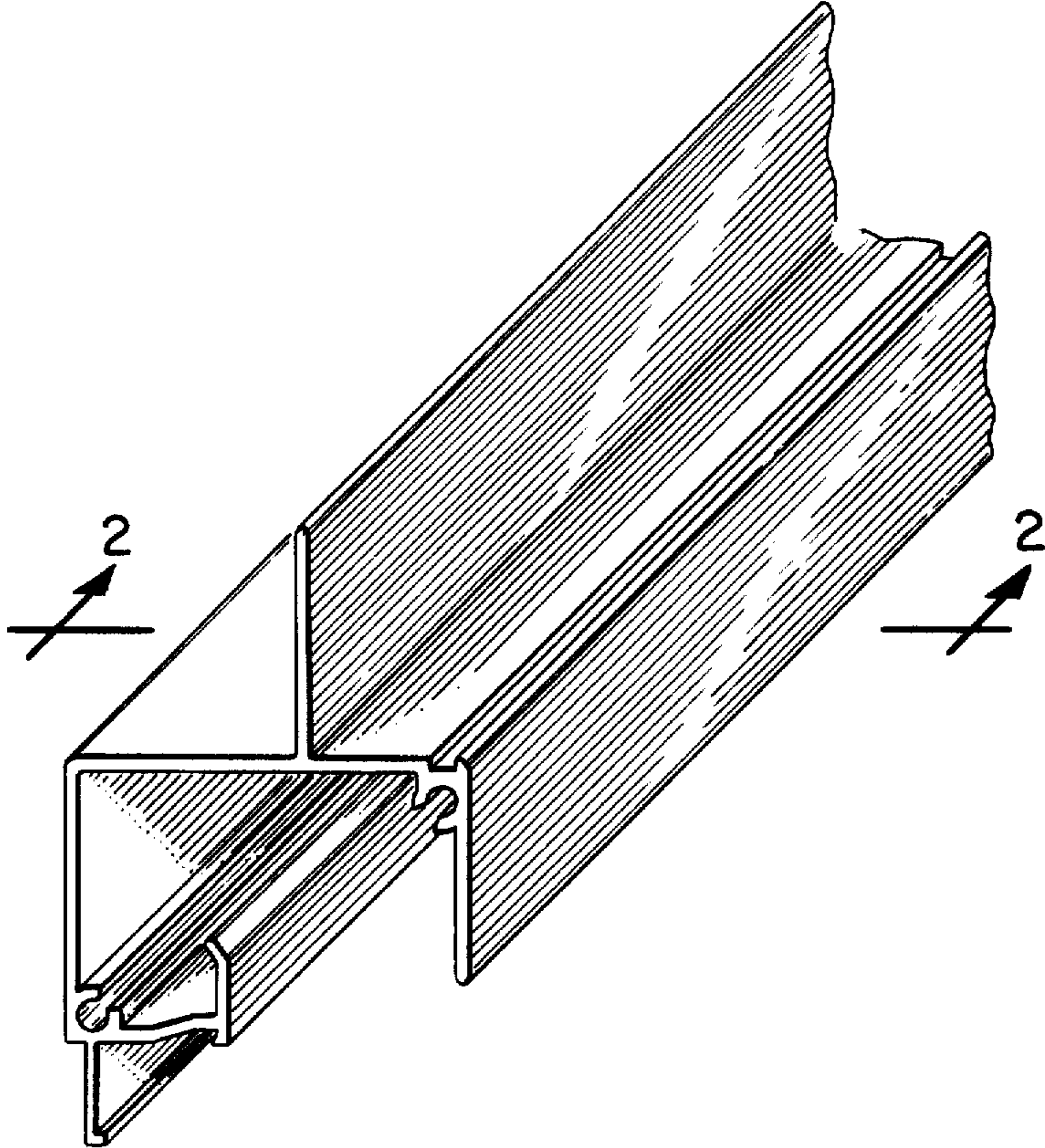


FIG. 1.

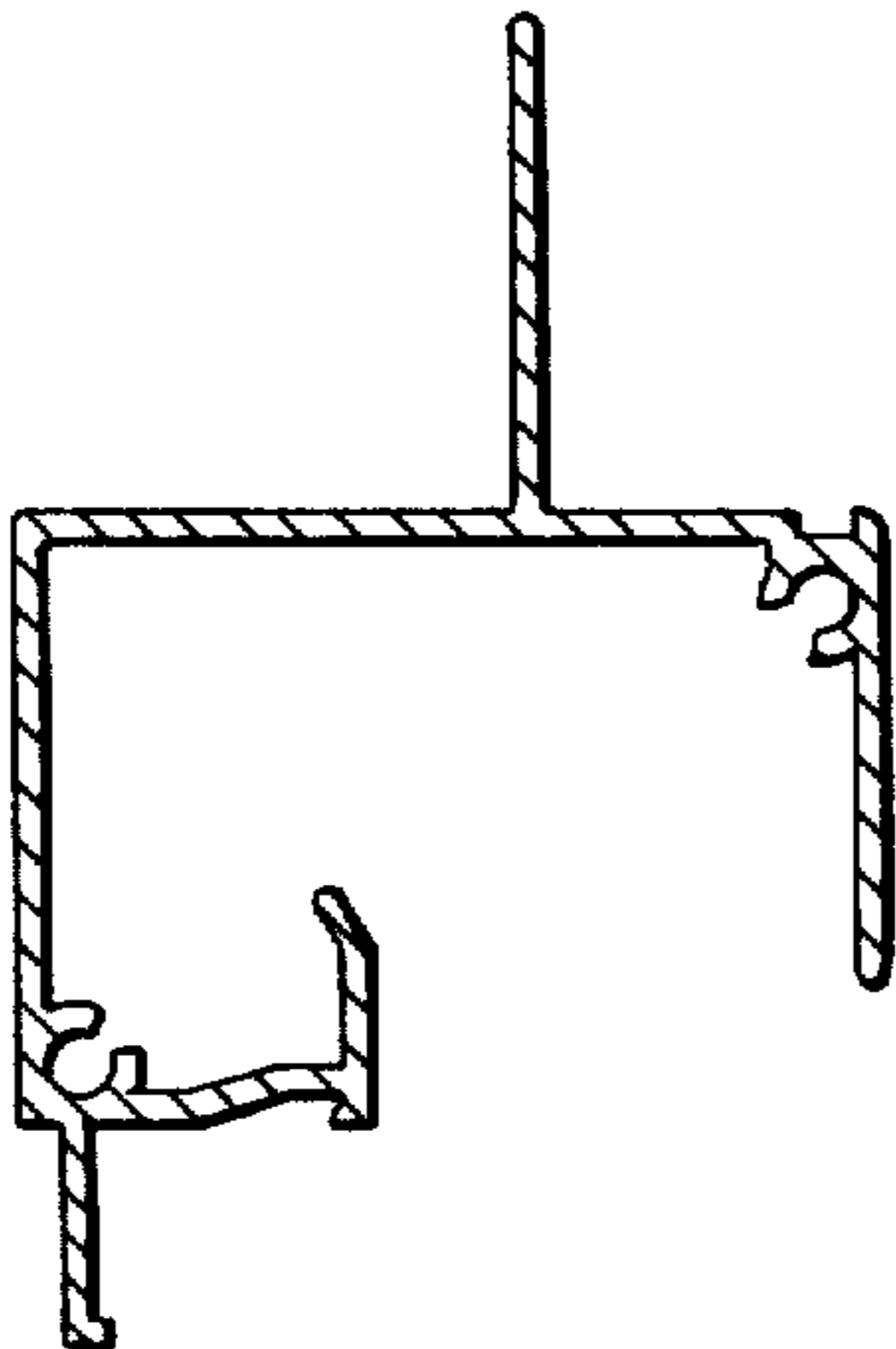


FIG. 2.