

[54] FRAME MEMBER FOR WINDOWS OR THE LIKE

[75] Inventor: Dietrich F. Schmidt, Camp Hill, Pa.

[73] Assignee: Capitol Products Corporation, Mechanicsburg, Pa.

[\*\*] Term: 14 Years

[21] Appl. No.: 113,566

[22] Filed: Jan. 21, 1980

[51] Int. Cl. .... D25-01

[52] U.S. Cl. .... D25/74

[58] Field of Search ..... D25/48, 52, 73, 74, D25/75, 76; 52/731, 735, 202; 49/63, 75, 504

[56]

References Cited

U.S. PATENT DOCUMENTS

D. 251,448 3/1979 Bancroft et al. .... D25/74  
4,048,774 9/1977 Yamamoto ..... D25/74 X

Primary Examiner—A. Hugo Word  
Attorney, Agent, or Firm—Donald L. Johnson; John F. Sieberth; James M. Pelton

[57]

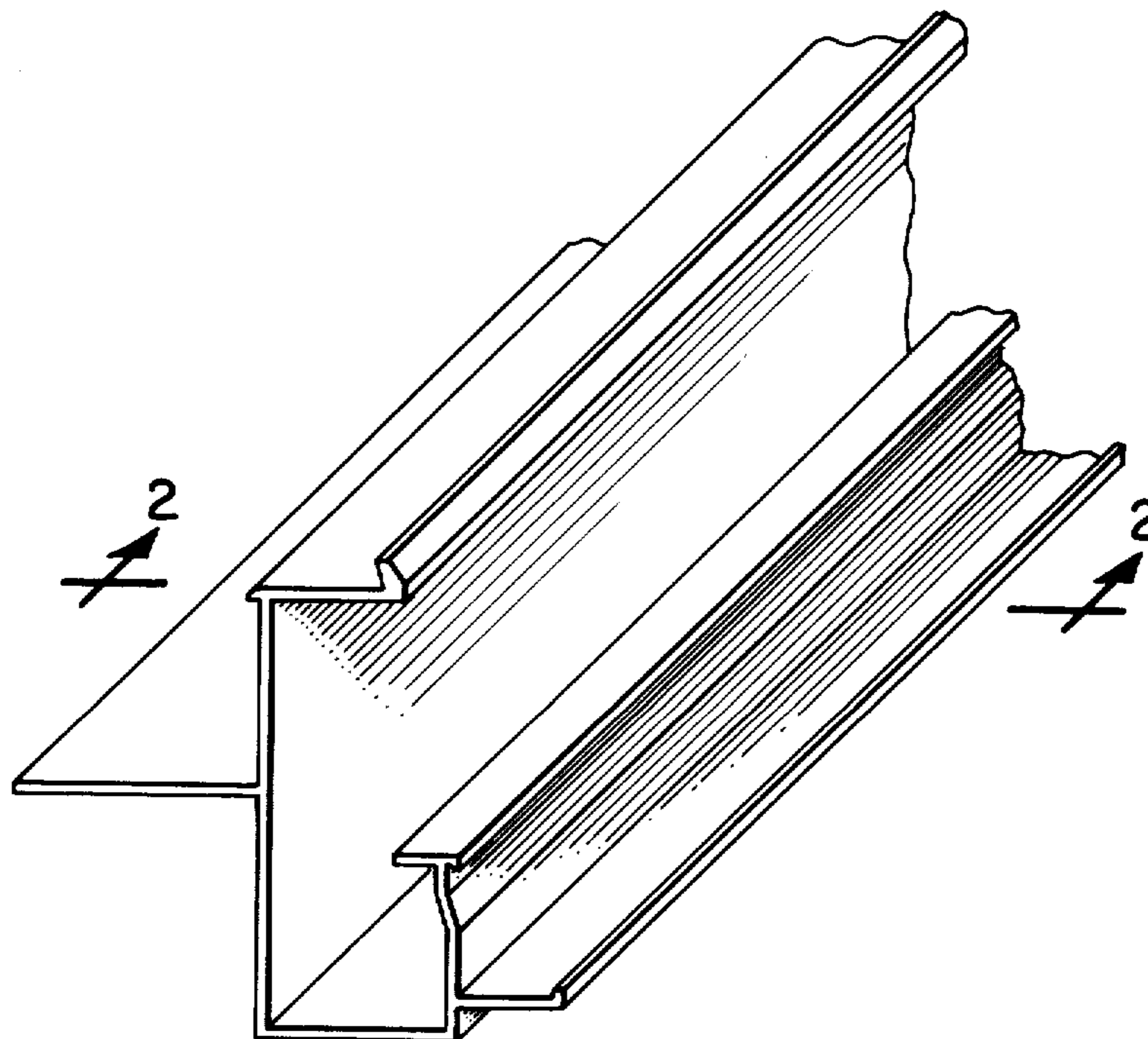
CLAIM

The ornamental design for a frame member for windows or the like, substantially as shown and described.

DESCRIPTION

FIG. 1 is a perspective view of a frame member for windows or the like embodying my new design, shown fragmentarily to indicate indeterminate length.

FIG. 2 is a sectional view thereof, taken along line 2—2 of FIG. 1.



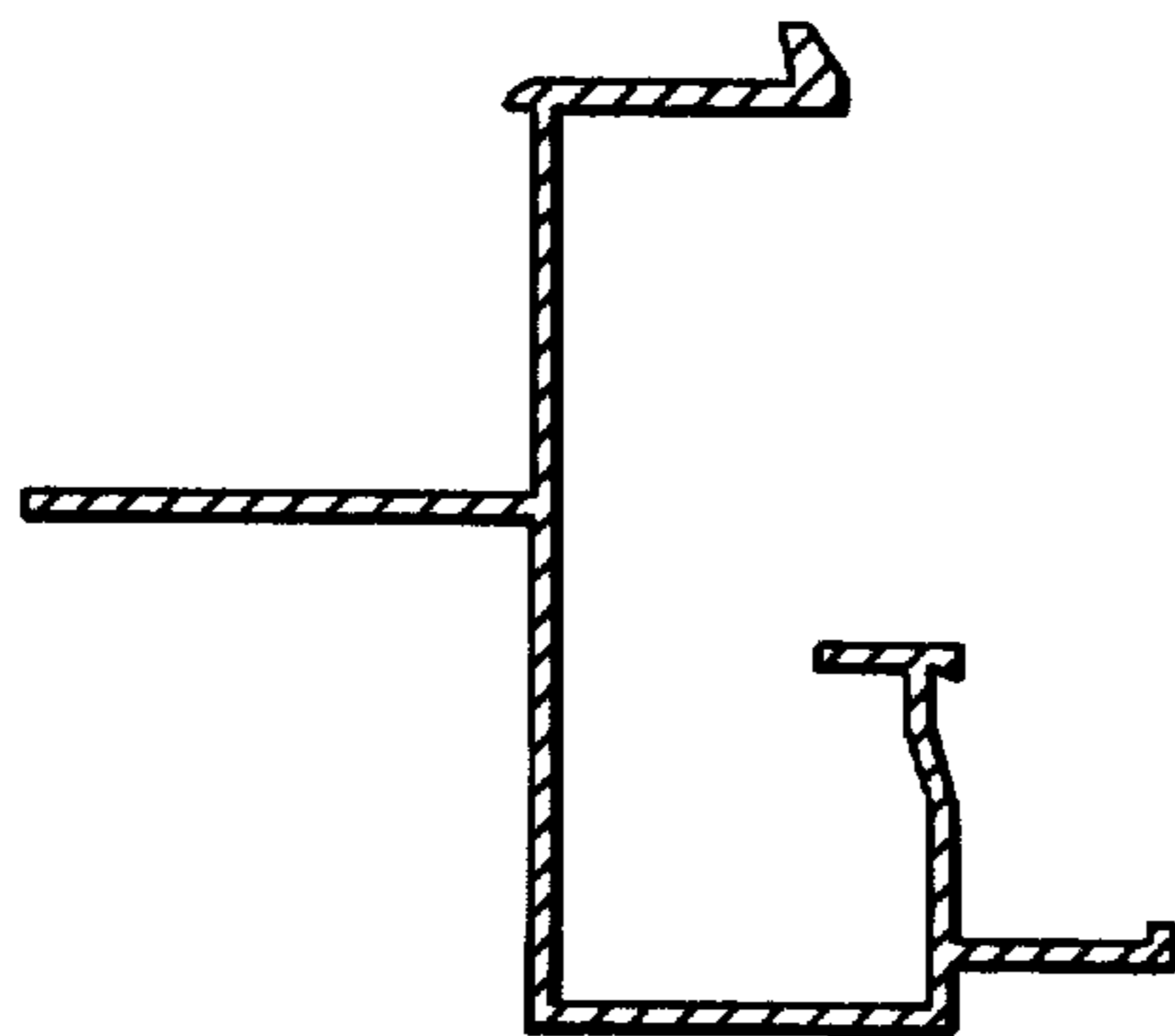
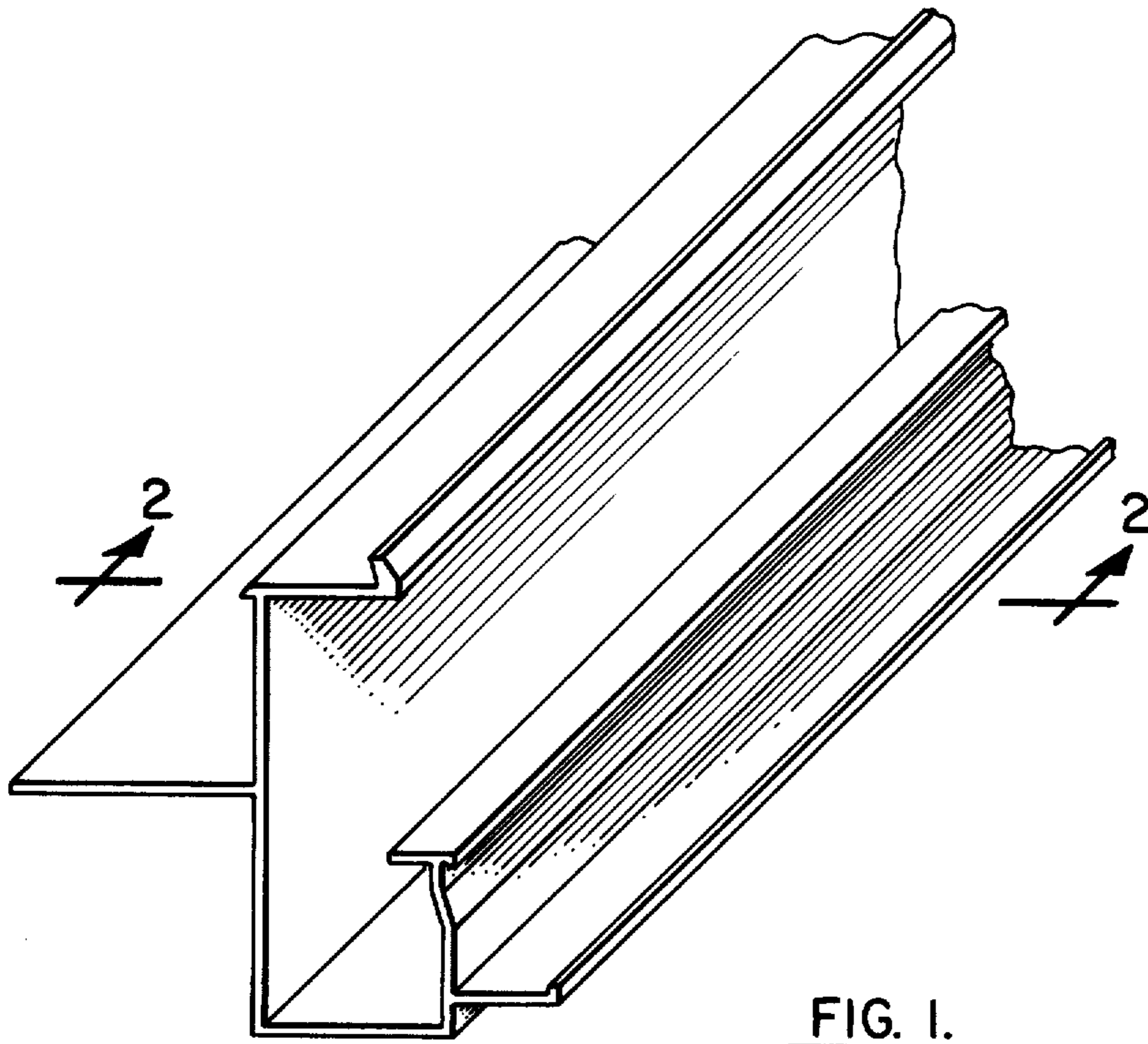


FIG. 2.