

[54] FRAME MEMBER FOR WINDOWS OR THE LIKE

[75] Inventor: Dietrich F. Schmidt, Camp Hill, Pa.

[73] Assignee: Capitol Products Corporation, Mechanicsburg, Pa.

[**] Term: 14 Years

[21] Appl. No.: 113,562

[22] Filed: Jan. 21, 1980

[51] Int. Cl. D25-01

[52] U.S. Cl. D25/74

[58] Field of Search 52/731, 735, 202; D25/48, 52, 73, 74, 75, 76; 49/63, 75, 506

[56] References Cited

U.S. PATENT DOCUMENTS

D. 251,134	2/1979	Bancroft et al.	D25/74
D. 251,447	3/1979	Bancroft et al.	D25/74
D. 251,448	3/1979	Bancroft et al.	D25/74
4,048,774	9/1977	Yamamoto	D25/74 X

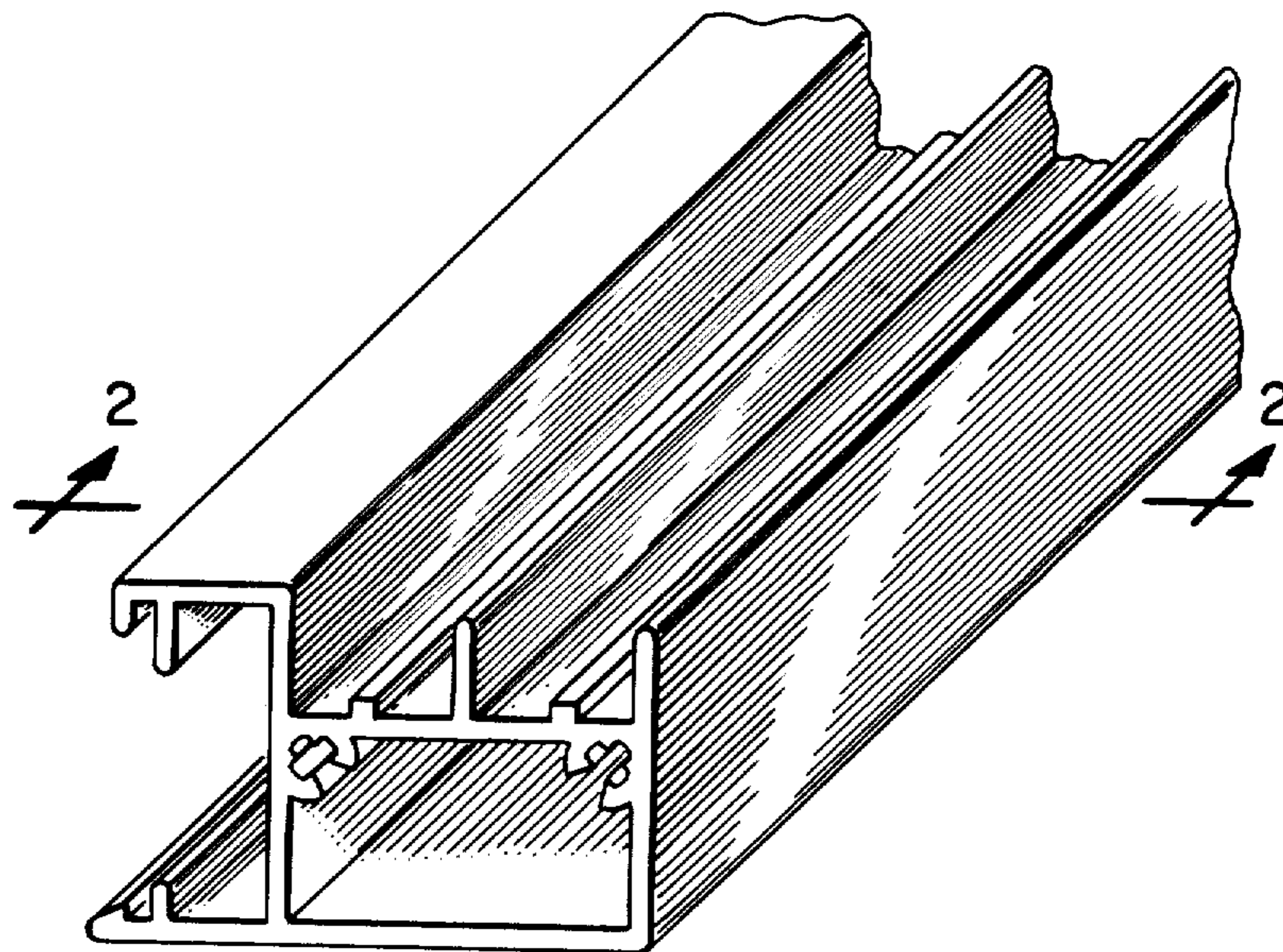
Primary Examiner—A. Hugo Word
Attorney, Agent, or Firm—Donald L. Johnson; John F. Sieberth; James M. Pelton

[57] CLAIM

The ornamental design for a frame member for windows or the like, substantially as shown and described.

DESCRIPTION

FIG. 1 is a perspective view of a frame member for windows or the like embodying my new design, shown fragmentarily to indicate indeterminate length. FIG. 2 is a sectional view thereof, taken along line 2—2 of FIG. 1.



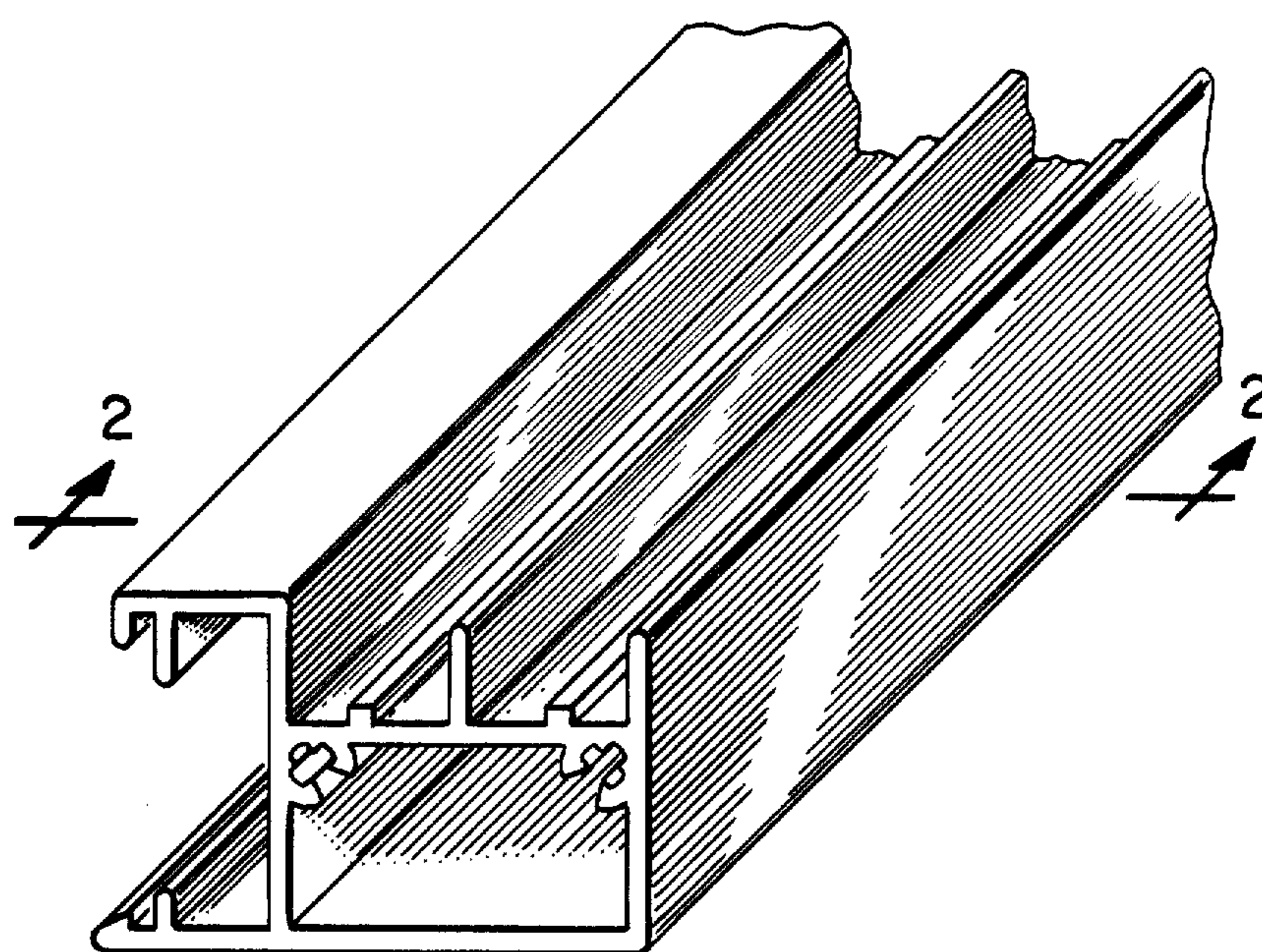


FIG. 1.

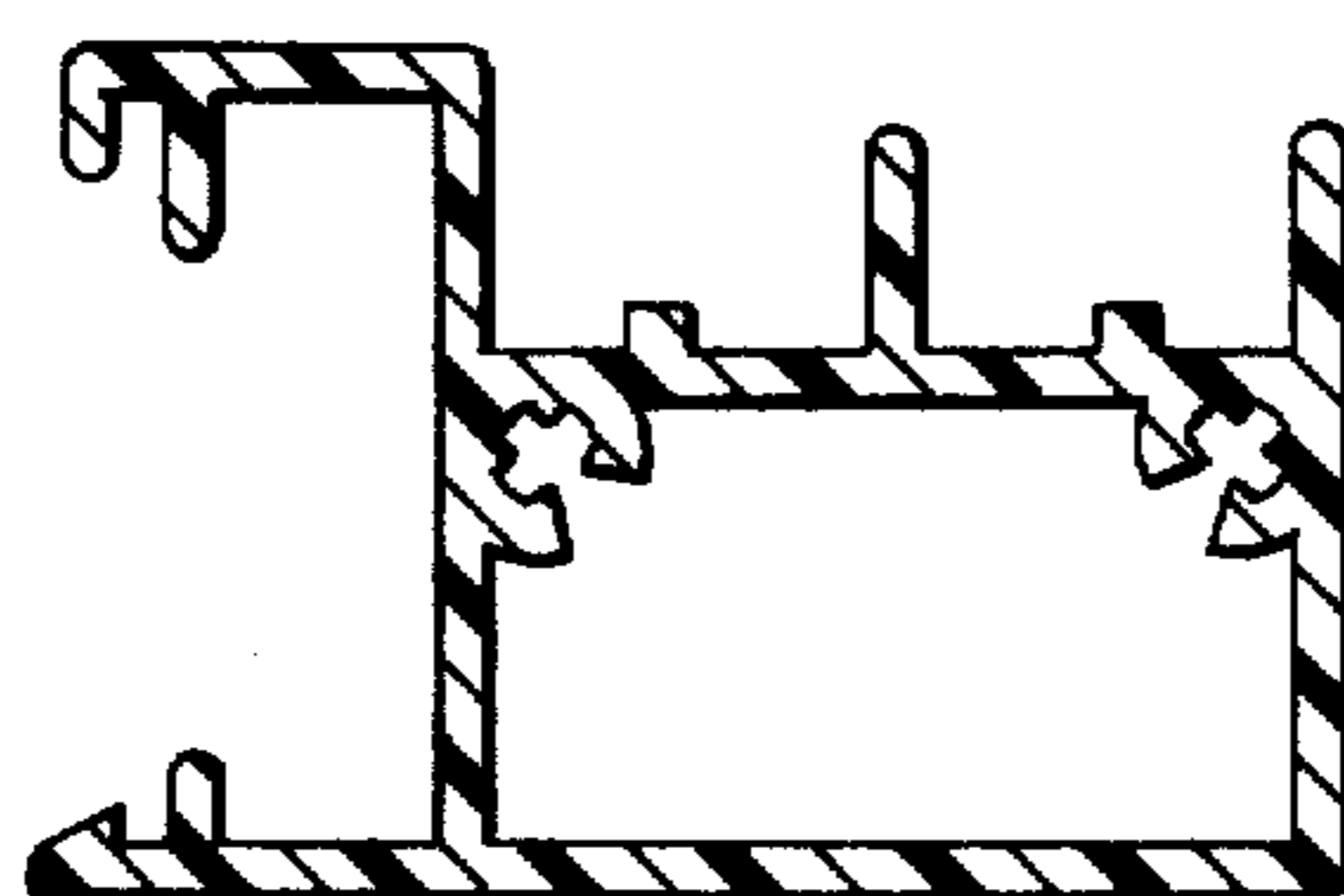


FIG. 2.