

[54] **FRAME MEMBER FOR WINDOWS OR THE LIKE**

[75] **Inventor: Dietrich F. Schmidt, Camp Hill, Pa.**

[73] **Assignee: Capitol Products Corporation, Mechanicsburg, Pa.**

[\*\*] **Term: 14 Years**

[21] **Appl. No.: 113,561**

[22] **Filed: Jan. 21, 1980**

[51] **Int. Cl. .... D25-01**  
[52] **U.S. Cl. .... D25/74**  
[58] **Field of Search .... D25/48, 52, 73, 74, D25/75, 76; 52/731, 735, 202; 41/63, 75, 504**

[56]

**References Cited**

**U.S. PATENT DOCUMENTS**

D. 251,134	2/1979	Bancroft et al. ....	D25/74
D. 251,447	3/1979	Bancroft et al. ....	D25/74
D. 251,448	3/1979	Bancroft et al. ....	D25/74
4,048,774	9/1977	Yamamoto .....	D25/74 X

*Primary Examiner*—A. Hugo Word  
*Attorney, Agent, or Firm*—Donald L. Johnson; John F. Sieberth; James M. Pelton

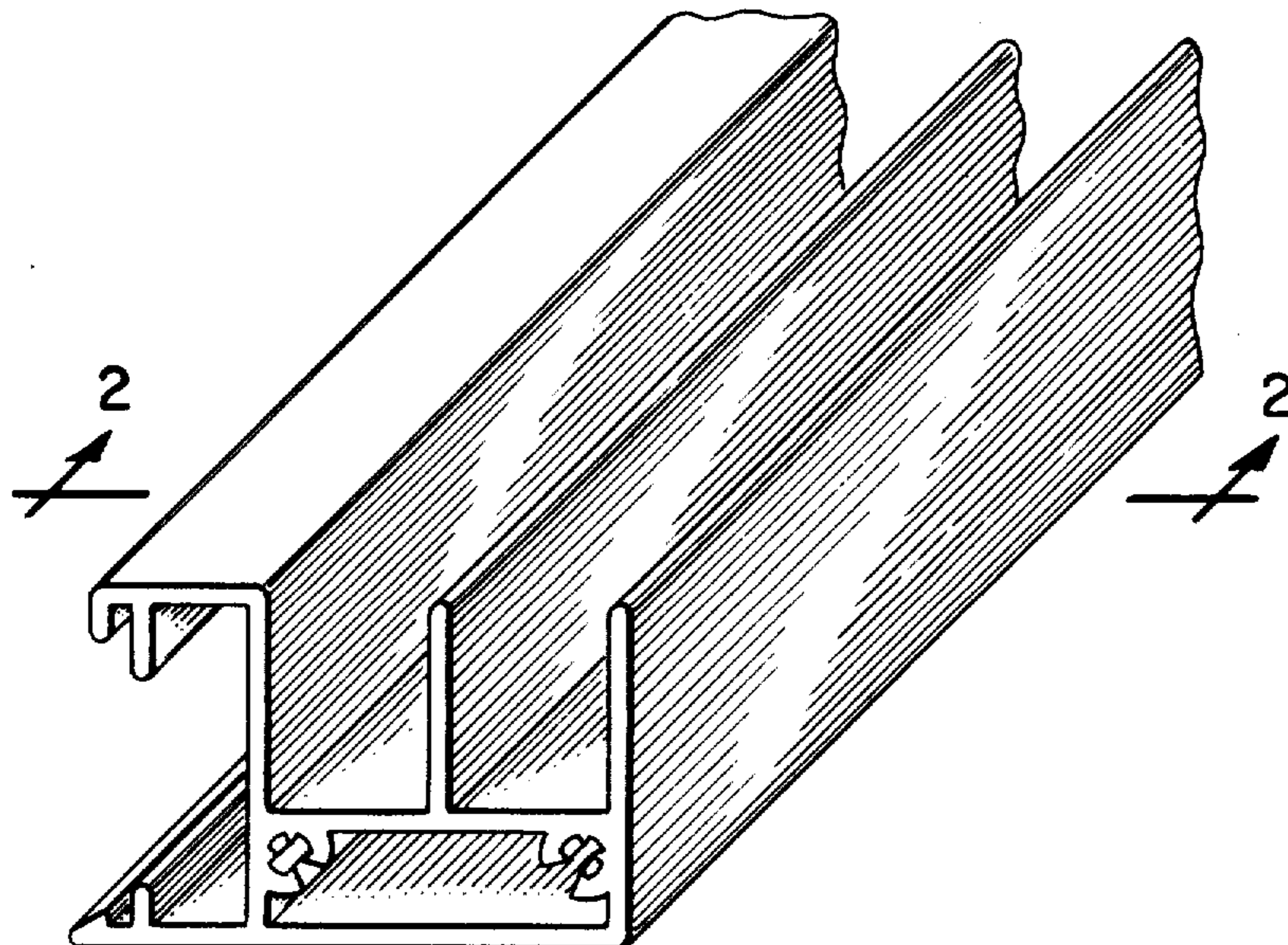
[57]

**CLAIM**

The ornamental design for a frame member for windows or the like, substantially as shown and described.

**DESCRIPTION**

FIG. 1 is a perspective view of a frame member for windows or the like embodying my new design, shown fragmentarily to indicate indeterminate length. FIG. 2 is a sectional view thereof, taken along line 2—2 of FIG. 1.



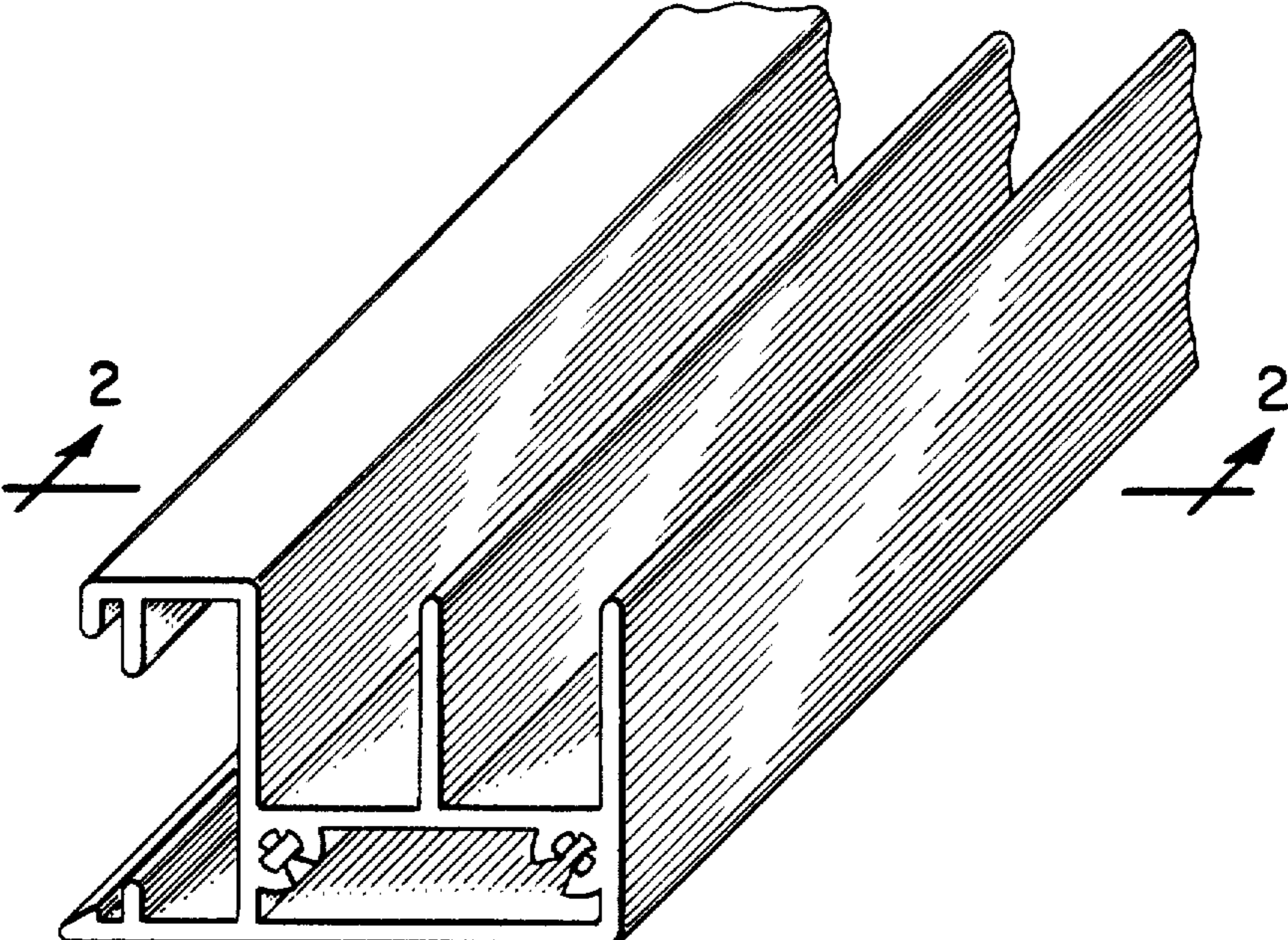


FIG. 1.

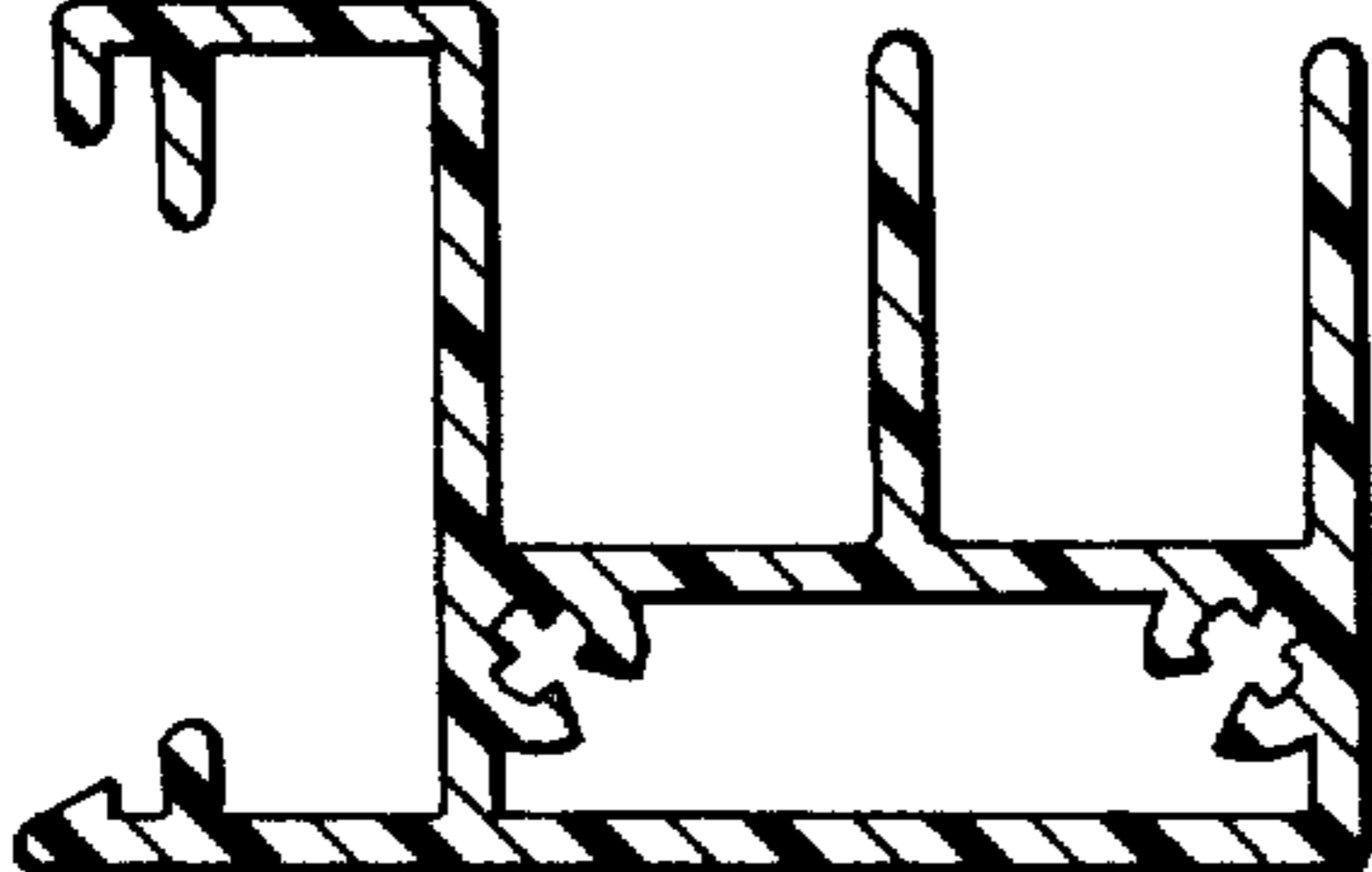


FIG. 2.