

[54] DENTAL HANDPIECE

[75] Inventors: N. Dominic Marucci, Philadelphia; David B. Wright, Wayne, both of Pa.

[73] Assignee: Syntex (U.S.A.) Inc., Palo Alto, Calif.

[\*\*] Term: 14 Years

[21] Appl. No.: 947,123

[22] Filed: Sep. 29, 1978

[51] Int. Cl. .... D24-02

[52] U.S. Cl. .... D24/12

[58] Field of Search ..... 433/84, 85, 86, 132, 433/133; D24/12

[56] References Cited

U.S. PATENT DOCUMENTS

D. 162,002	2/1951	Brown	.....	D24/12
D. 241,550	9/1976	Morin	.....	D24/12
3,411,212	11/1968	Staunt	.....	433/87
3,439,422	4/1969	Doeden et al.	.....	433/133

OTHER PUBLICATIONS

Midwest American Division, ©1968, Miniature Quiet—Art Dental Handpiece.

Primary Examiner—Bernard Ansher  
Attorney, Agent, or Firm—John A. Dhuey; Joseph I. Hirsch

[57] CLAIM

The ornamental design for a dental handpiece, as shown and described.

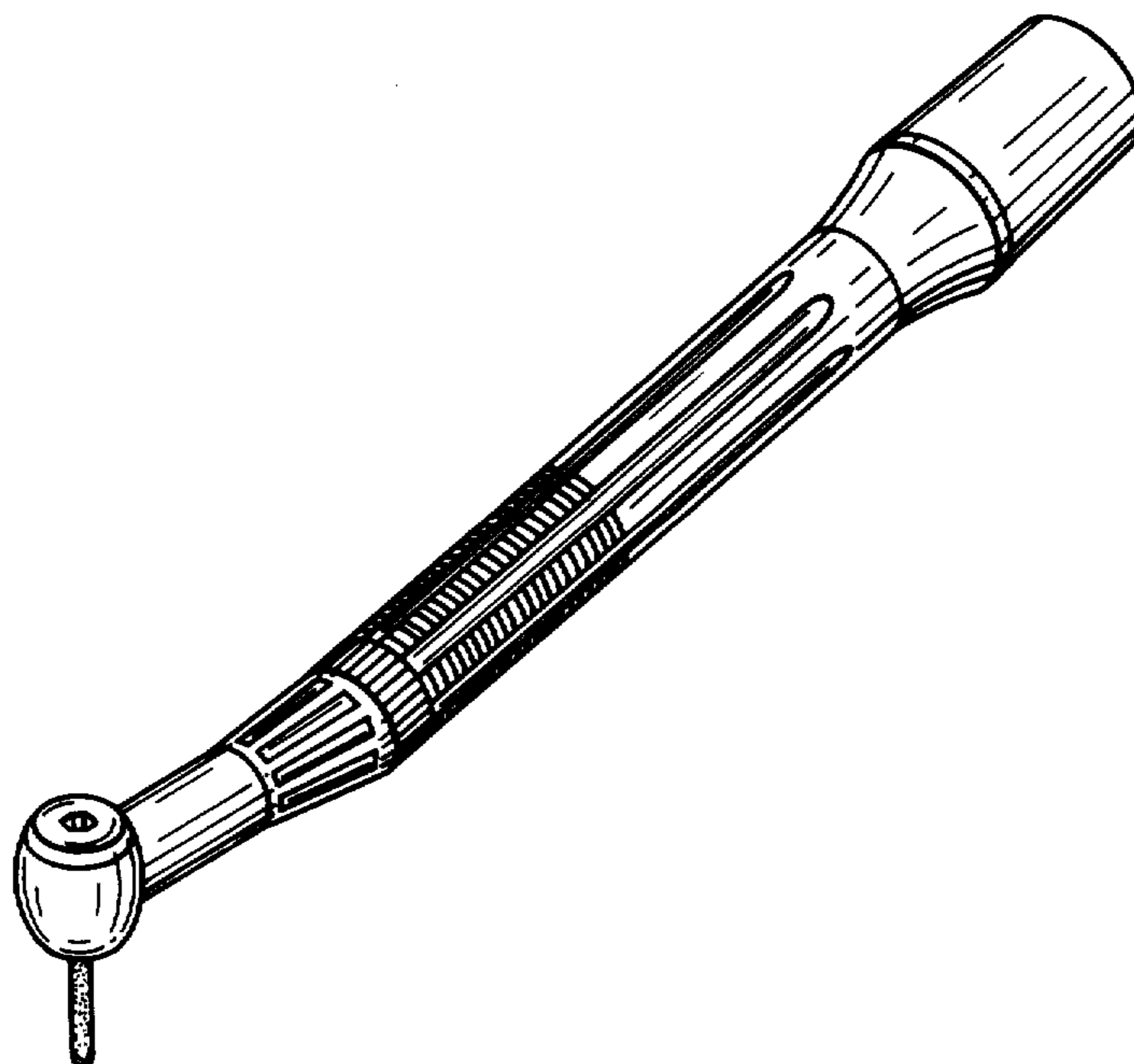
DESCRIPTION

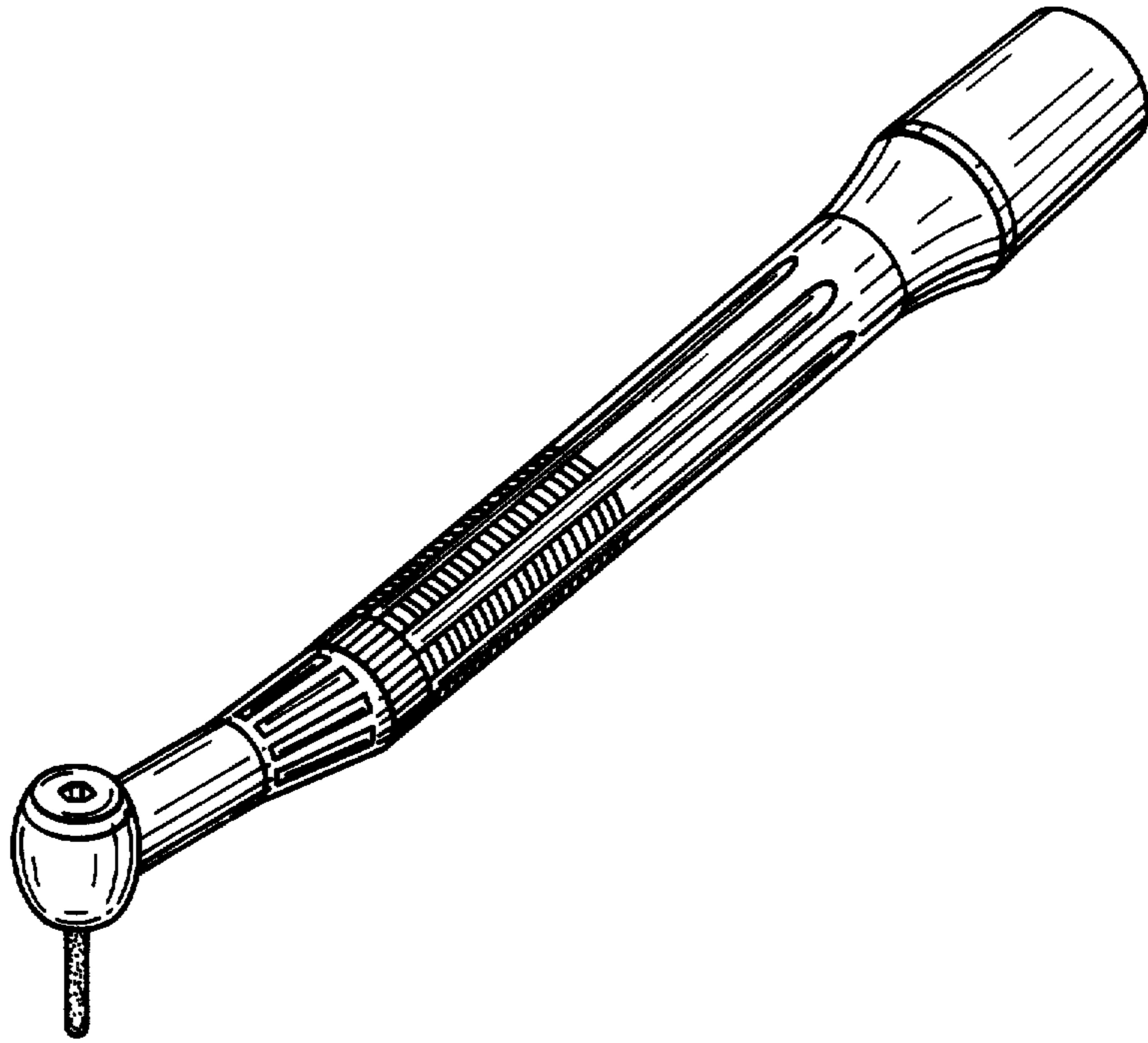
FIG. 1 is a perspective view of a dental handpiece showing our new design;

FIG. 2 is a left side elevational view thereof, the right side elevational view being a mirror-image of the left side view;

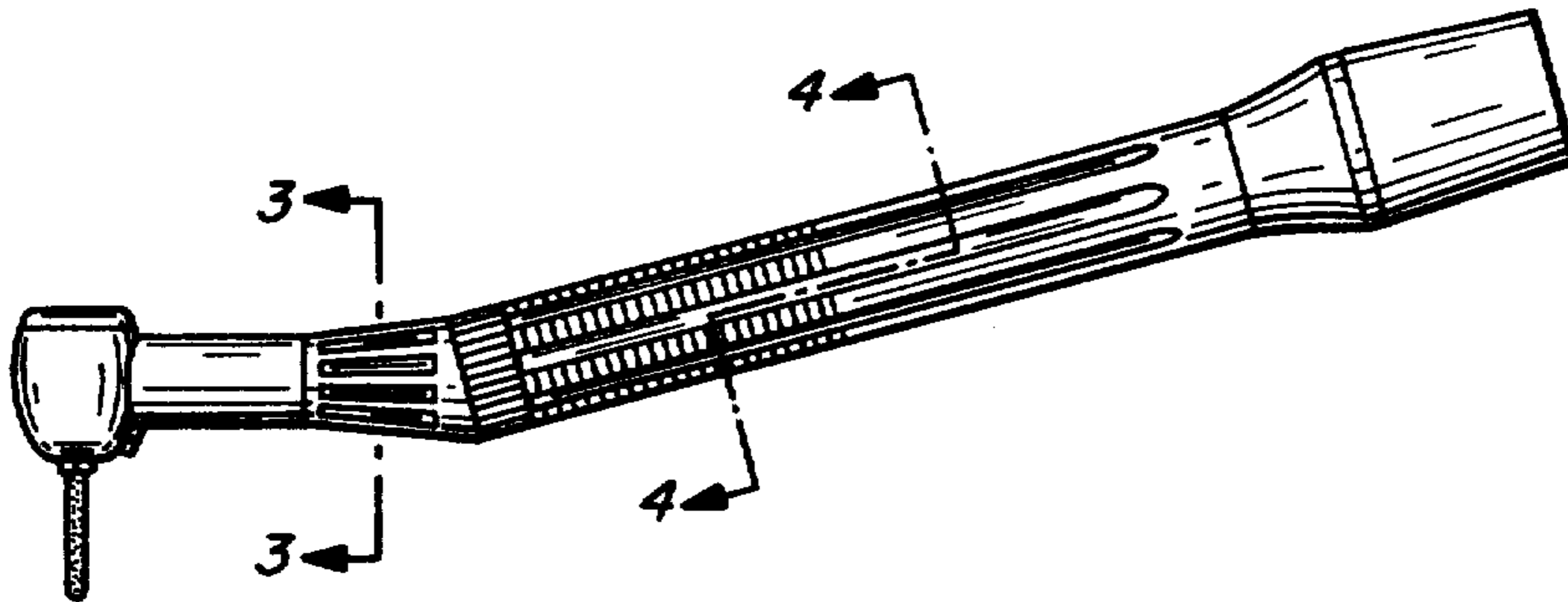
FIG. 3 is an enlarged cross-section taken on line 3—3 of FIG. 2; and

FIG. 4 is an enlarged cross-section taken on line 4—4 of FIG. 2.

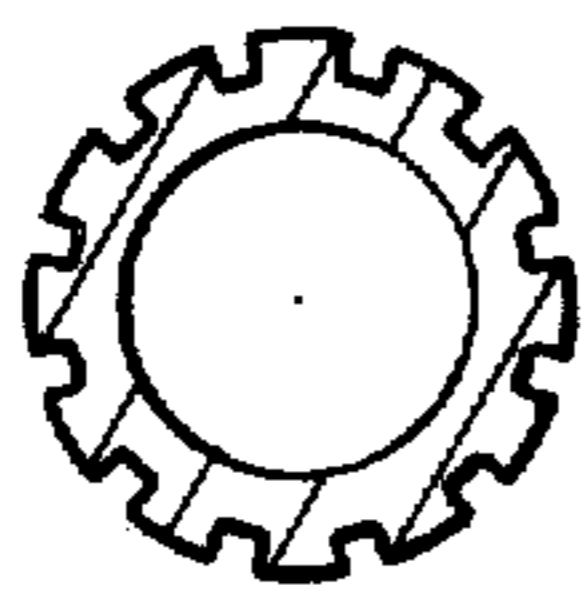




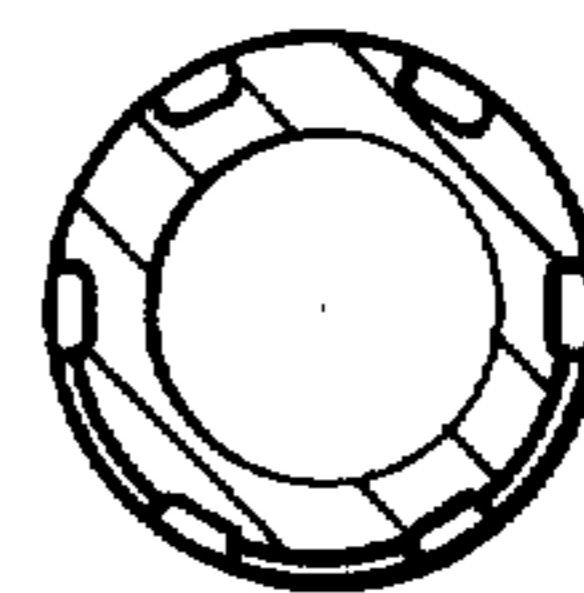
**FIG\_1**



**FIG\_2**



**FIG\_3**



**FIG\_4**