

[54] FISHING REEL

[75] Inventors: Masakazu Sakamoto; Takeshi Shohoji, both of Fukuyama, Japan

[73] Assignee: Ryobi, Ltd., Fuchu, Japan

[\*\*] Term: 14 Years

[21] Appl. No.: 100,151

[22] Filed: Dec. 4, 1979

[30] Foreign Application Priority Data  
Jul. 24, 1979 [JP] Japan ..... 54-31206

[51] Int. Cl. .... D22-05  
[52] U.S. Cl. .... D22/25  
[58] Field of Search ..... D22/25, 23, 26;  
262/84.1 R; 43/18 R

[56]

References Cited

U.S. PATENT DOCUMENTS

- D. 216,193 12/1969 Bittaker, Jr. et al. .... D22/25
- D. 236,467 8/1975 Childre ..... D22/25
- D. 255,702 7/1980 Inuma ..... D22/25

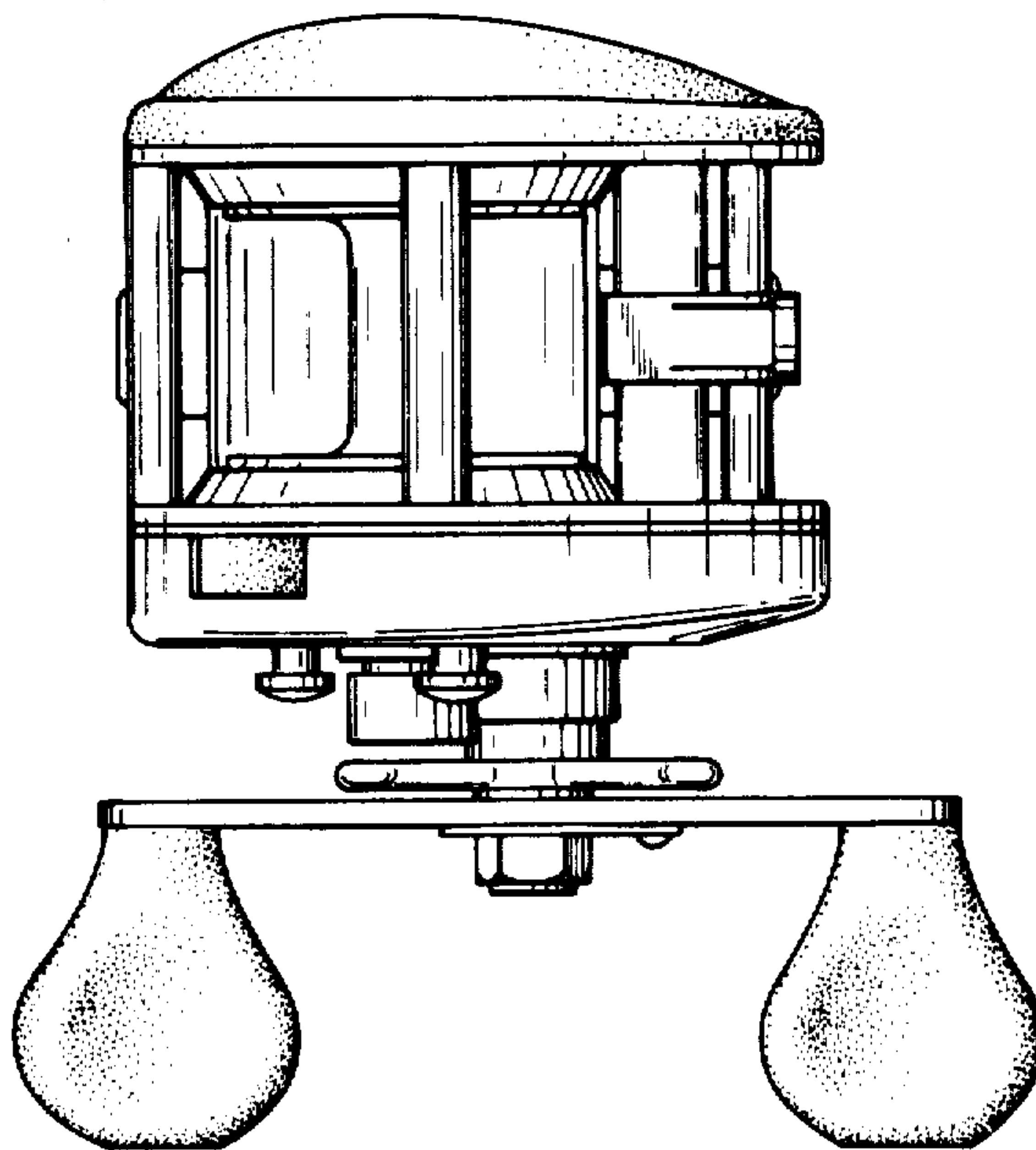
Primary Examiner—A. Hugo Word  
Attorney, Agent, or Firm—Sughrue, Mion, Zinn,  
Macpeak and Seas

[57] CLAIM

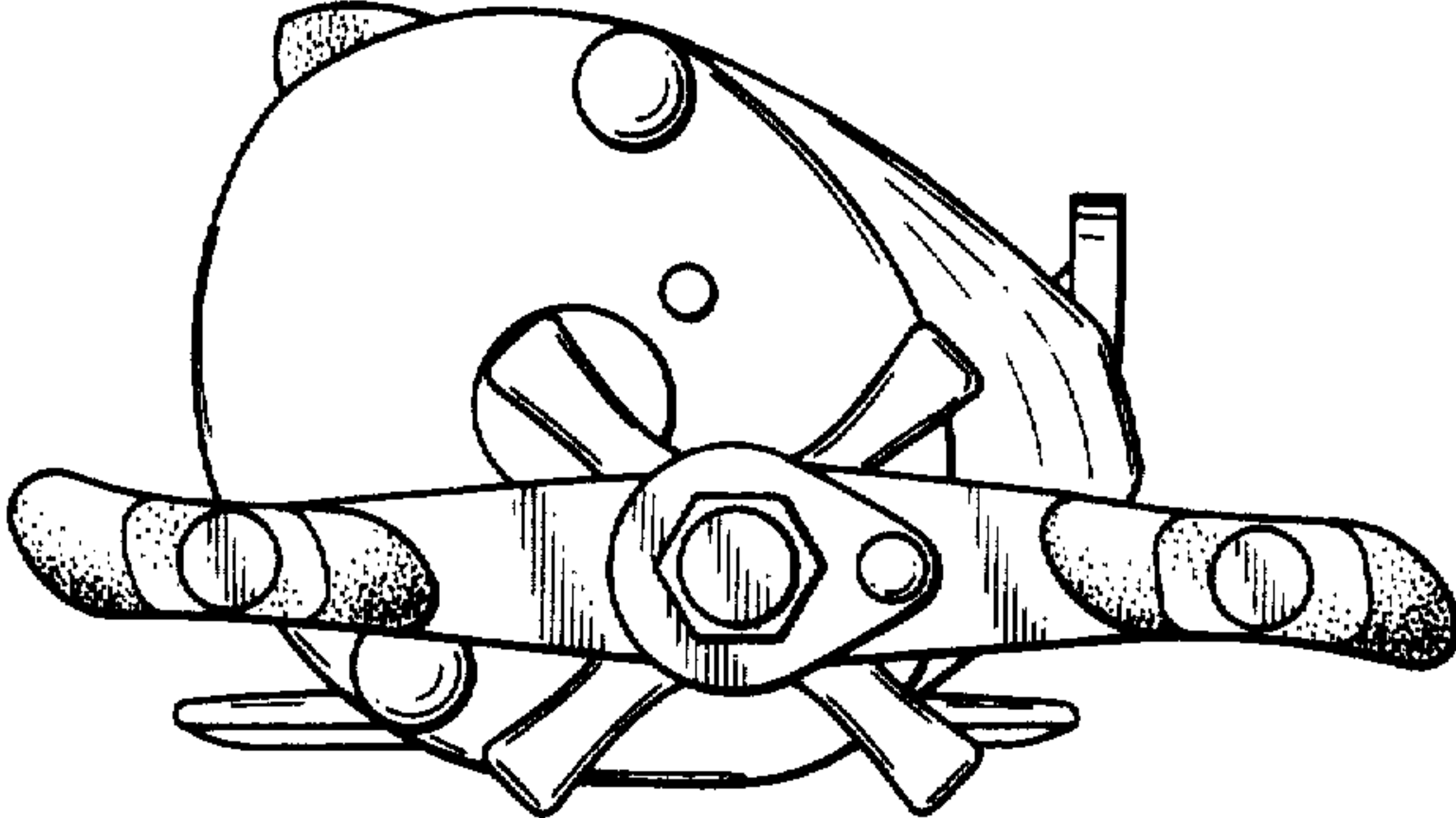
The ornamental design for a fishing reel, as shown.

DESCRIPTION

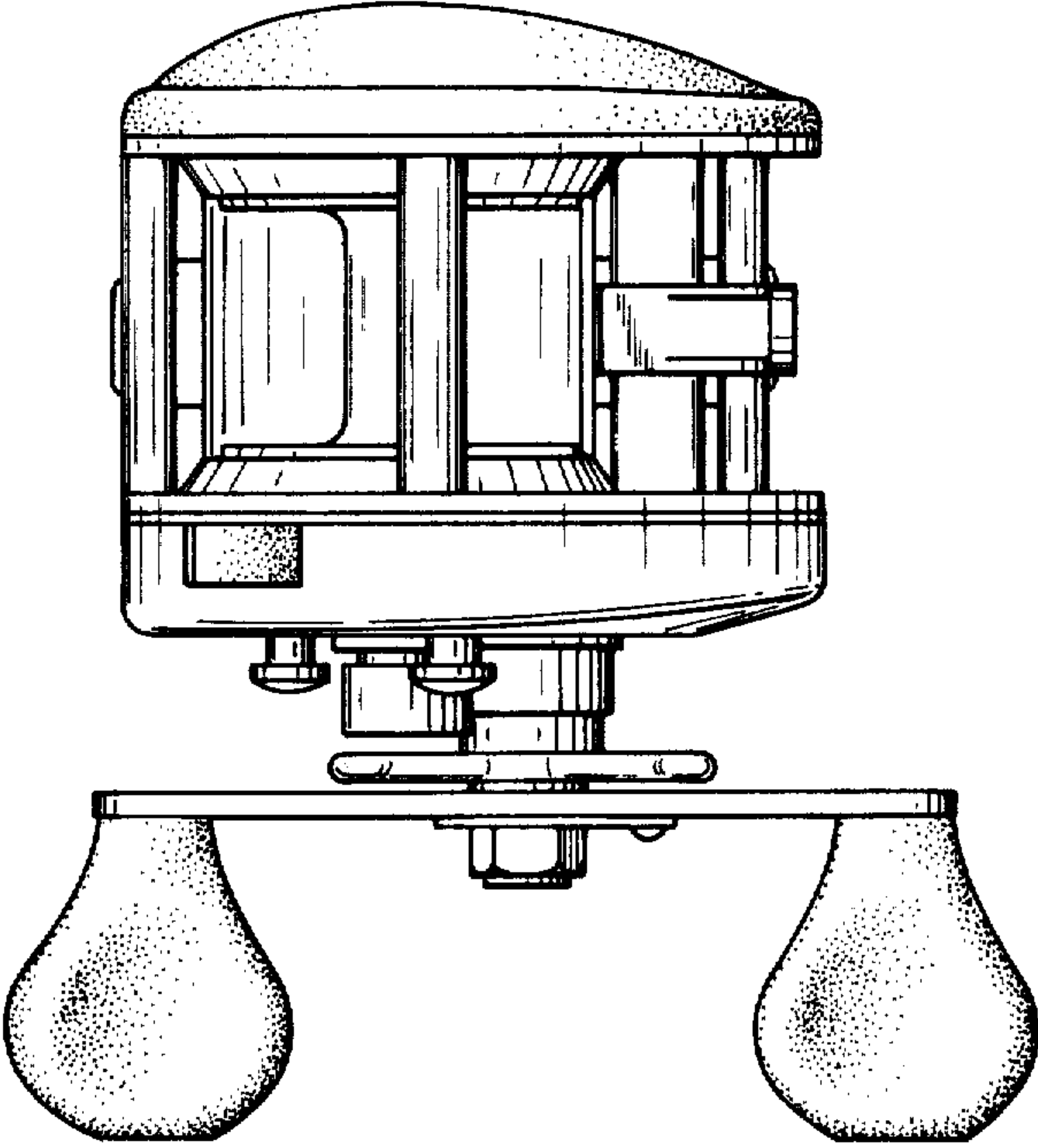
FIG. 1 is a left side elevational view of a fishing reel showing our new design;  
FIG. 2 is a top plan view thereof;  
FIG. 3 is a right side elevational view thereof;  
FIG. 4 is a bottom plan view thereof;  
FIG. 5 is a front elevational view thereof; and  
FIG. 6 is a rear elevational view thereof.



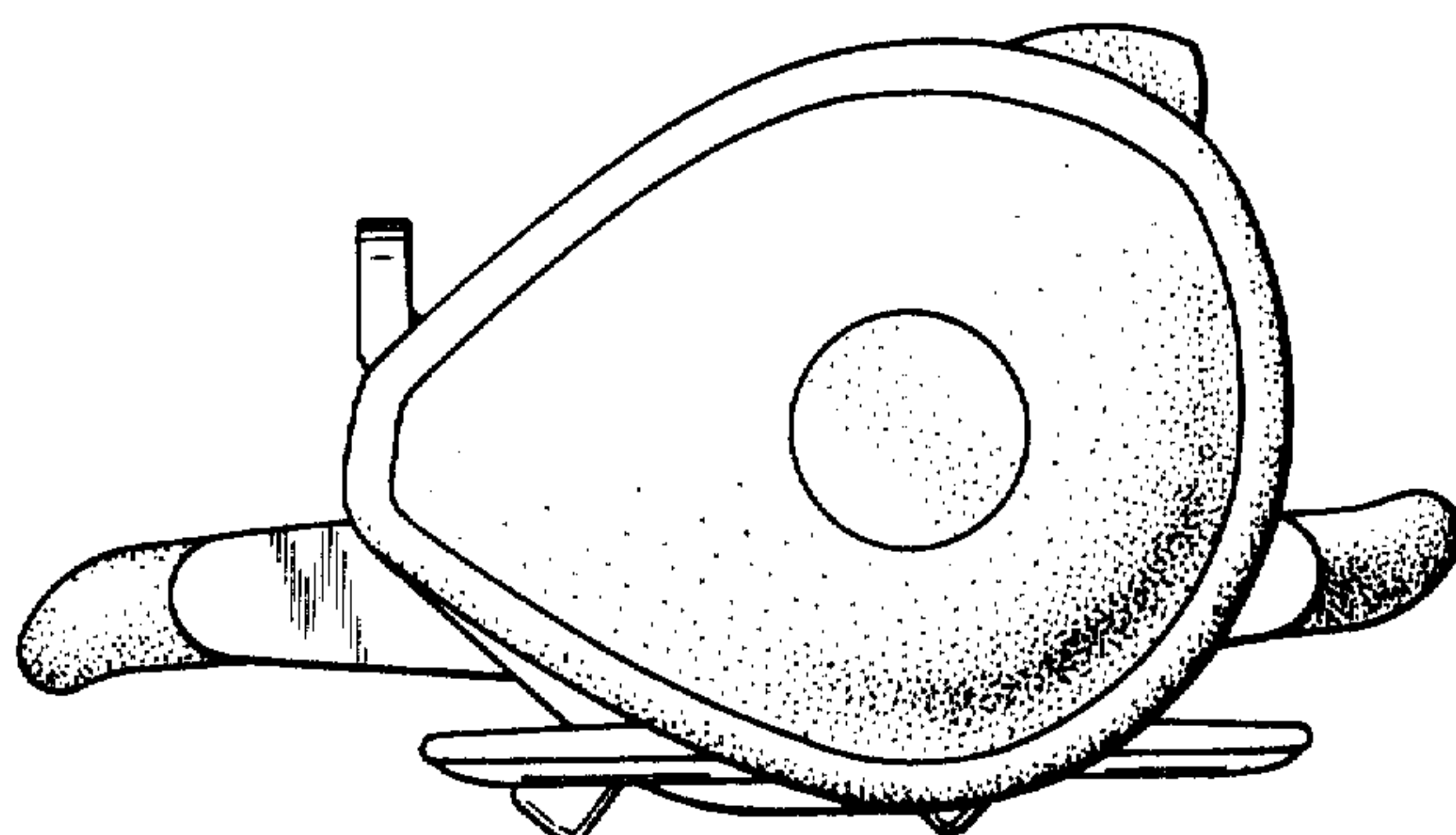
*FIG. 1*



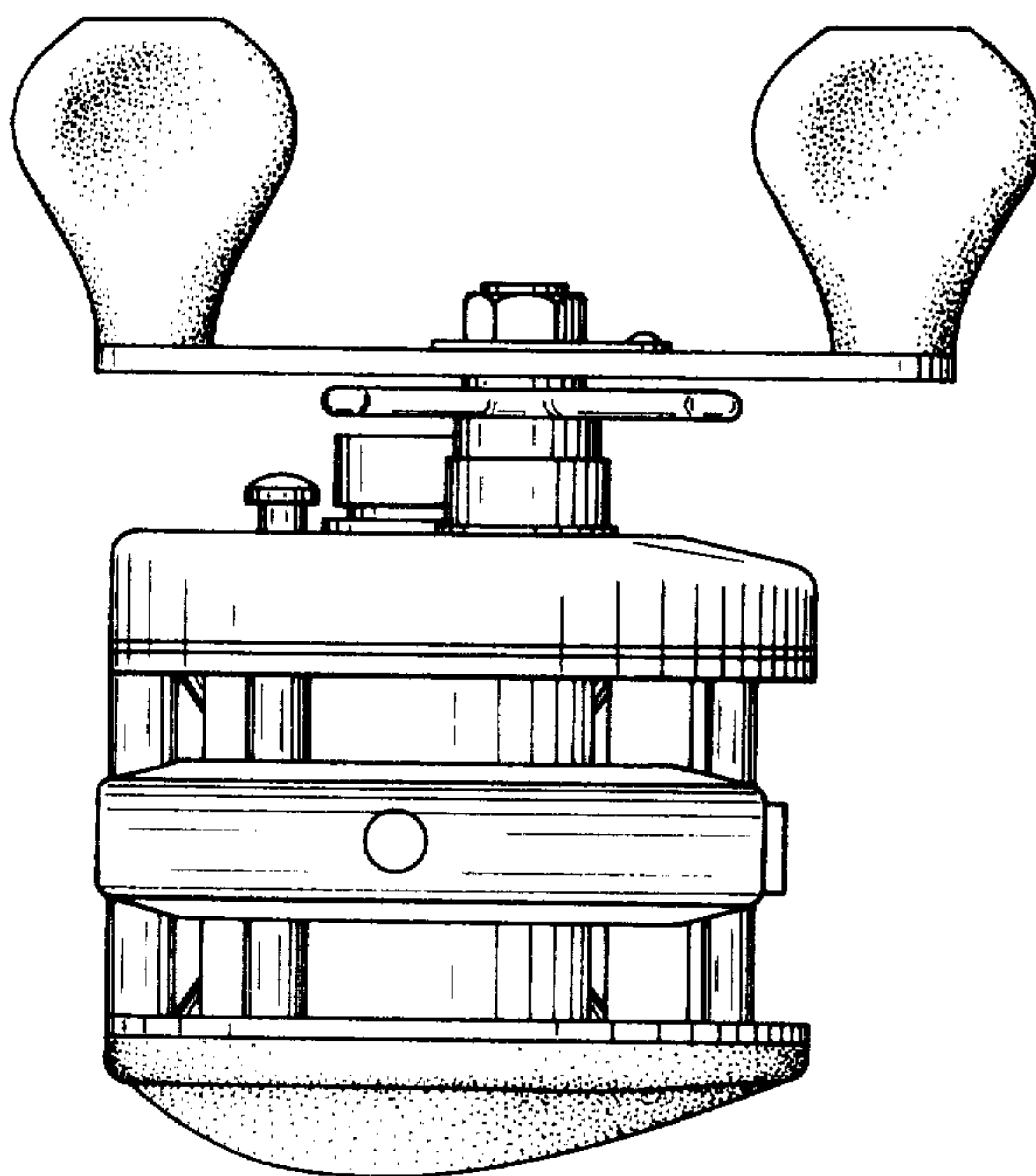
*FIG. 2*



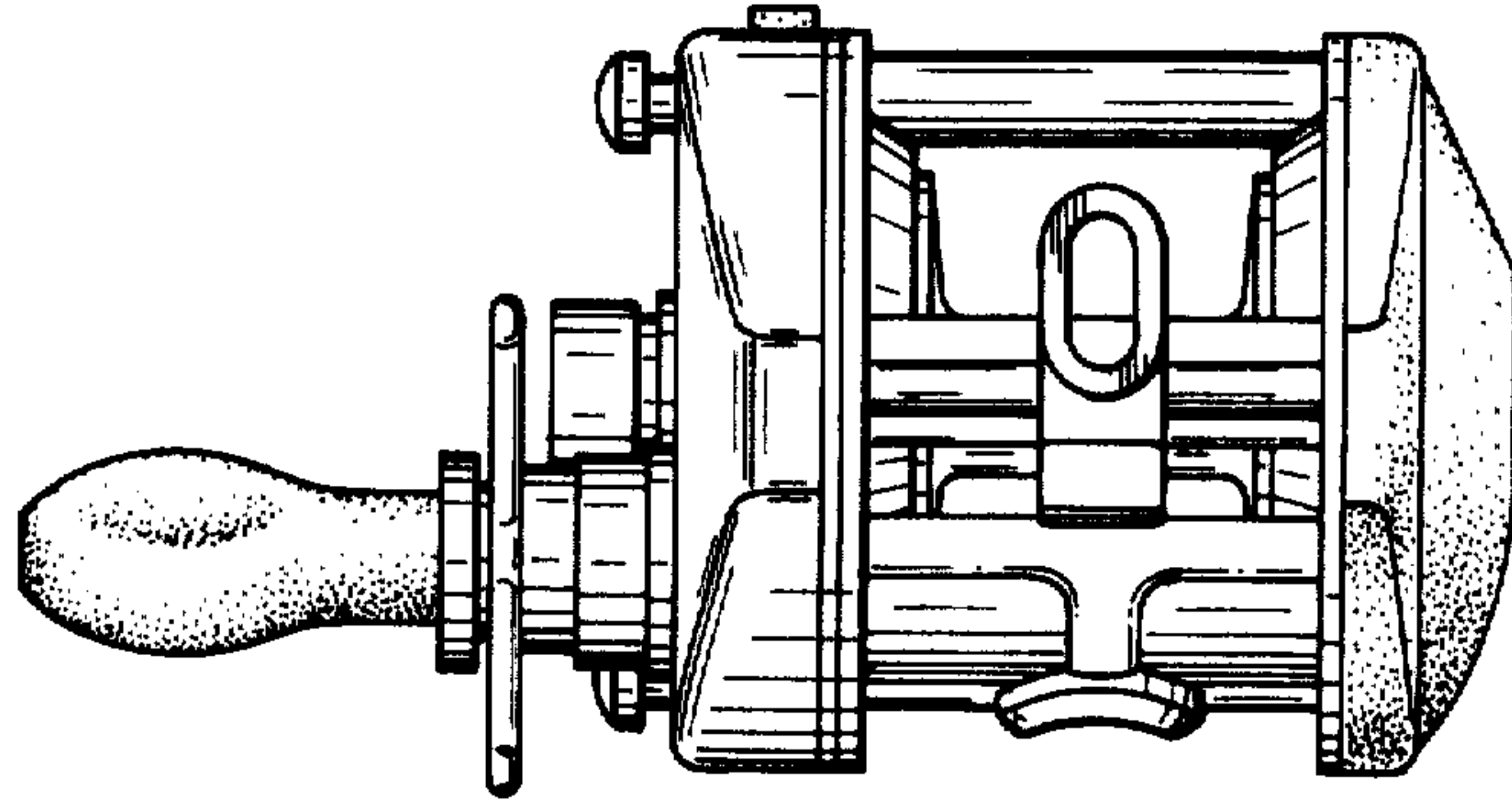
**FIG. 3**



**FIG. 4**



*FIG. 5*



*FIG. 6*

