

[54] ARM WRESTLING DEVICE

[76] Inventors: Sterling A. Clink, 1930 Maxwell Ave.; Jack E. Barringer, 1313 Ontario Cir., both of Ames, Iowa 50010

[\*\*] Term: 14 Years

[21] Appl. No.: 940,578

[22] Filed: Sep. 8, 1978

[51] Int. Cl. .... D21-02

[52] U.S. Cl. .... D21/195; D21/198; D10/83; D21/240

[58] Field of Search ..... D21/198, 195, 191, 59, D21/1, 240; 46/1 R; D10/83

[56] References Cited

U.S. PATENT DOCUMENTS

D. 256,822 9/1980 Ozzimo ..... D21/195

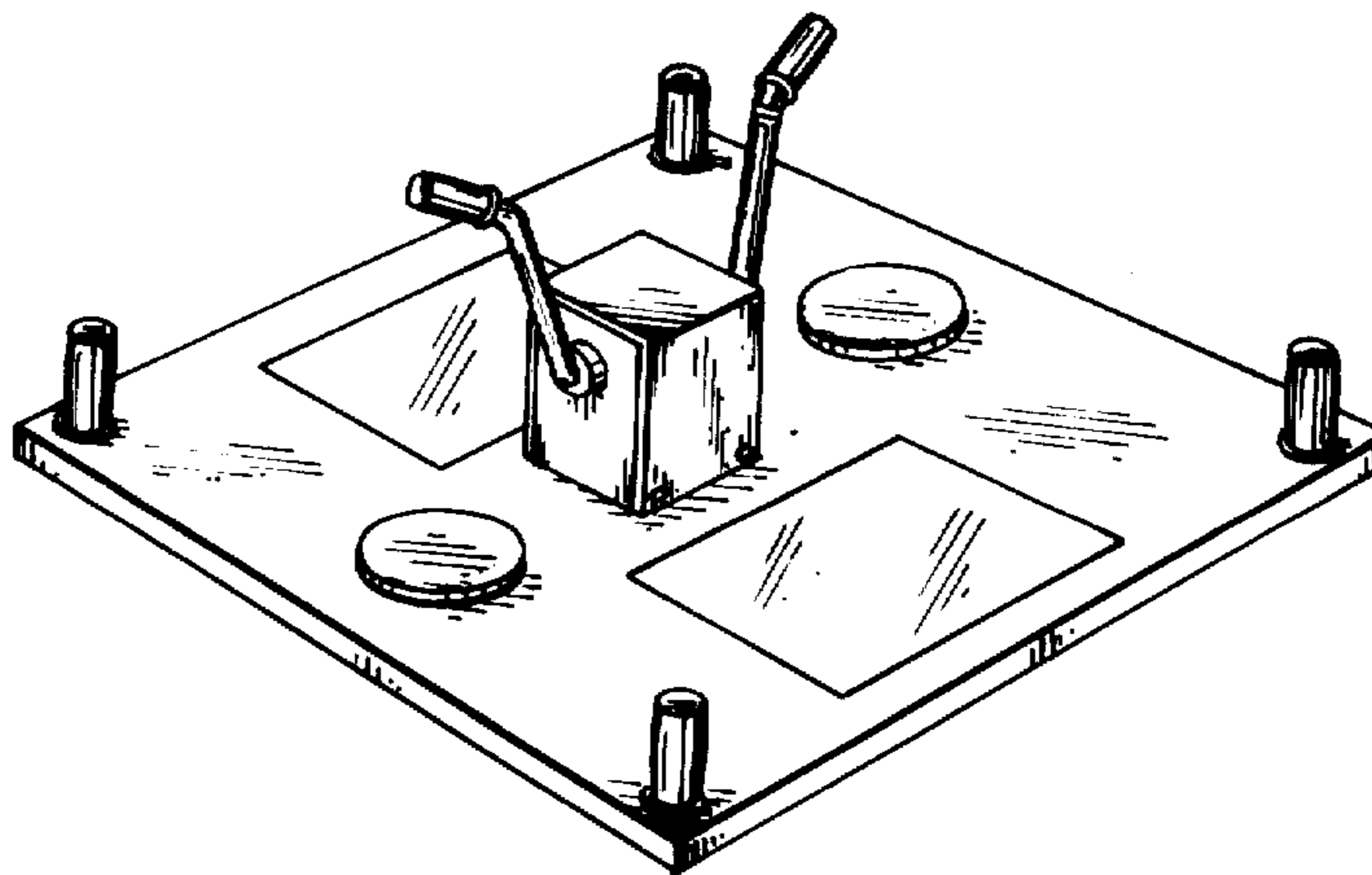
Primary Examiner—Donald B. Moyer  
Attorney, Agent, or Firm—Zarley, McKee, Thomte, Voorhees & Sease

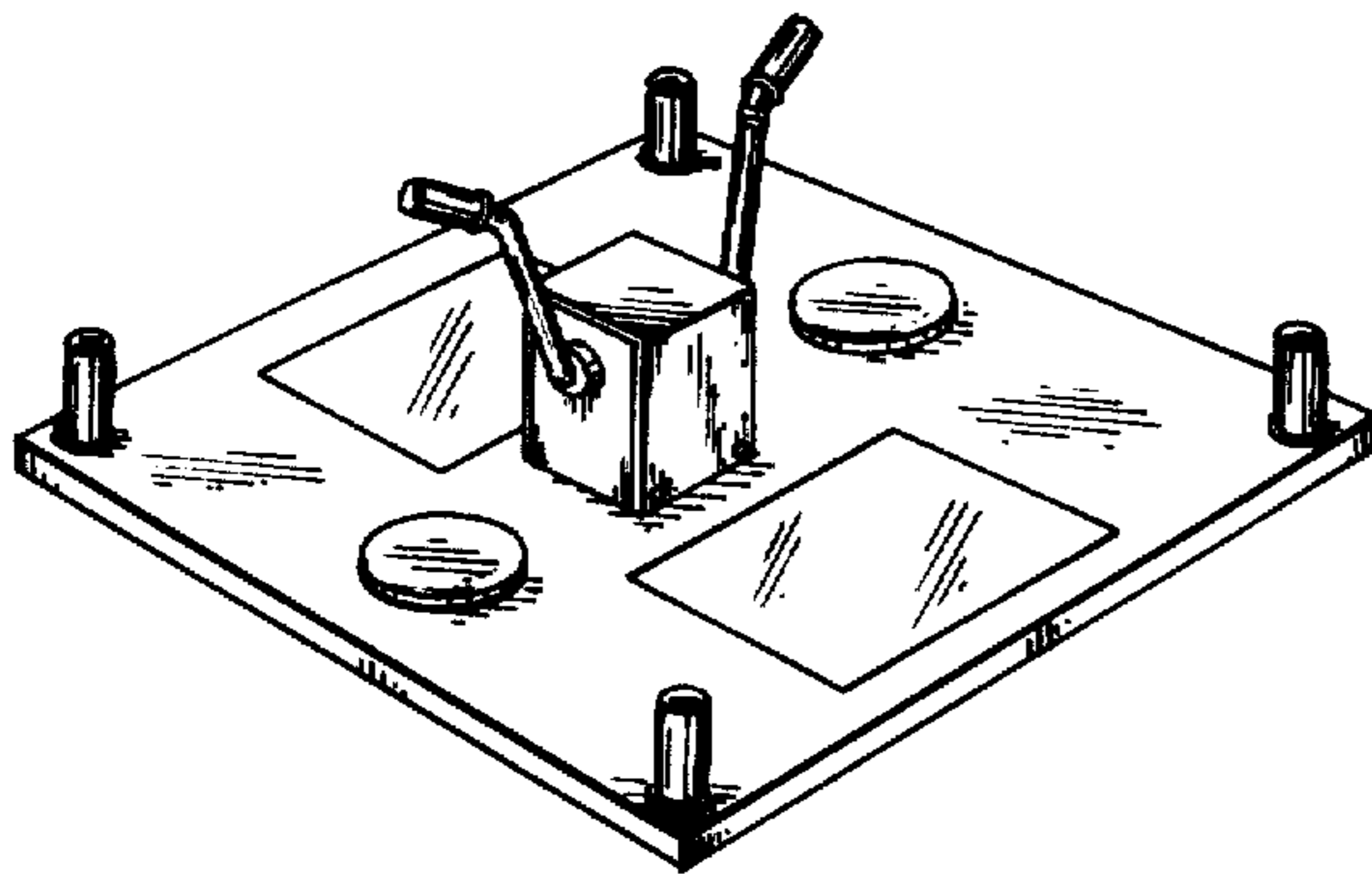
[57] CLAIM

The ornamental design for an arm wrestling device, substantially as shown and described.

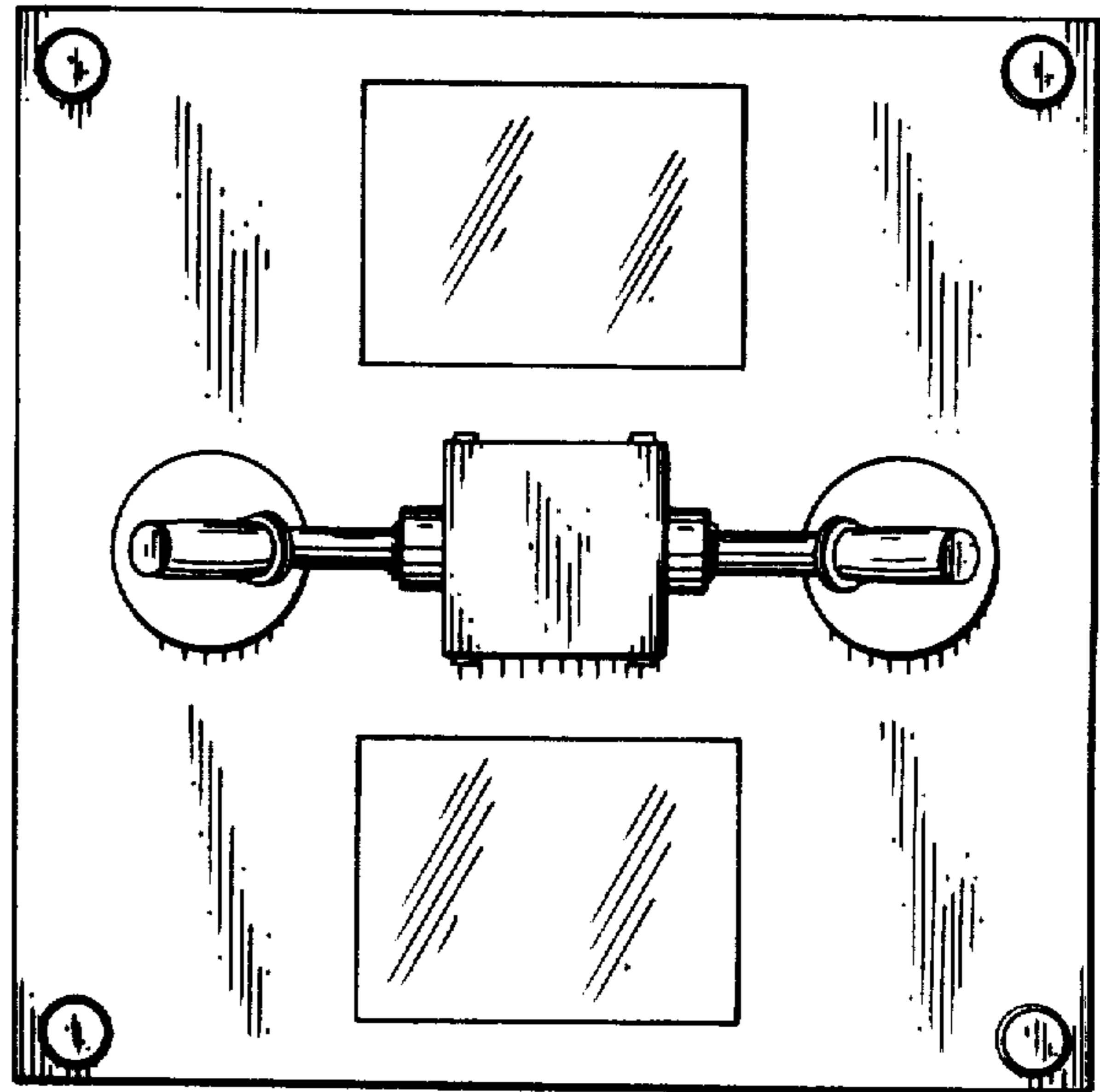
DESCRIPTION

FIG. 1 is a perspective view of an arm wrestling device showing our new design;  
FIG. 2 is a plan view thereof shown at an enlarged scale;  
FIG. 3 is a side elevational view as seen from the left-hand side of FIG. 2;  
FIG. 4 is a side elevational view as seen from the bottom of FIG. 2;  
FIG. 5 is a perspective view of a modified form of an arm wrestling device showing our new design;  
FIG. 6 is an enlarged scale plan view thereof;  
FIG. 7 is an elevational view thereof as seen from the lower left-hand corner of FIG. 6;  
FIG. 8 is an elevational view thereof as seen from the lower right-hand corner of FIG. 6;  
FIG. 9 is an elevational view thereof as seen from the top of FIG. 6; and  
FIG. 10 is an elevational view as seen from the bottom of FIG. 6.

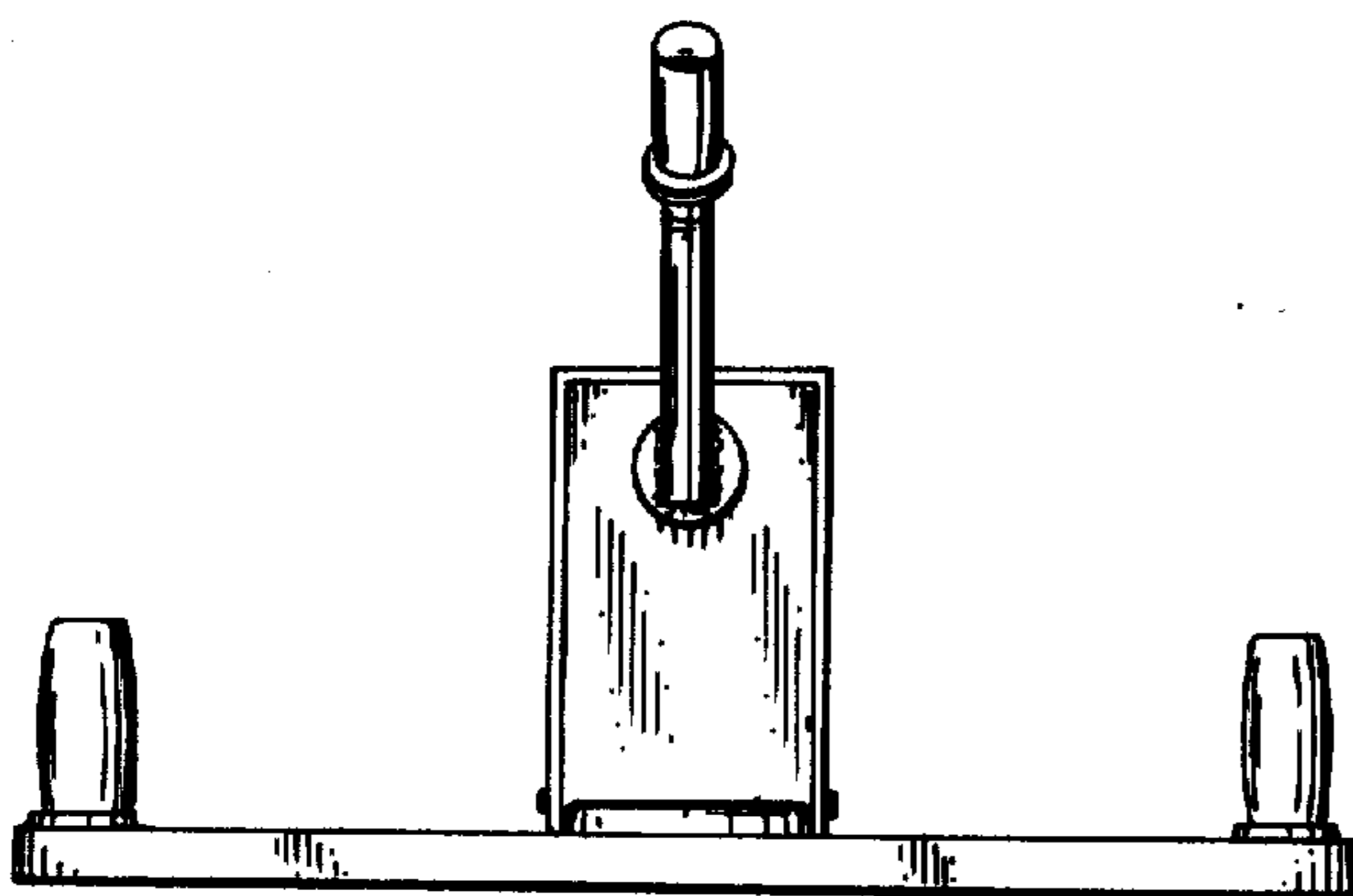




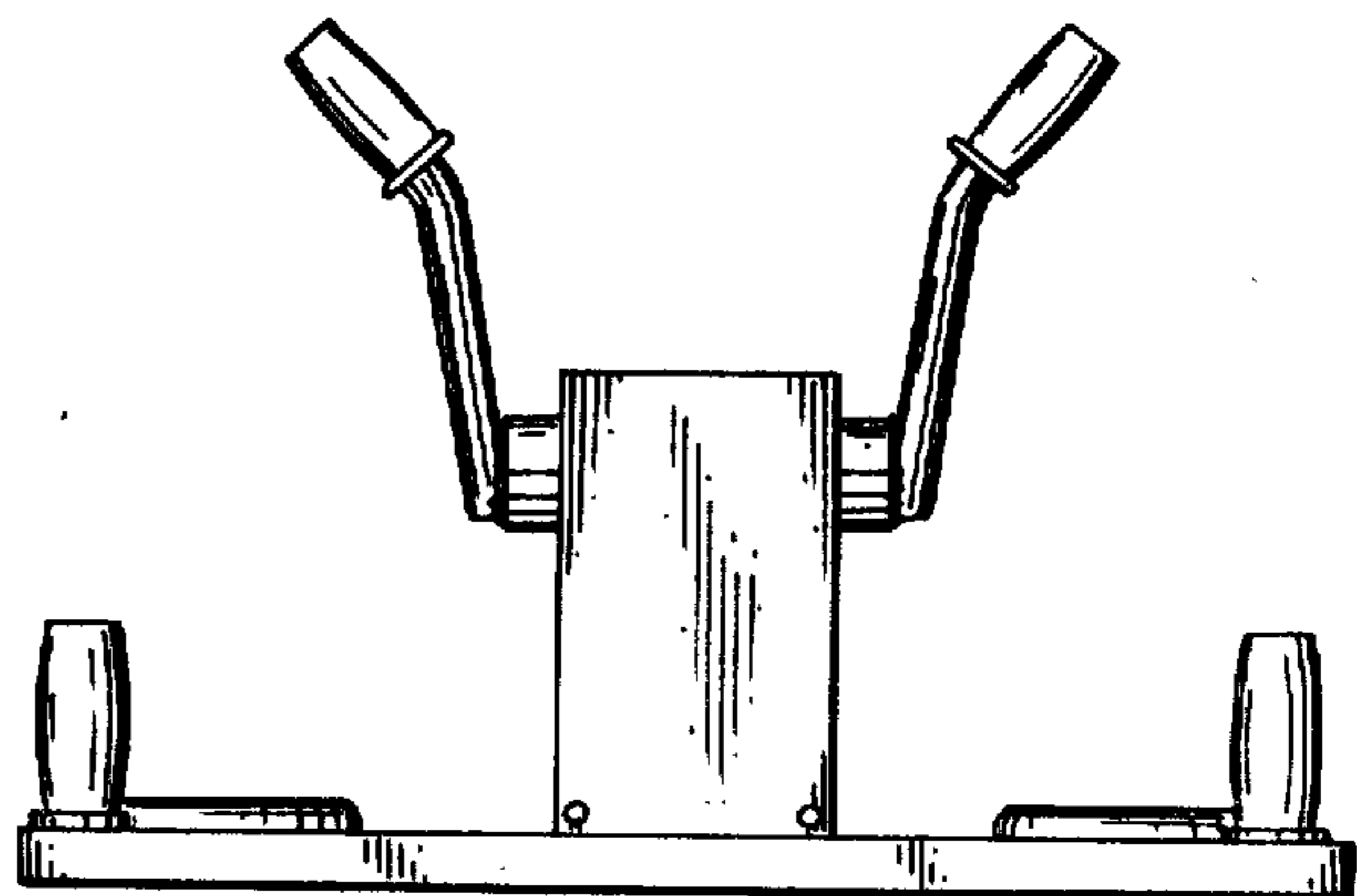
*Fig. 1*



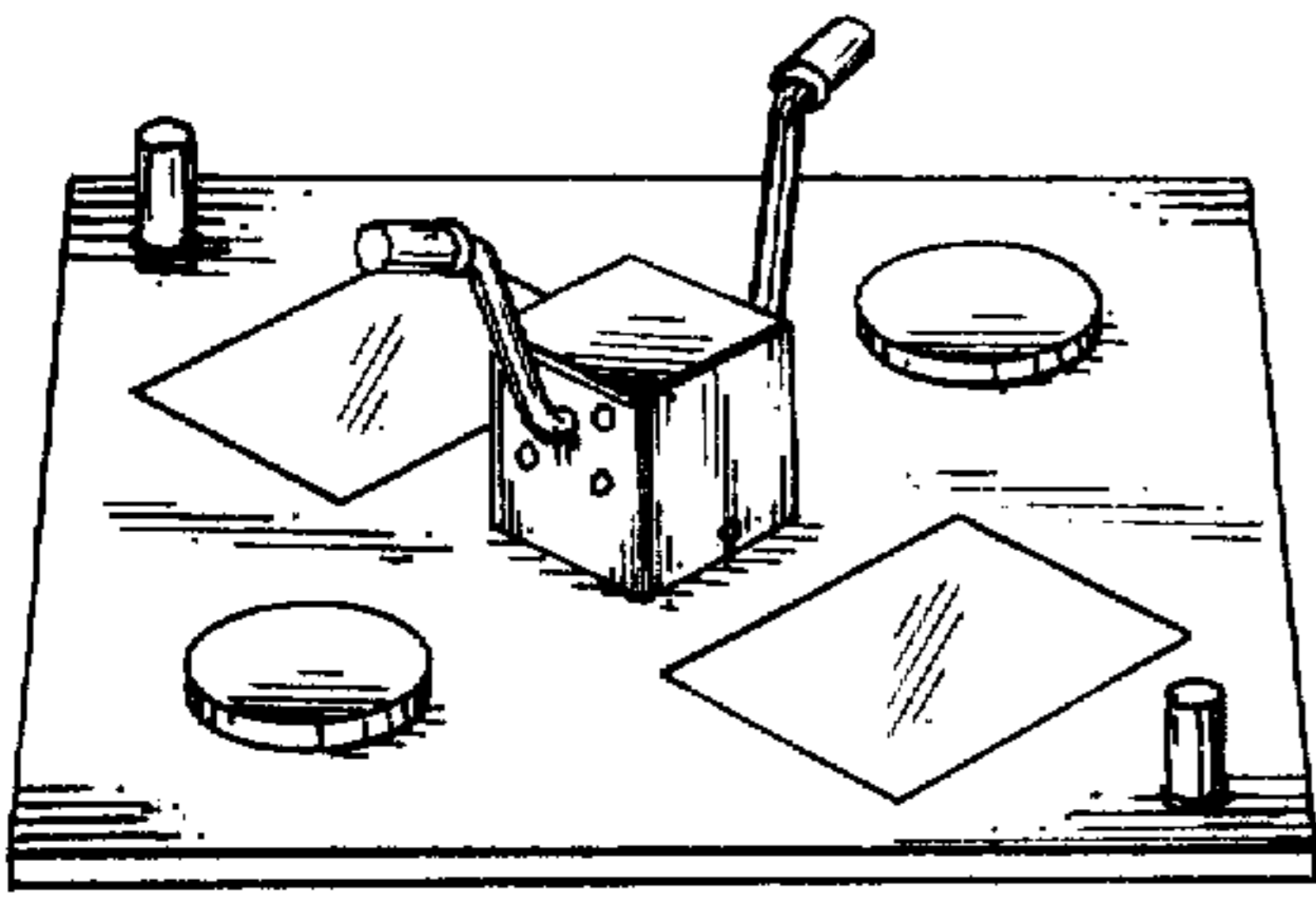
*Fig. 2*



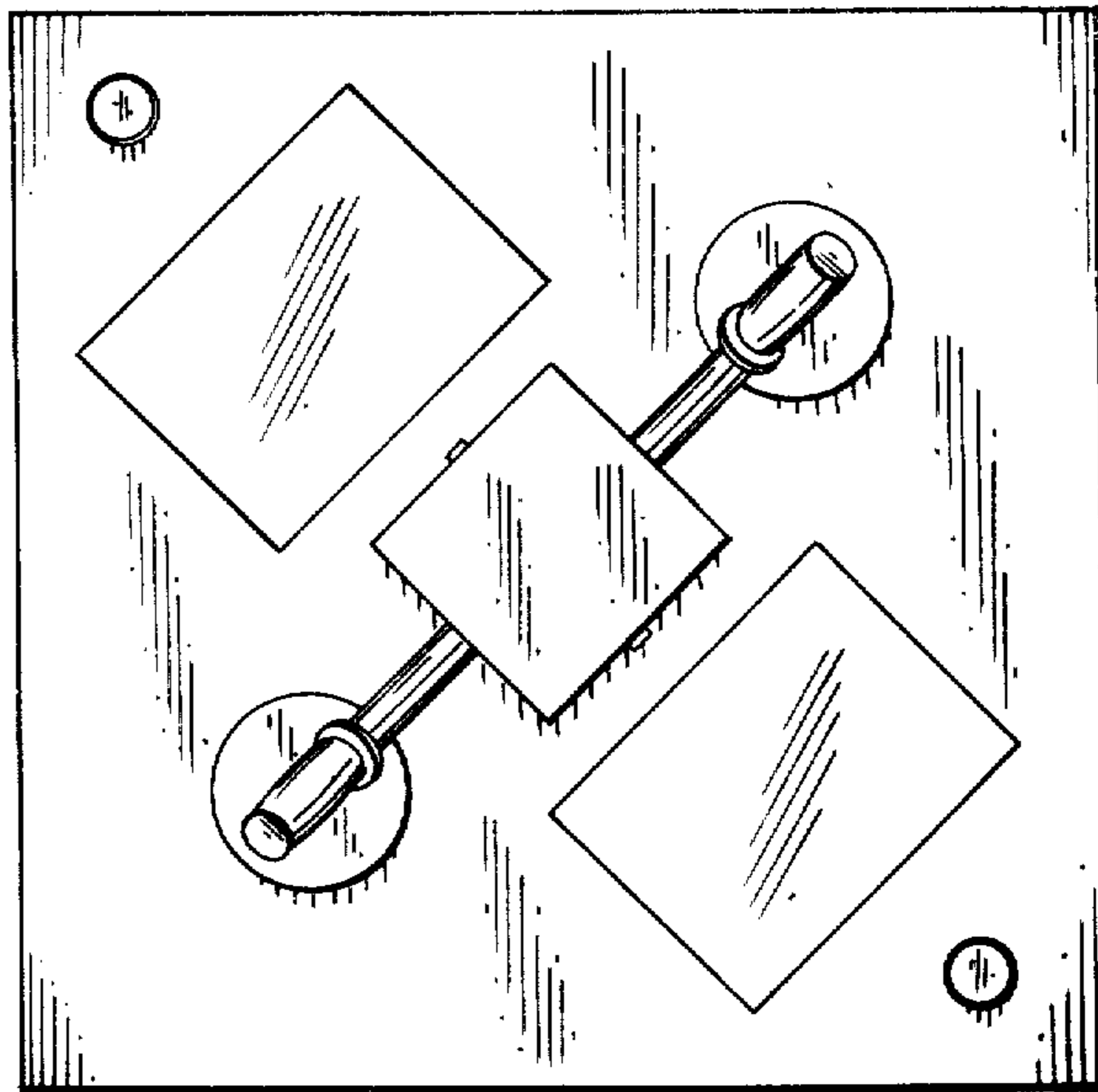
*Fig. 3*



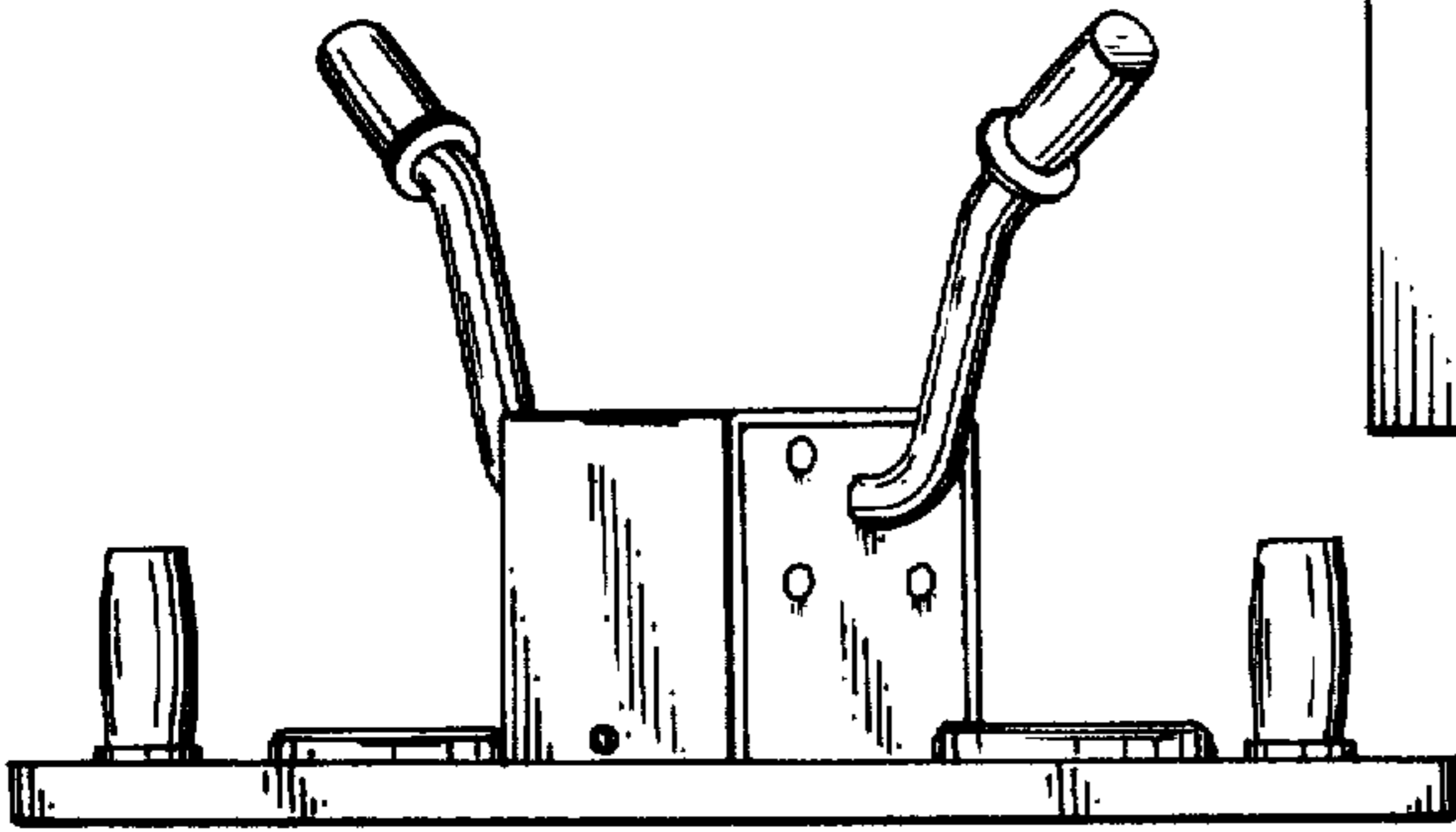
*Fig. 4*



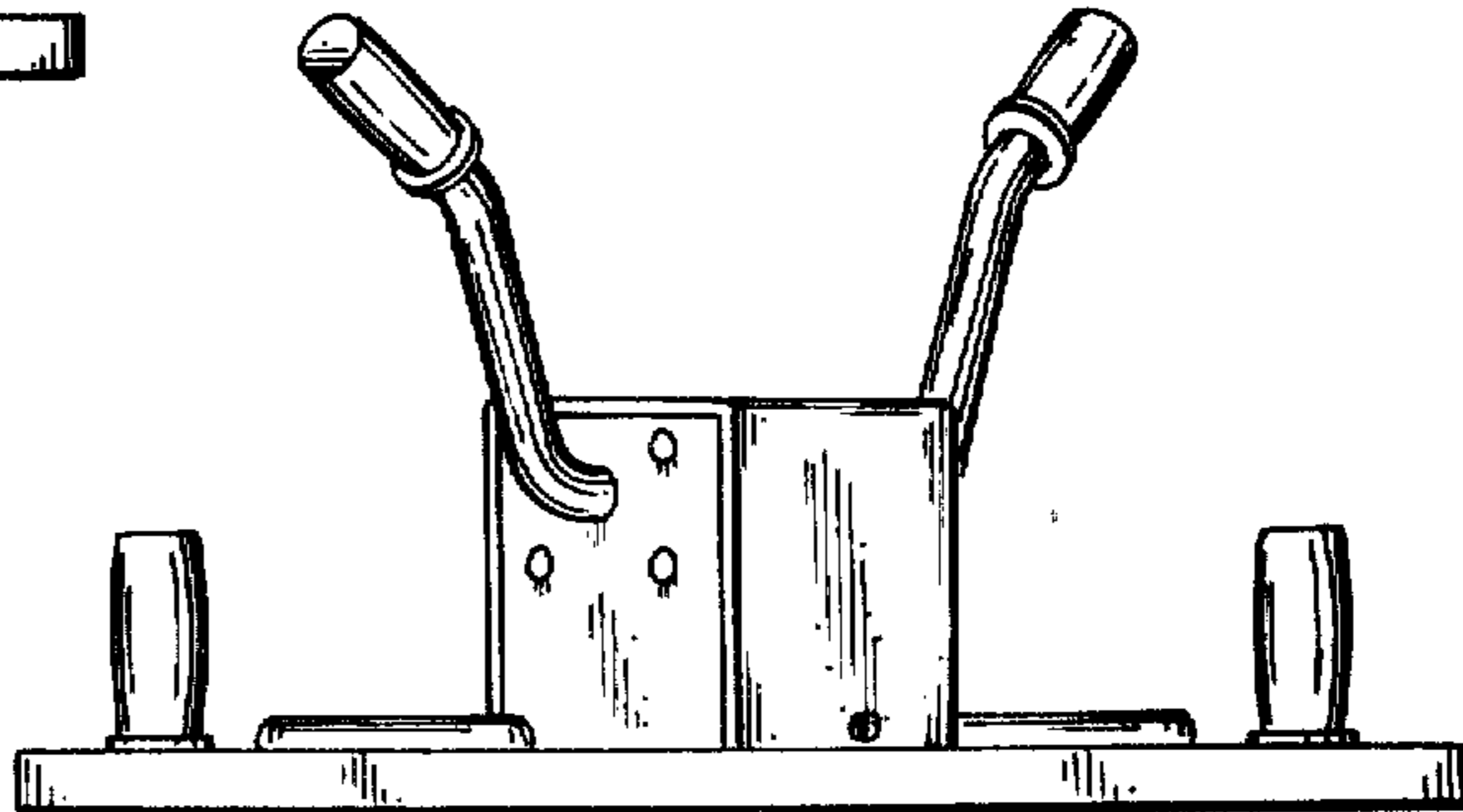
*Fig. 5*



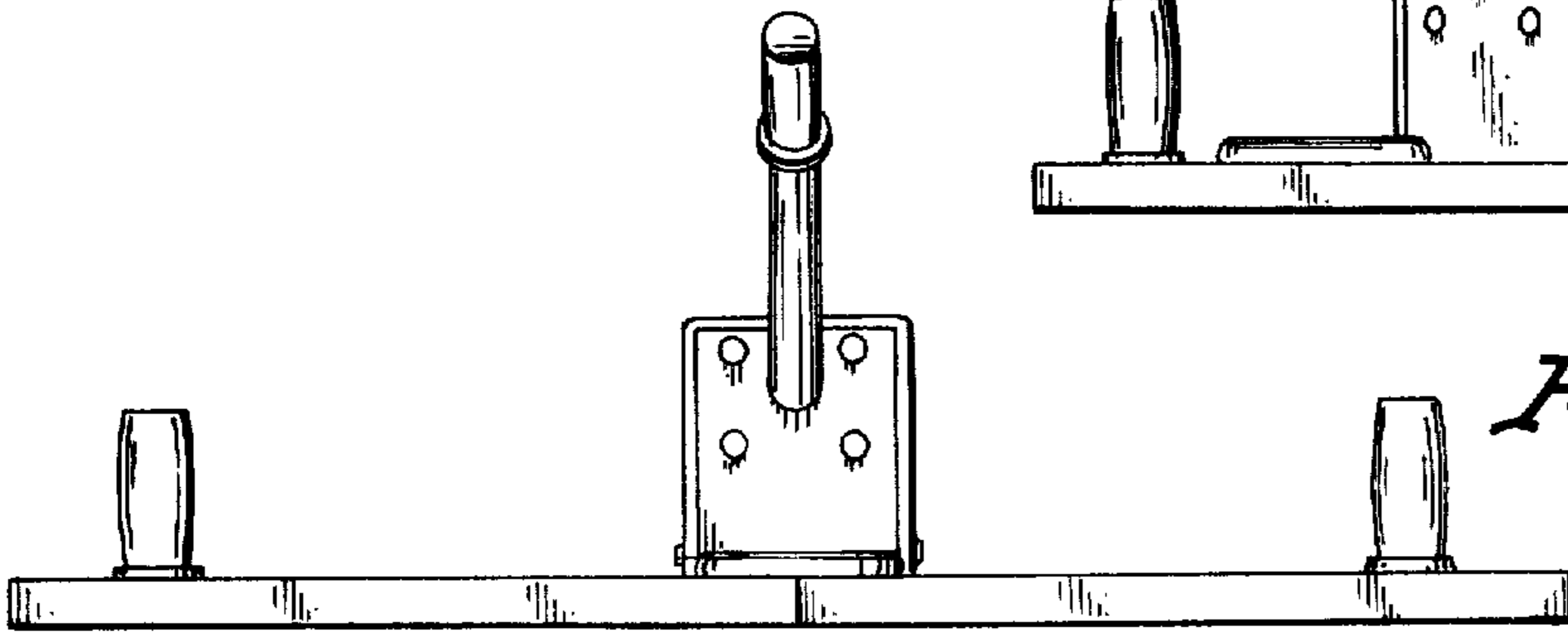
*Fig. 6*



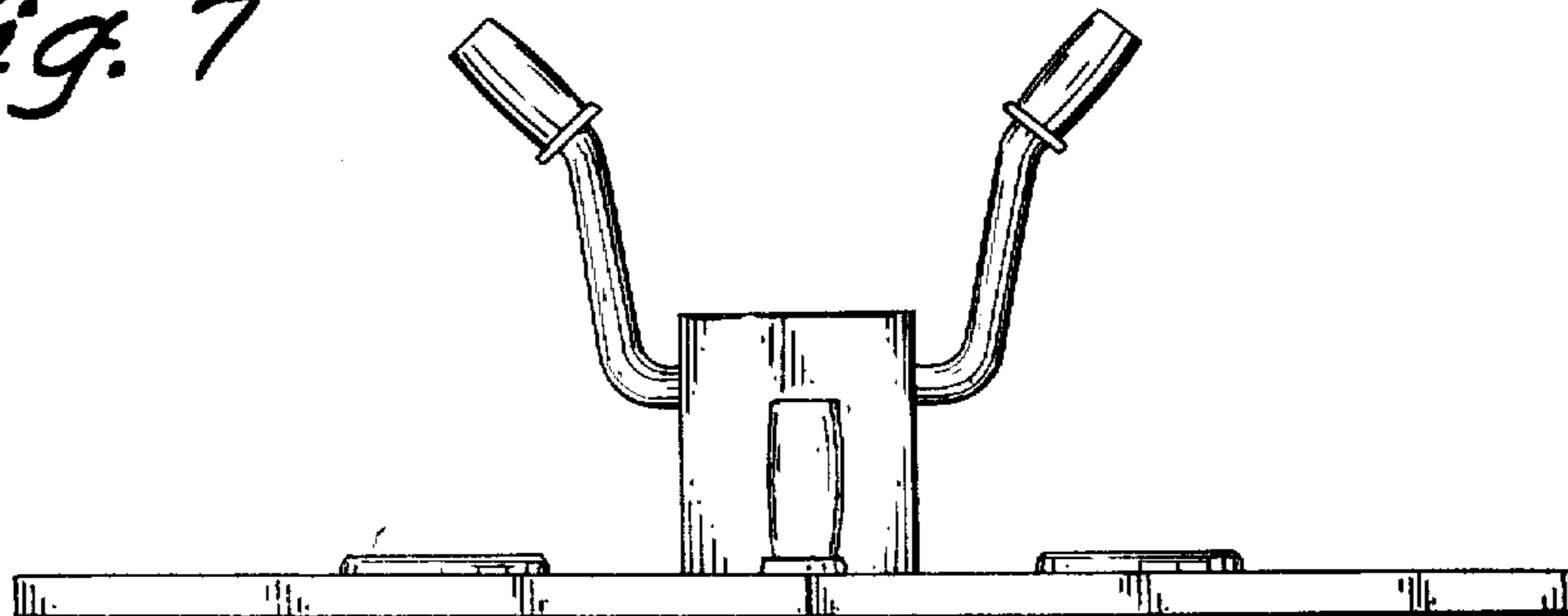
*Fig. 9*



*Fig. 10*



*Fig. 7*



*Fig. 8*