

[54] **TOY GLIDER**

[75] Inventor: **Steven E. Hilko**, East Aurora, N.Y.

[73] Assignee: **The Quaker Oats Company**, Chicago, Ill.

[**] Term: **14 Years**

[21] Appl. No.: **101,803**

[22] Filed: **Dec. 10, 1979**

[51] Int. Cl. **D21-01**

[52] U.S. Cl. **D21/89**

[58] Field of Search **D21/82, 86, 87, 88, 244/153 R, 153 A, 154**

[56] **References Cited**

U.S. PATENT DOCUMENTS

D. 59,419 10/1921 Haworth D21/89
D. 170,025 7/1953 Myser D21/90

1,864,197 6/1932 Johnson 244/154

FOREIGN PATENT DOCUMENTS

707996 7/1931 France 244/154

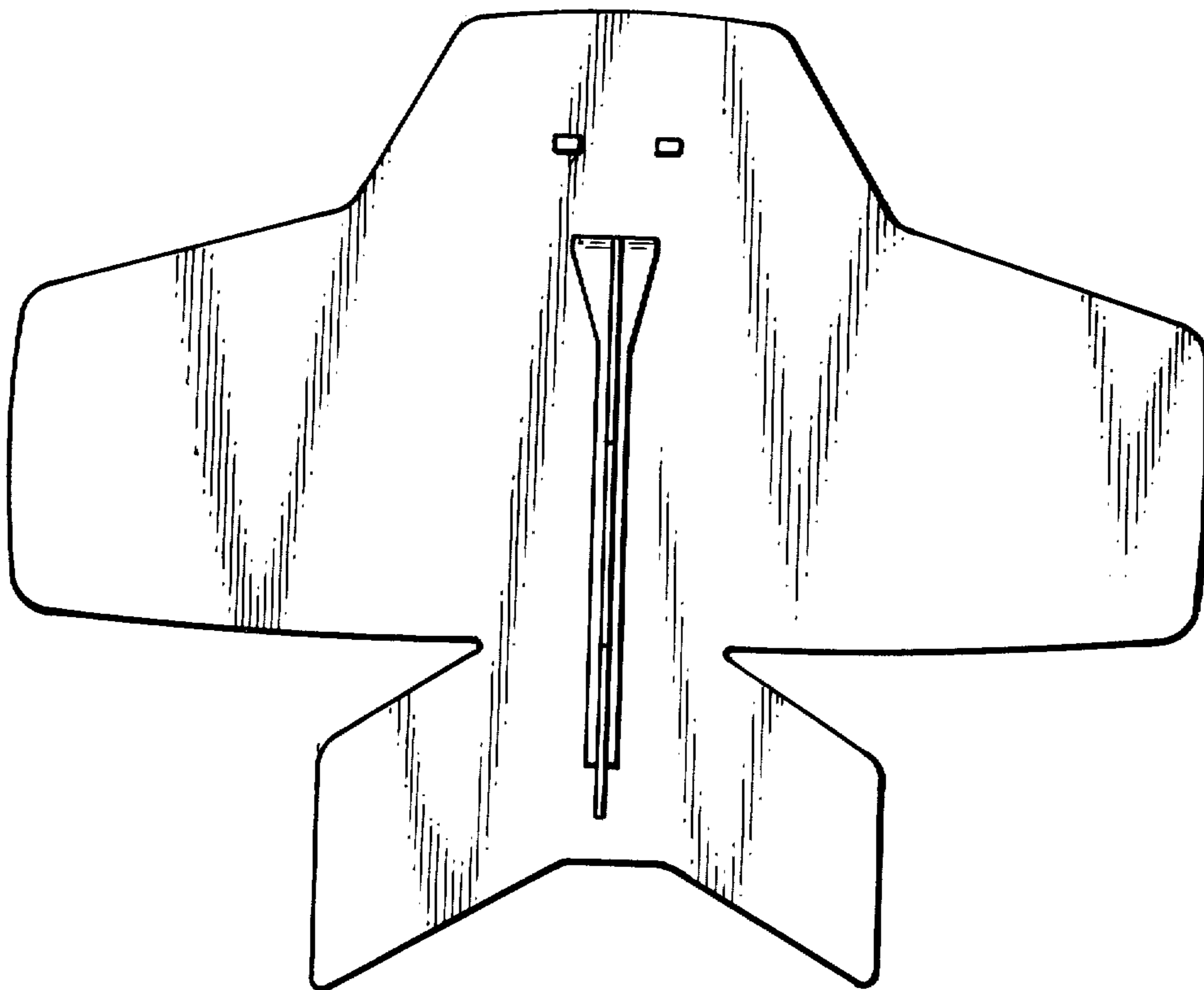
Primary Examiner—Charles A. Rademaker
Attorney, Agent, or Firm—Cumpston & Shaw

[57] **CLAIM**

The ornamental design for a toy glider, substantially as shown and described.

DESCRIPTION

FIG. 1 is a top plan view of a toy glider showing my new design;
FIG. 2 is a rear elevational view thereof in inverted position;
FIG. 3 is a bottom plan view thereof;
FIG. 4 is a right-side elevational view thereof, the left side being substantially a mirror image; and
FIG. 5 is a front elevational view thereof.



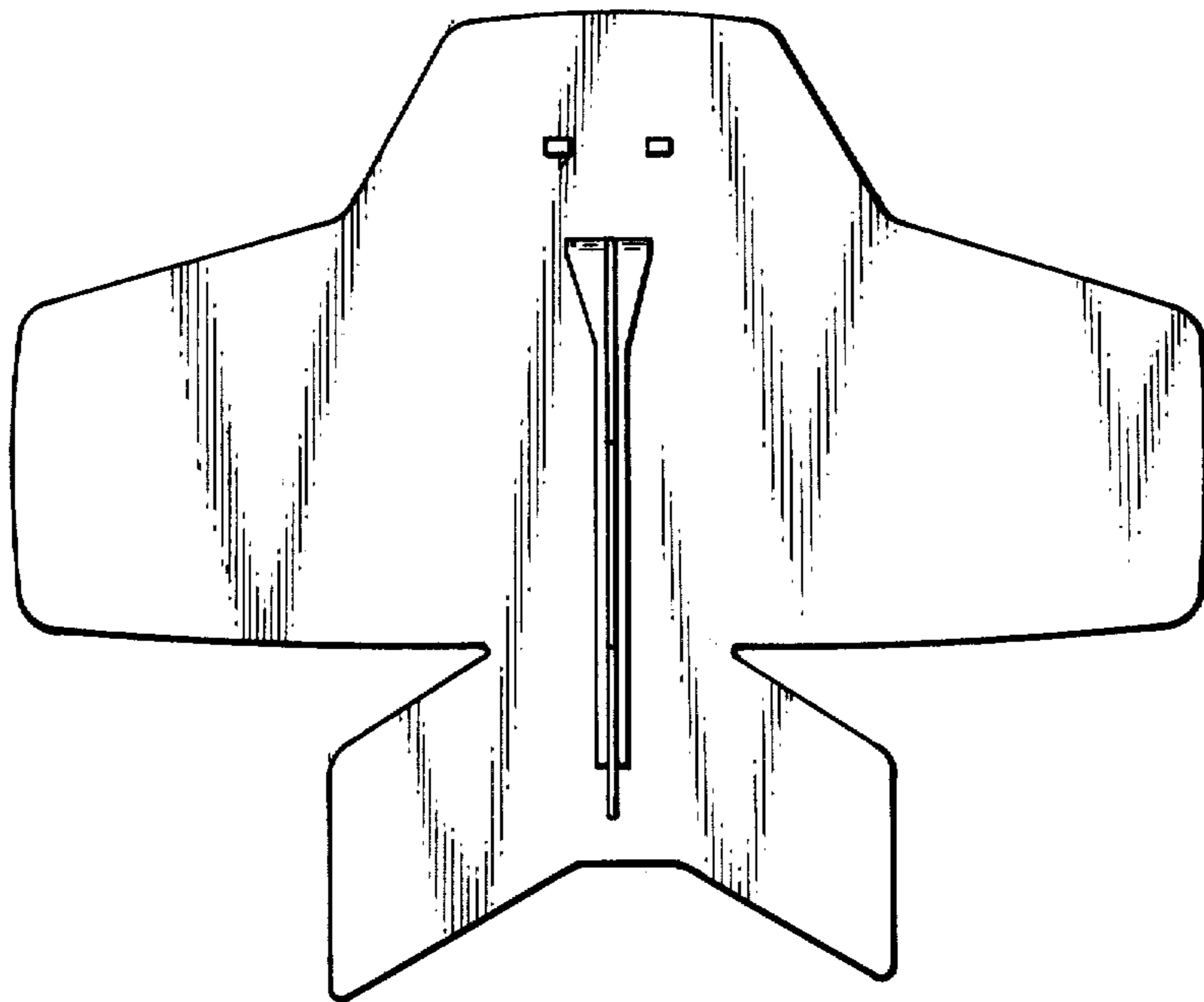


FIG. 1

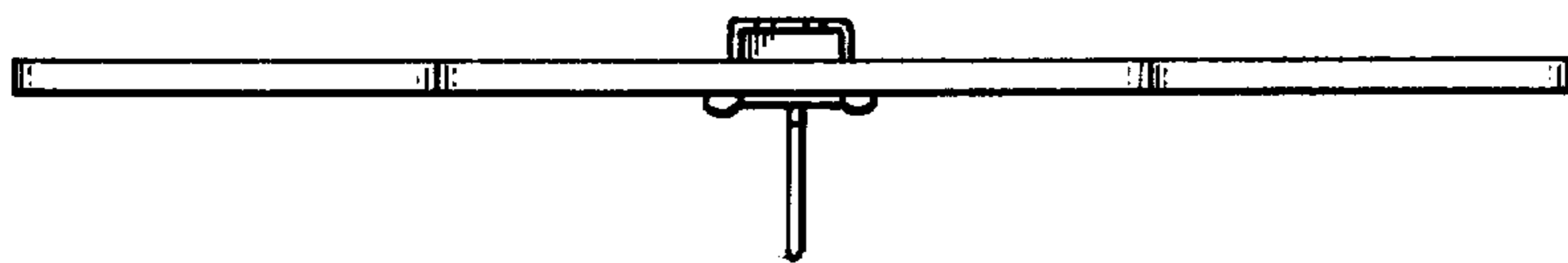


FIG. 2

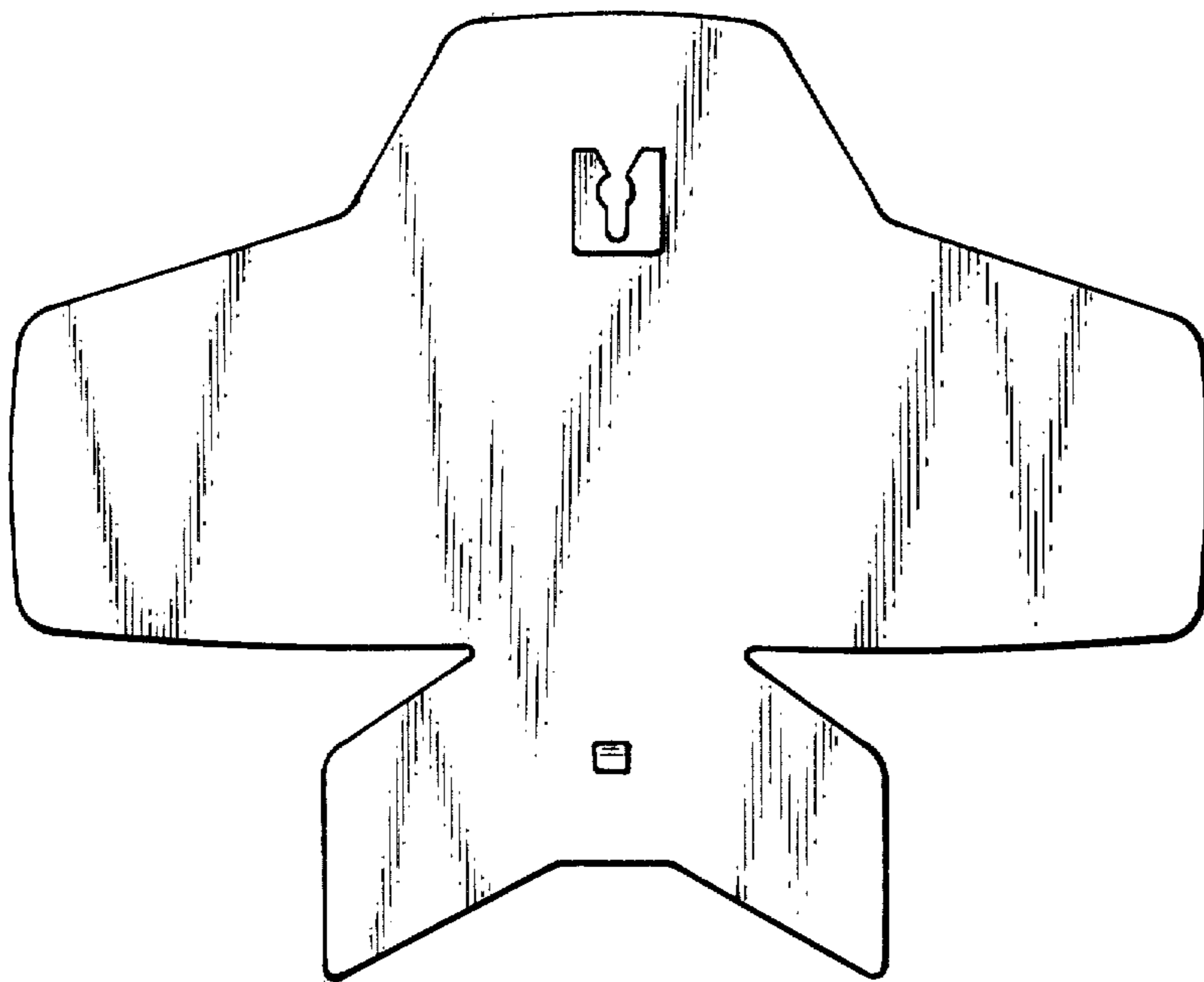


FIG. 3

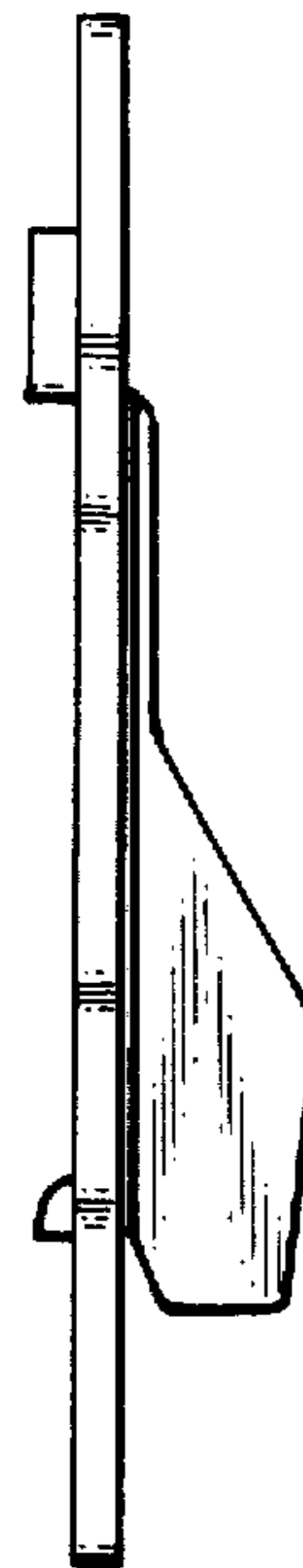


FIG. 4

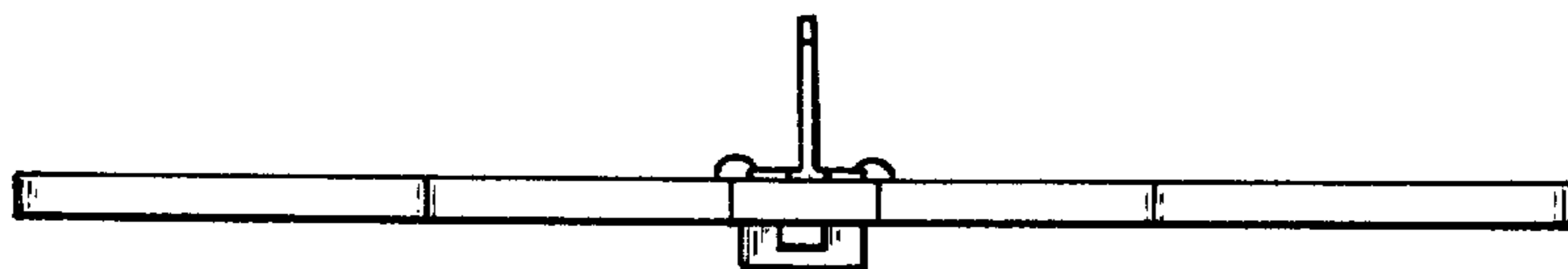


FIG. 5