

[54] TOY SPACE ROCKET

[75] Inventor: Steven E. Hilko, East Aurora, N.Y.

[73] Assignee: The Quaker Oats Company, Chicago, Ill.

[\*\*] Term: 14 Years

[21] Appl. No.: 114,280

[22] Filed: Jan. 22, 1980

[51] Int. Cl. .... D21-01

[52] U.S. Cl. .... D21/87

[58] Field of Search ..... D21/82, 87, 88, 89, D21/90; D12/72; 46/74 A, 74 B, 74 C; 244/153 R, 154

[56] References Cited

U.S. PATENT DOCUMENTS

D. 172,506 6/1954 Myser ..... D21/90

D. 199,601 11/1964 Rellis ..... D12/72  
D. 257,114 9/1980 Baird ..... D21/87  
D. 257,160 9/1980 Stears ..... D21/87

OTHER PUBLICATIONS

Playthings, 9-1978, p. 129, "UFO" at bottom left corner of page.

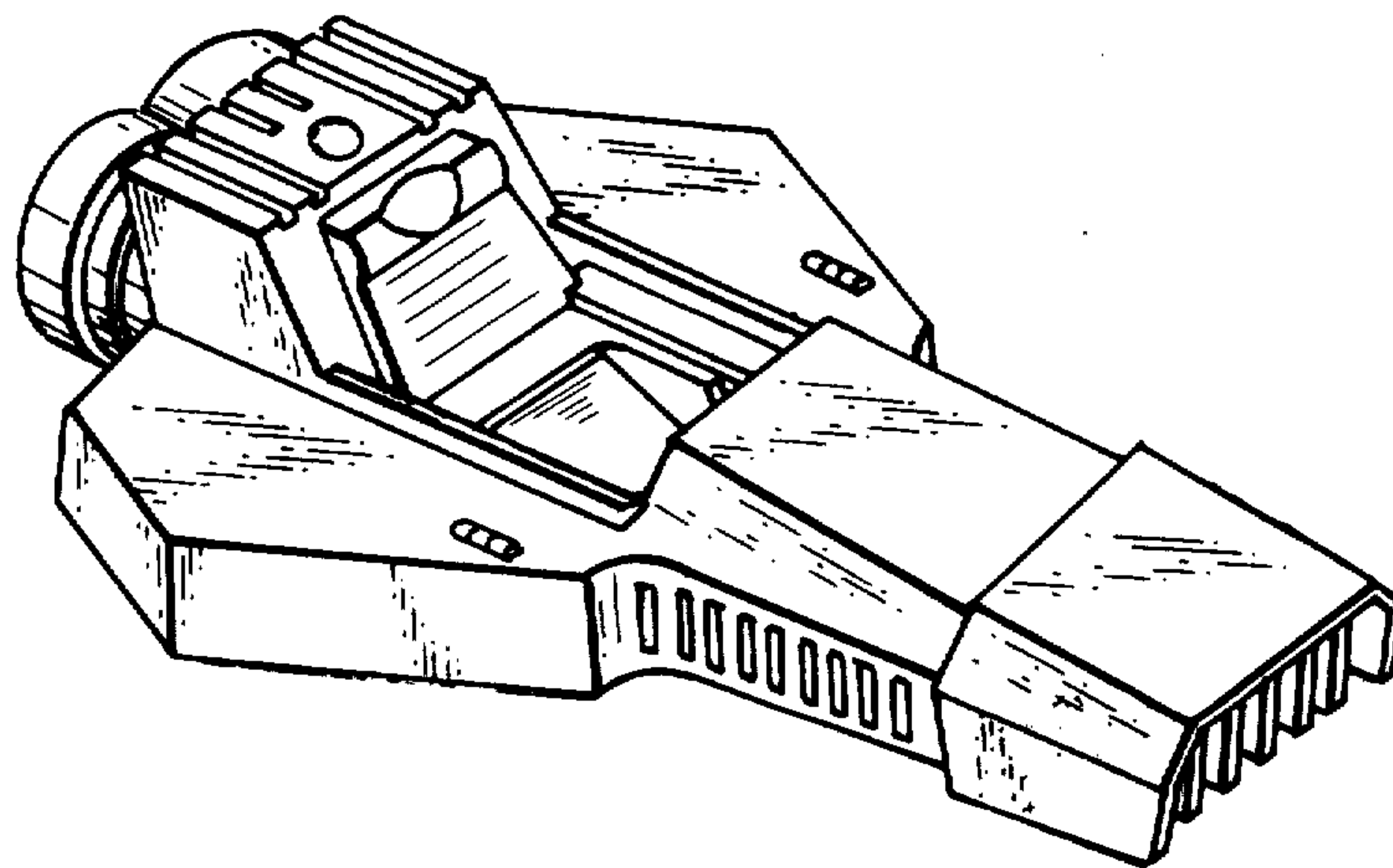
Primary Examiner—Charles A. Rademaker  
Attorney, Agent, or Firm—Cumpston & Shaw

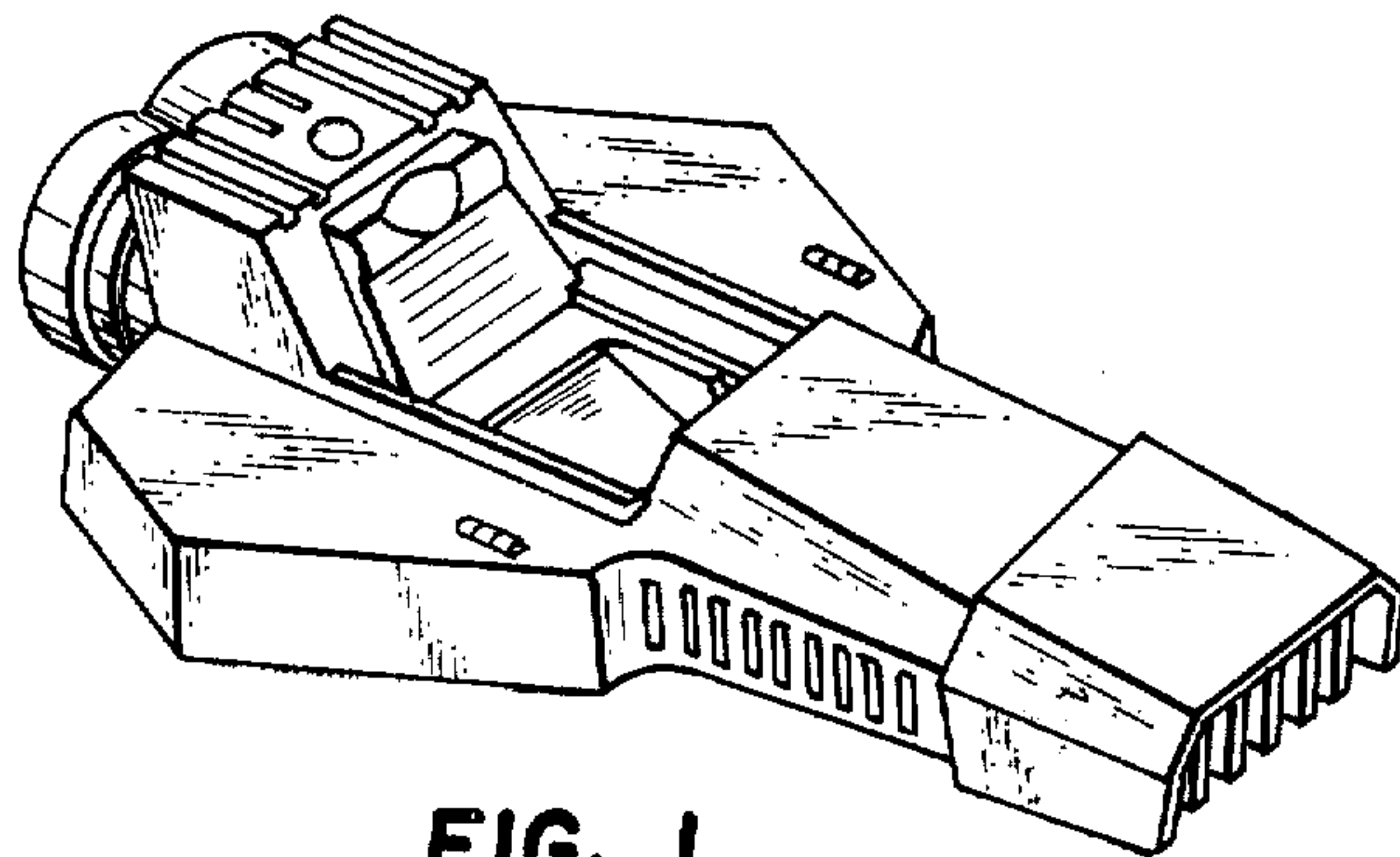
[57] CLAIM

The ornamental design for a toy space rocket, substantially as shown and described.

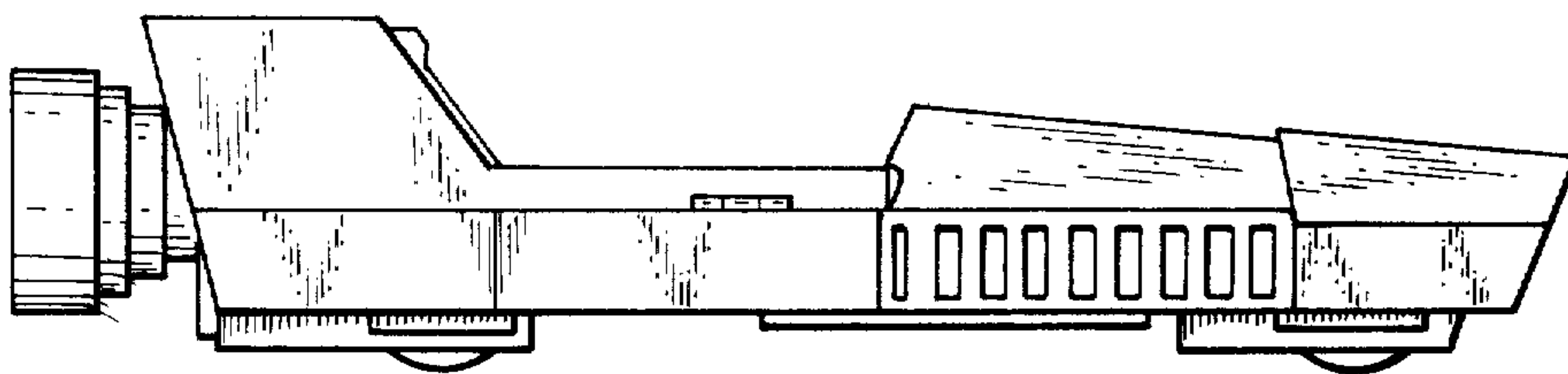
DESCRIPTION

FIG. 1 is a perspective view of a toy space rocket showing my new design;  
FIG. 2 is a right-side elevational view thereof, the left side being substantially a mirror image;  
FIG. 3 is a rear elevational view thereof; and  
FIG. 4 is a bottom plan view thereof.

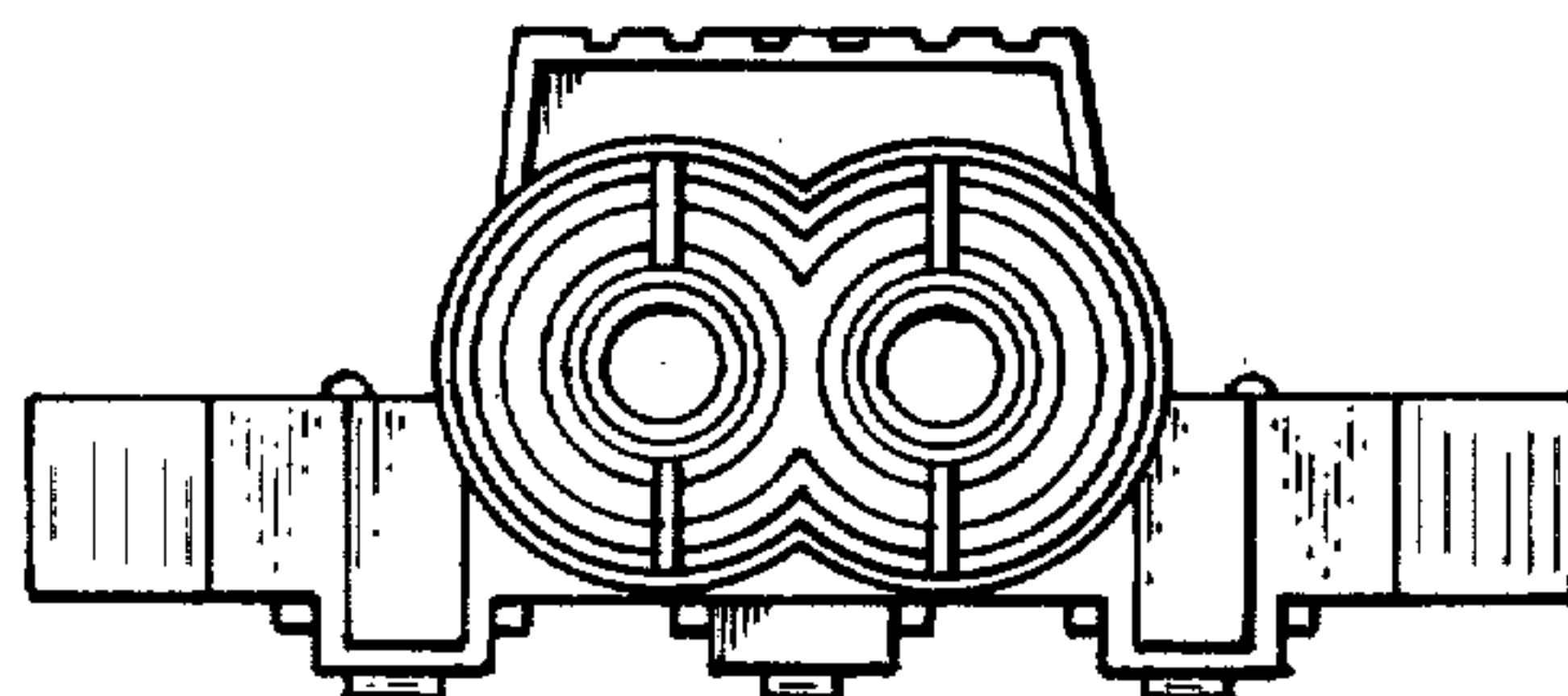




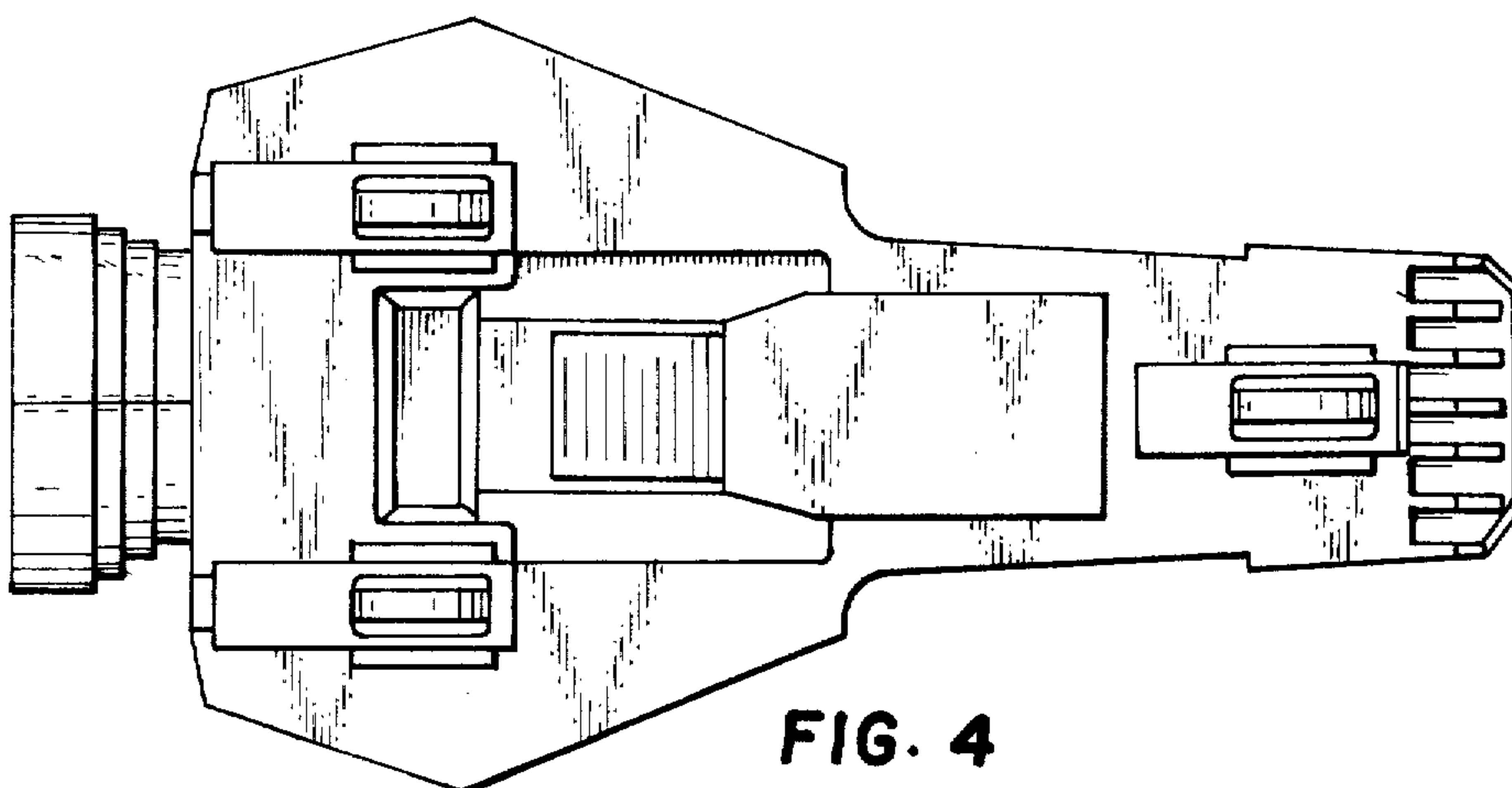
**FIG. 1**



**FIG. 2**



**FIG. 3**



**FIG. 4**