

[54] ROTARY CARD FILE

- [75] Inventor: **Albrecht Goertz**, Nassau, The Bahamas
- [73] Assignee: **Rolodex Corporation**, Secaucus, N.J.
- [**] Term: **14 Years**
- [21] Appl. No.: **963,218**
- [22] Filed: **Nov. 24, 1978**

Related U.S. Application Data

- [63] Continuation-in-part of Ser. No. 757,514, Jan. 7, 1977, abandoned.
- [51] Int. Cl. **D19-02**
- [52] U.S. Cl. **D19/76**
- [58] Field of Search **D19/76, 75, 65, 78, D19/89, 100; D9/230-237; 40/379, 371, 377**

References Cited

U.S. PATENT DOCUMENTS

D. 243,526	3/1977	Overman	D19/76
2,703,744	3/1955	Karper	40/379
2,731,966	1/1956	Neilsen	40/379
3,890,727	6/1975	Rose	D19/76
4,079,531	3/1978	Norris et al.	D19/76

FOREIGN PATENT DOCUMENTS

88889 1/1957 Norway 40/379

OTHER PUBLICATIONS

Office Products 2/76, p. 42, Item No. 2.
Office Products 6/76, p. 63, Item No. 2.

Primary Examiner—George P. Word
Attorney, Agent, or Firm—Robert E. Burns; Emmanuel J. Lobato; Bruce L. Adams

[57] **CLAIM**

The ornamental design for a rotary card file, as shown and described.

DESCRIPTION

FIG. 1 is a perspective view of a rotary card file showing my new design;
 FIG. 2 is a rear elevational view thereof;
 FIG. 3 is a perspective view thereof in open condition;
 FIG. 4 is a rear elevational view of FIG. 3;
 FIG. 5 is a right side elevational view of FIG. 1, the opposite side being a mirror image thereof;
 FIG. 6 is a fragmentary perspective view of a modified form of the rotary card file, it being understood that portions not shown are identical to those shown in FIGS. 1 and 3; and
 FIG. 7 is a side elevational view of the knob shown in FIG. 6.
 The bottom of the rotary card file is plain and unornamented.

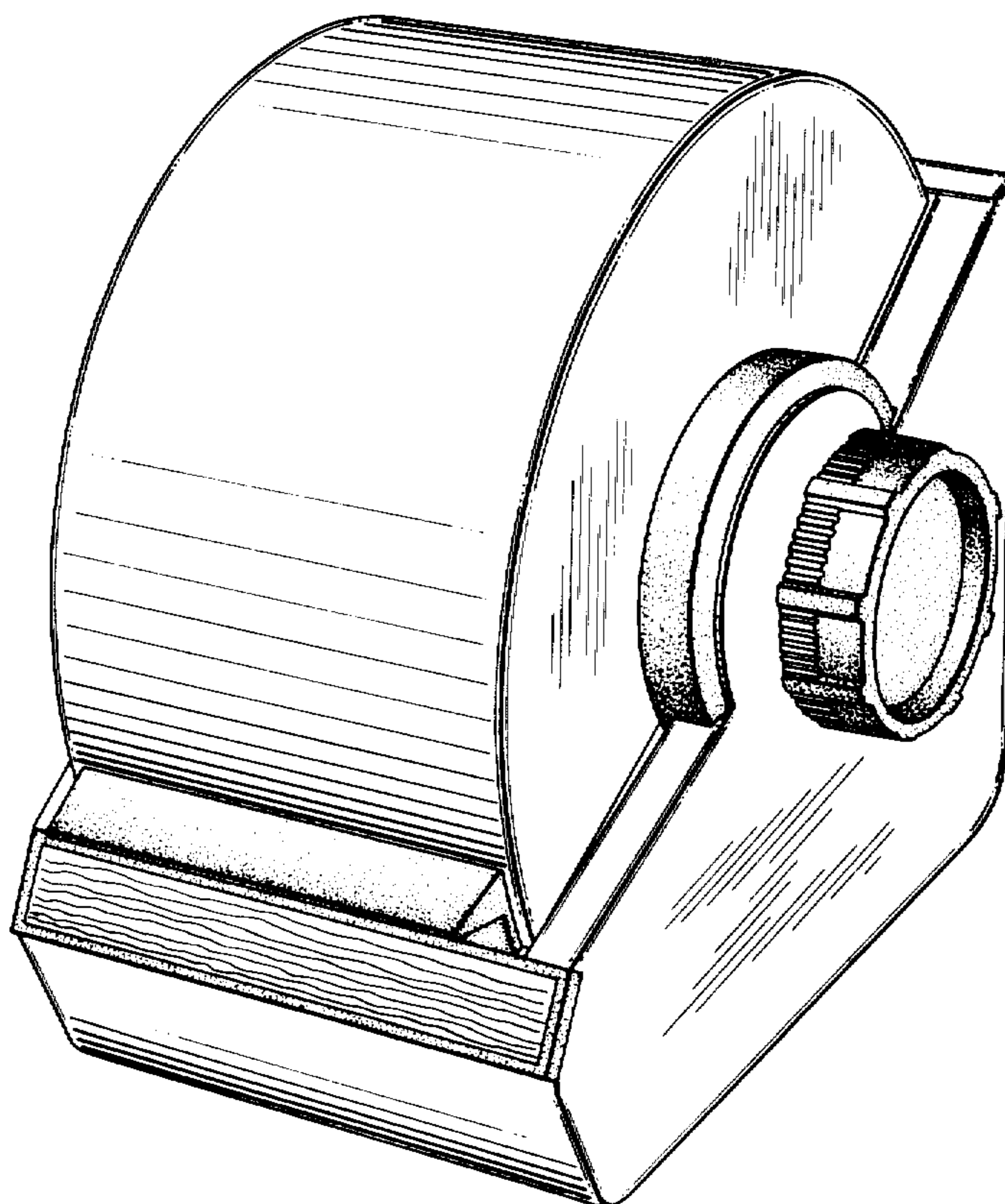


FIG. 1

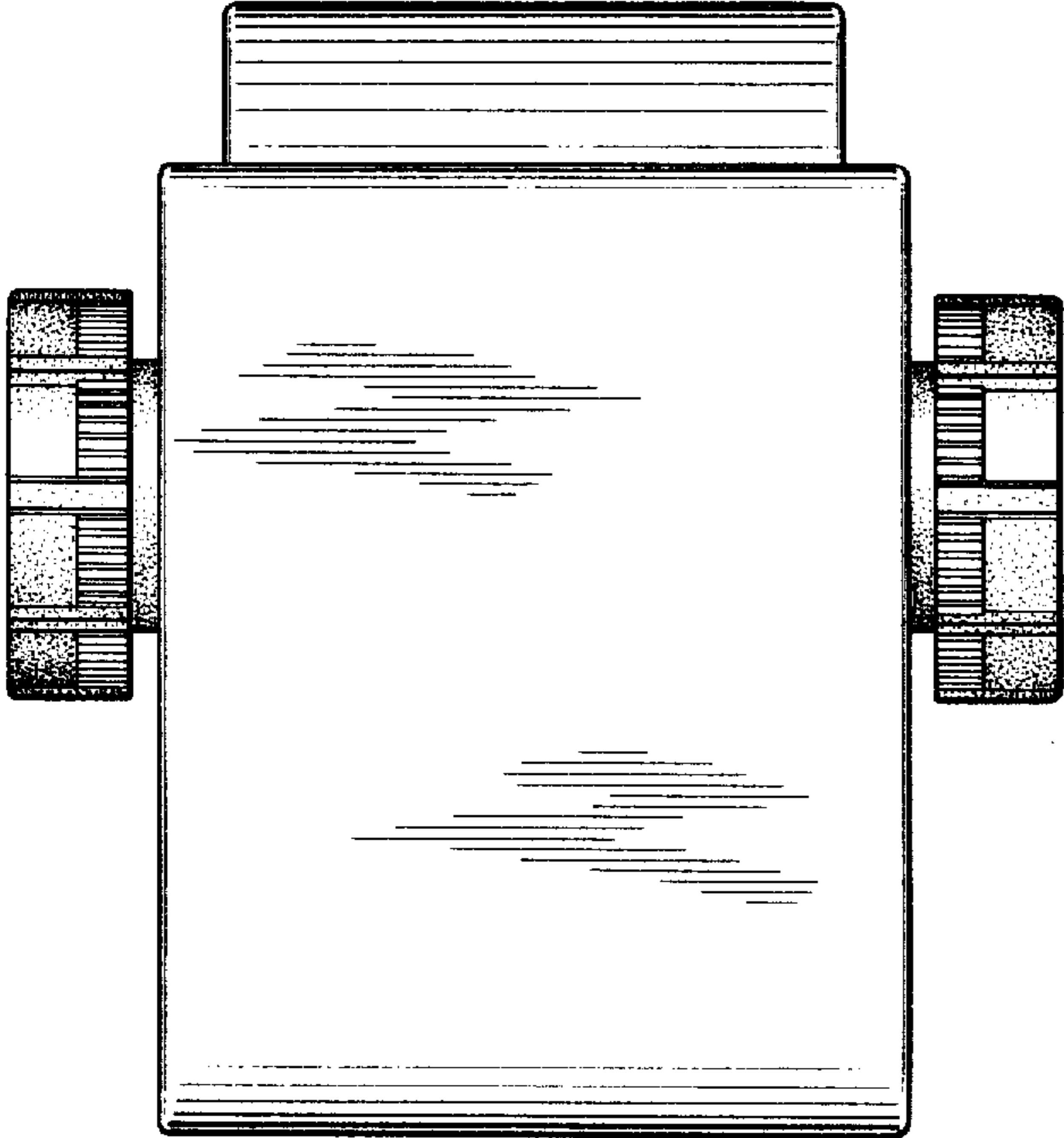
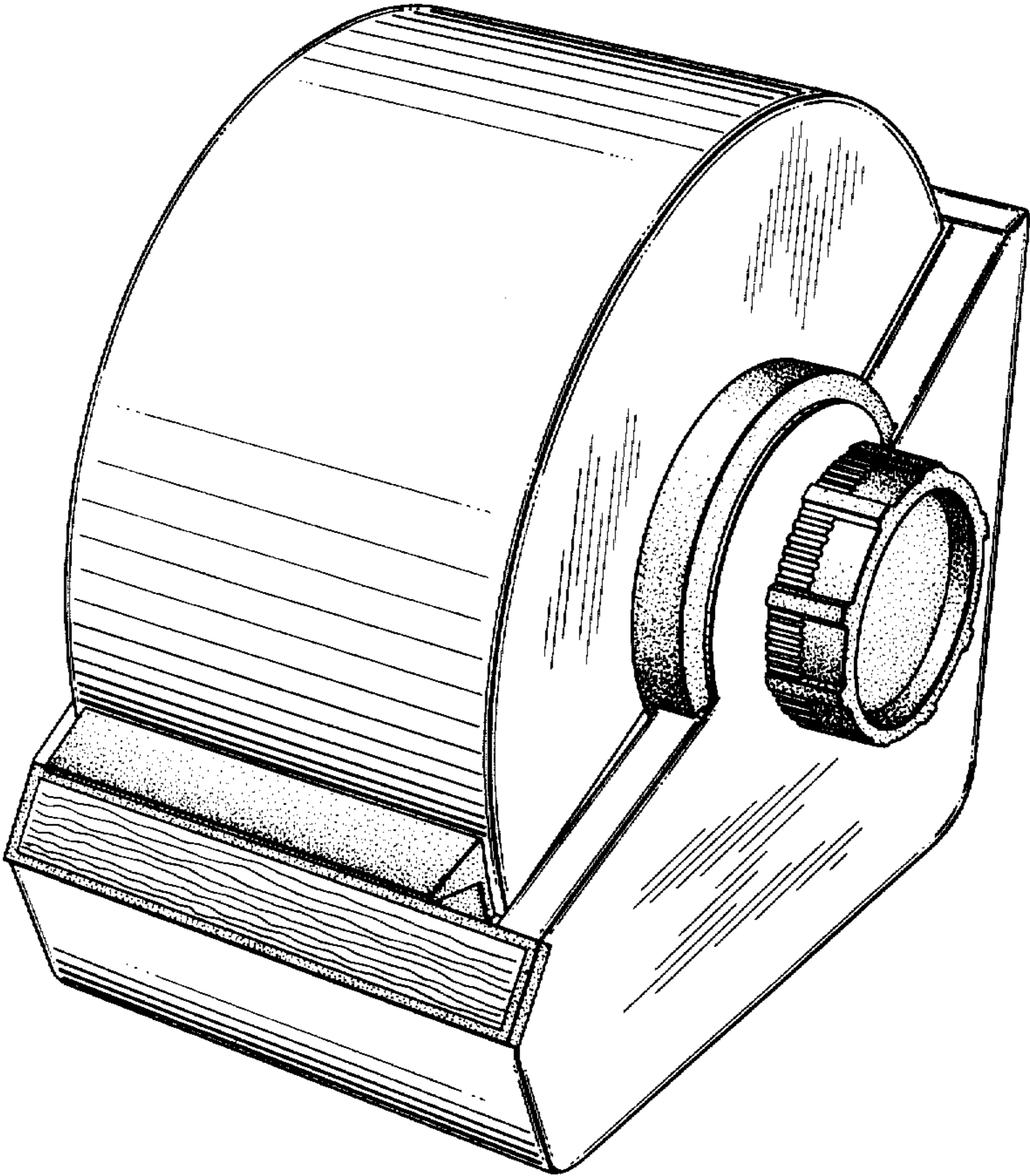


FIG. 2

FIG. 3

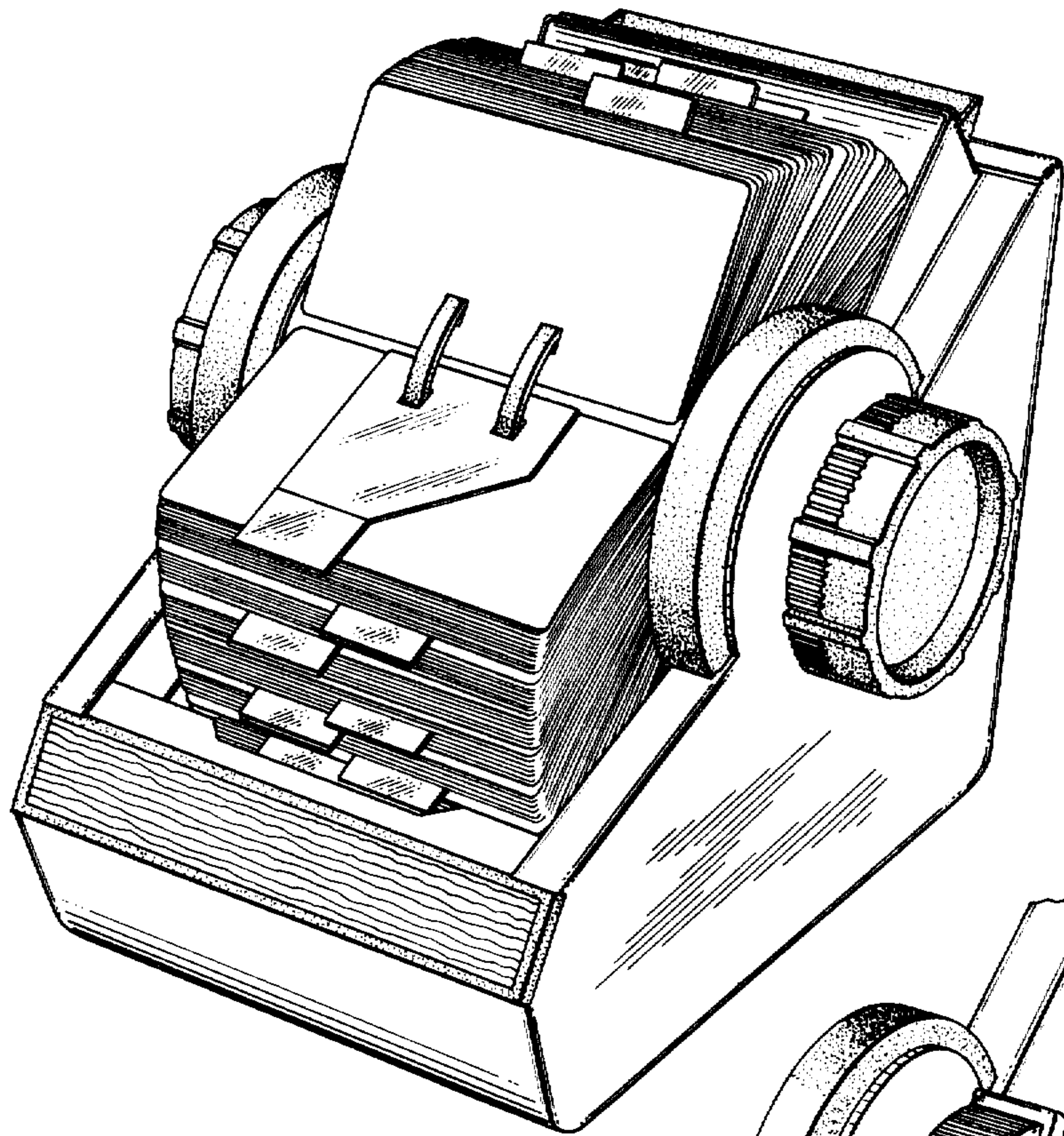


FIG. 4

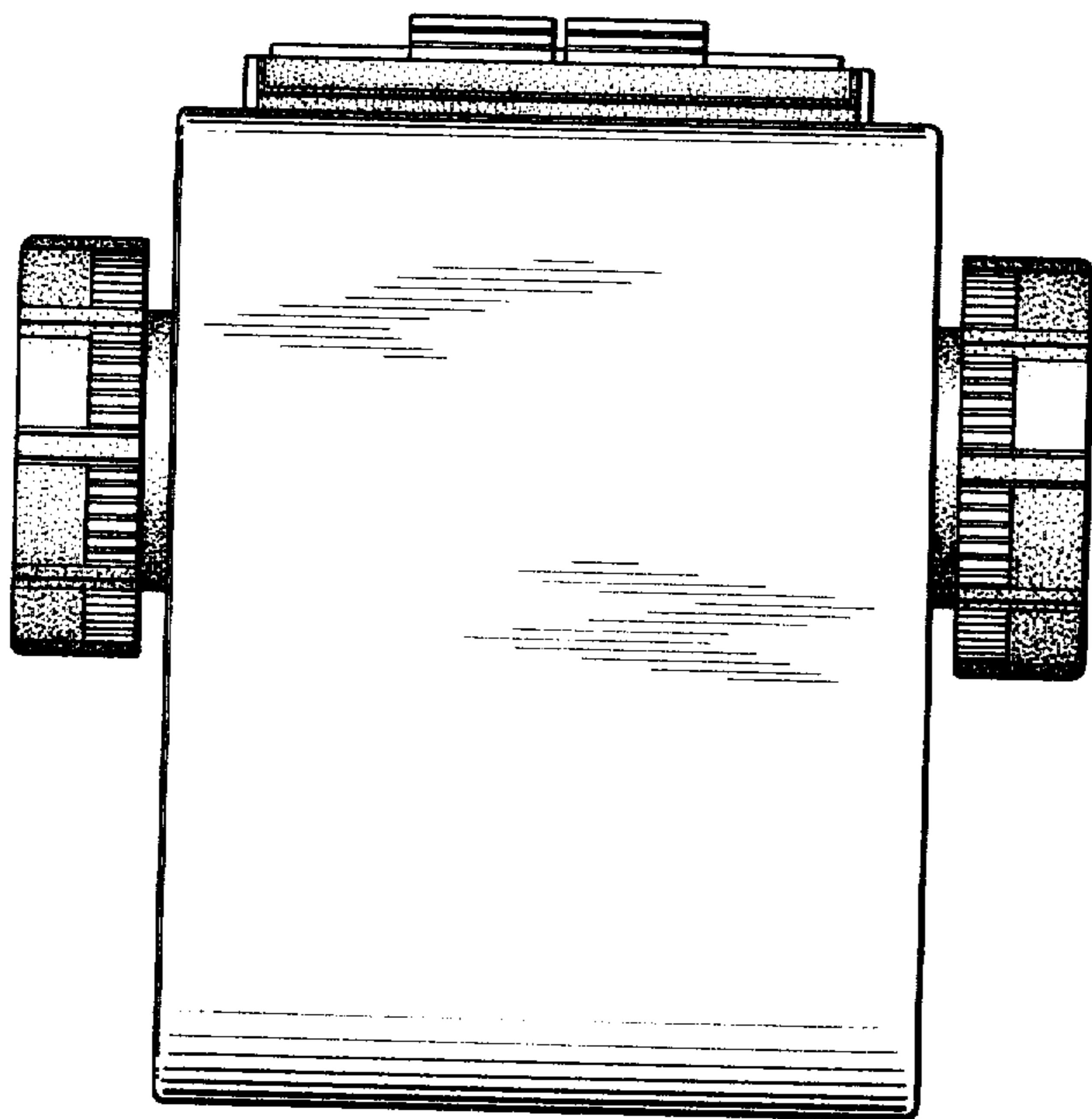


FIG. 6

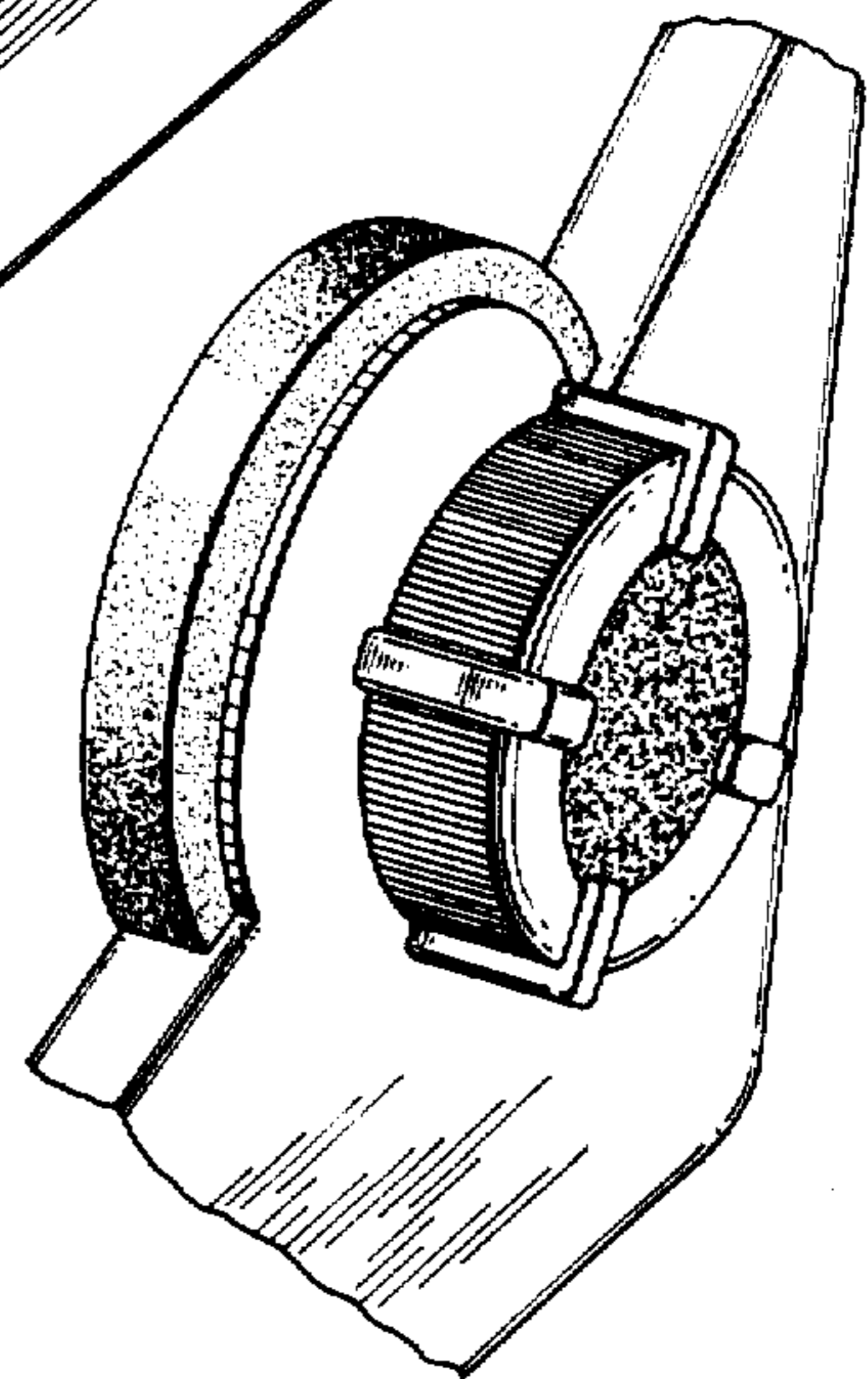
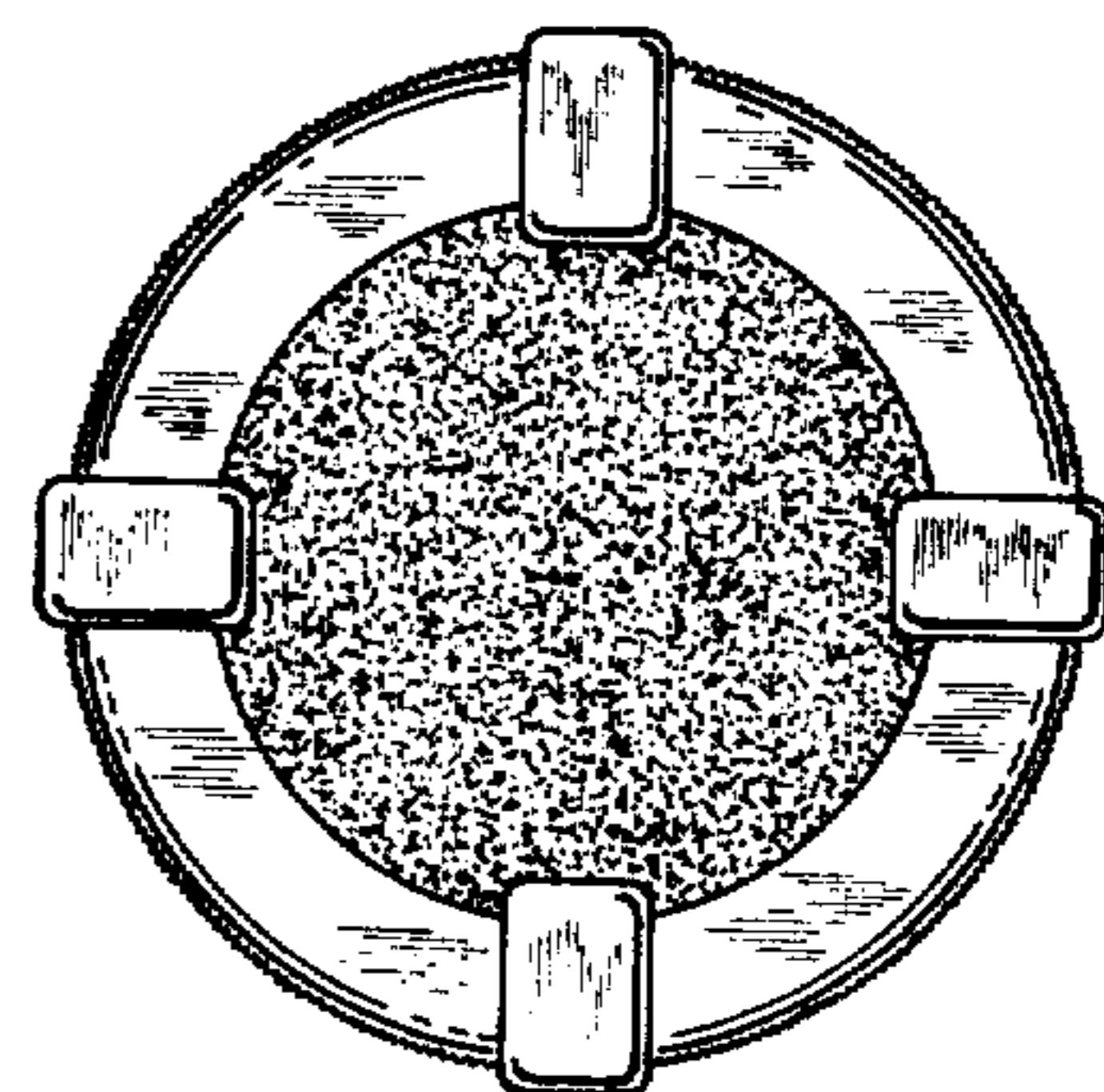


FIG. 7



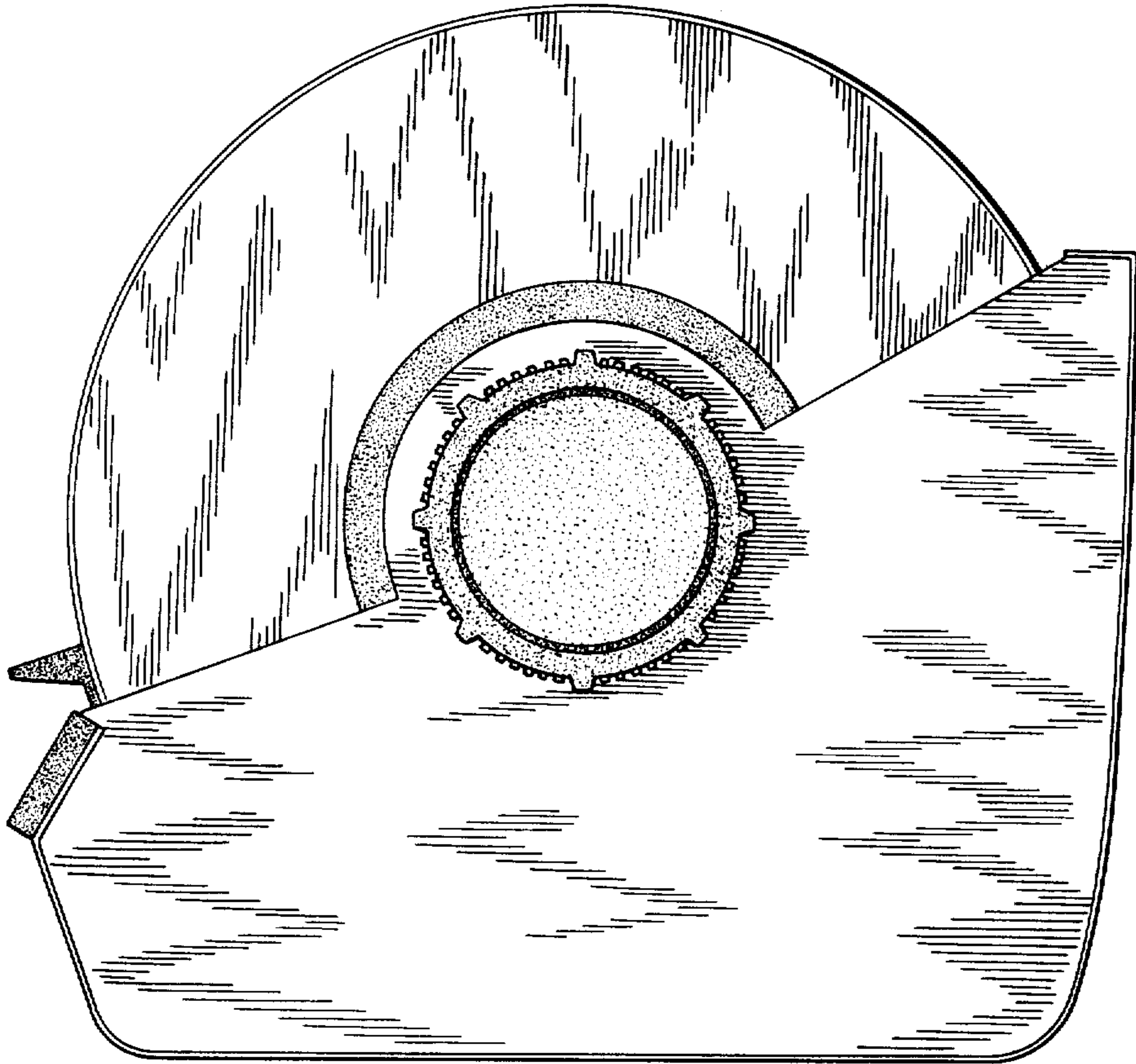


FIG. 5