

[54] **PRINTER RIBBON CASSETTE**

[75] Inventors: **Masanori Hashimoto; Koichi Soda,**
both of Tokyo, Japan

[73] Assignee: **Ricoh Company Ltd.,** Tokyo, Japan

[**] Term: **14 Years**

[21] Appl. No.: **109,059**

[22] Filed: **Jan. 2, 1980**

[30] **Foreign Application Priority Data**

Jul. 13, 1979 [JP] Japan 54-29244

[51] Int. Cl. **D18-01**

[52] U.S. Cl. **D18/12**

[58] Field of Search **D18/1, 12; 400/207,**
400/208, 208.1, 196, 196.1, 693; 206/389;
D14/11

[56] **References Cited**

U.S. PATENT DOCUMENTS

D. 244,965	7/1977	Trezise et al.	D18/12
D. 245,116	7/1977	Trezise	D18/12
3,918,569	11/1975	Parker	400/196
3,993,182	11/1976	Steinke	400/693
4,010,839	3/1977	Guerrini	400/207
4,147,439	4/1979	Colecchi	400/208

Primary Examiner—Robert C. Spangler
Attorney, Agent, or Firm—Wyatt, Gerber, Shoup,
Scobey & Badie

[57] **CLAIM**

The ornamental design for a printer ribbon cassette, as shown and described.

DESCRIPTION

FIG. 1 is a right side front perspective view of a printer ribbon cassette, showing our new design.
FIG. 2 is a front elevational view thereof.
FIG. 3 is a right side elevational view thereof.
FIG. 4 is a top plan view thereof.
FIG. 5 is a left side elevational view thereof.
FIG. 6 is a rear elevational view thereof.
FIG. 7 is a bottom plan view thereof.

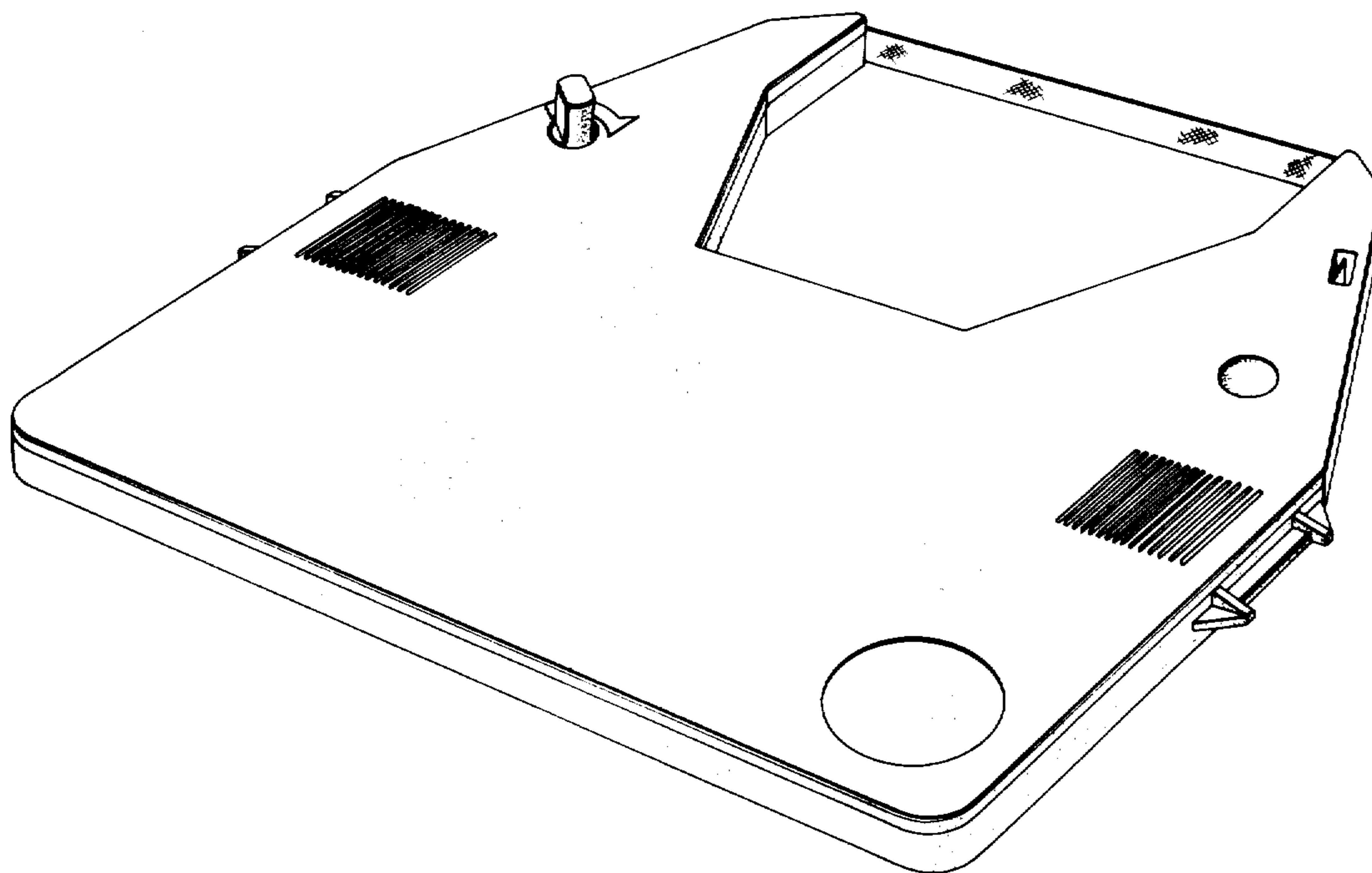


FIG. 1

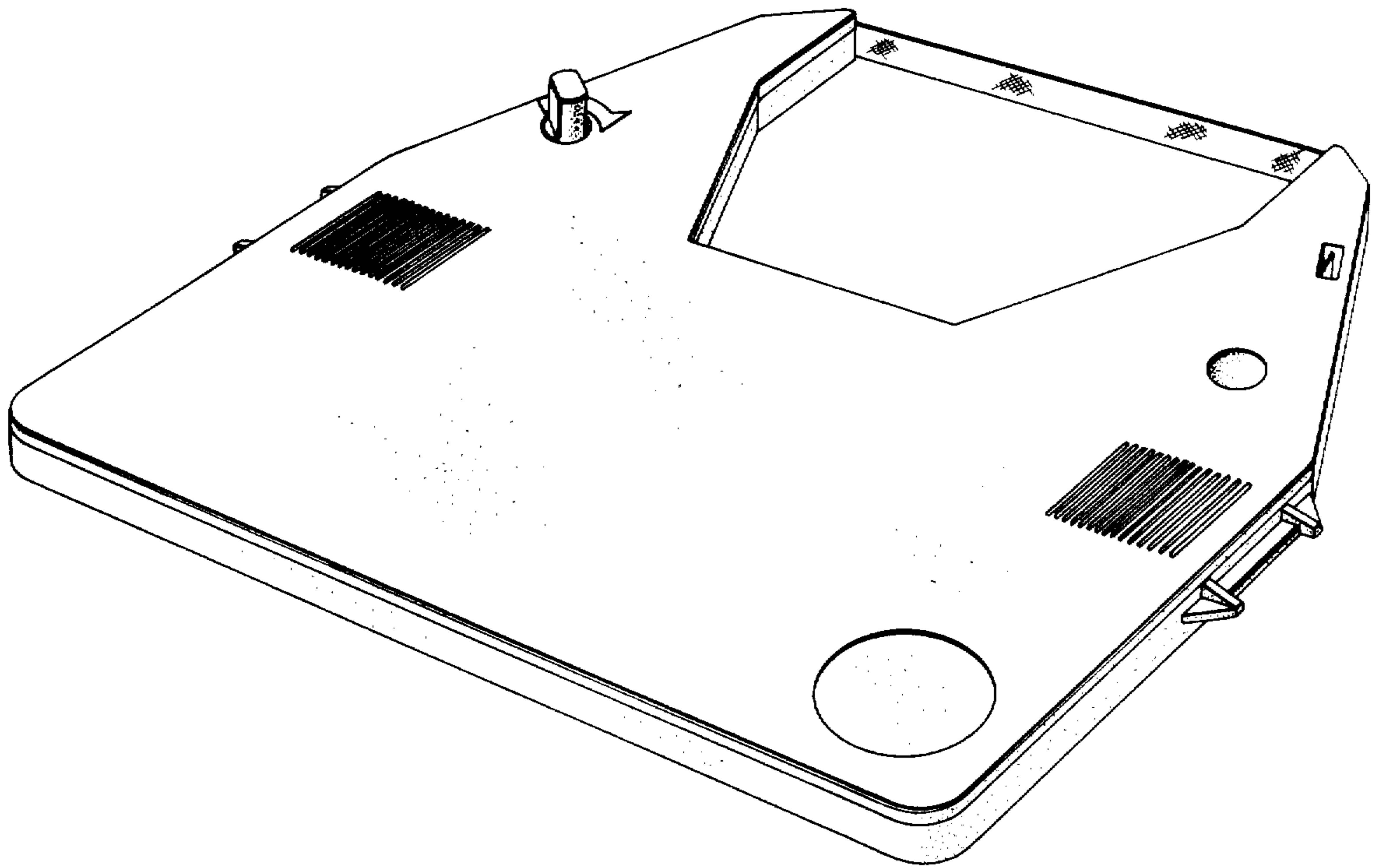


FIG. 2

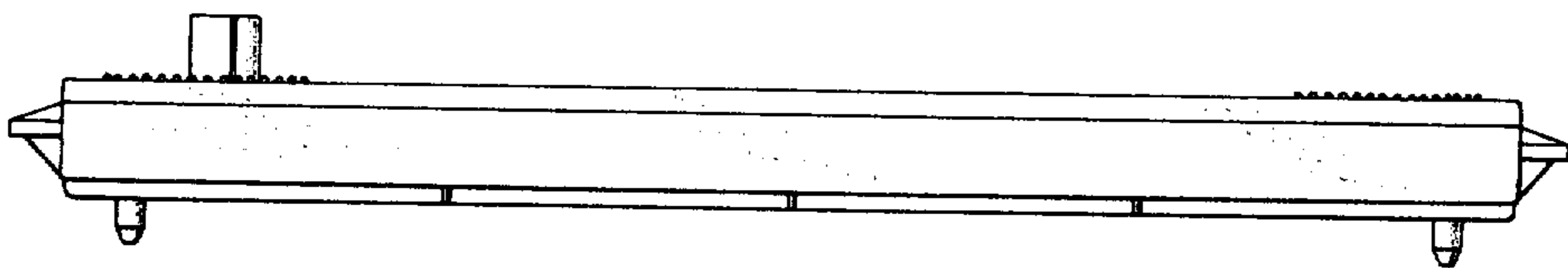


FIG. 3

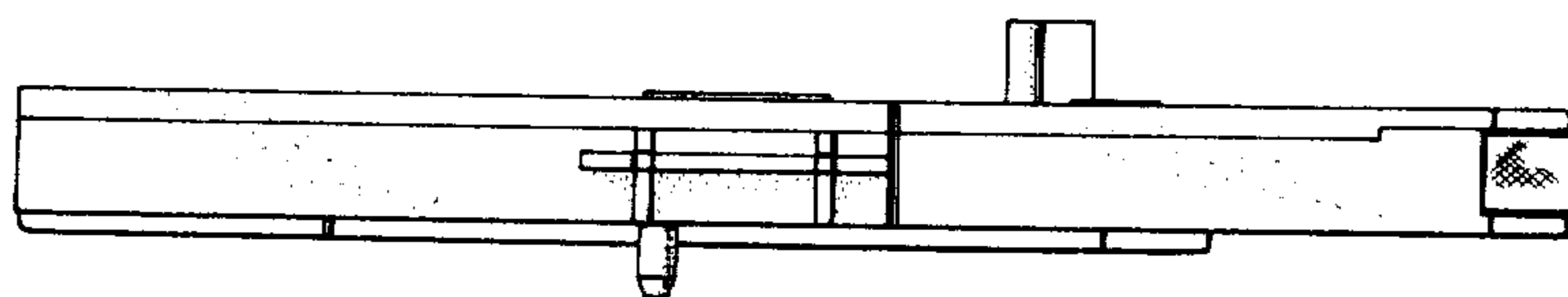


FIG. 4

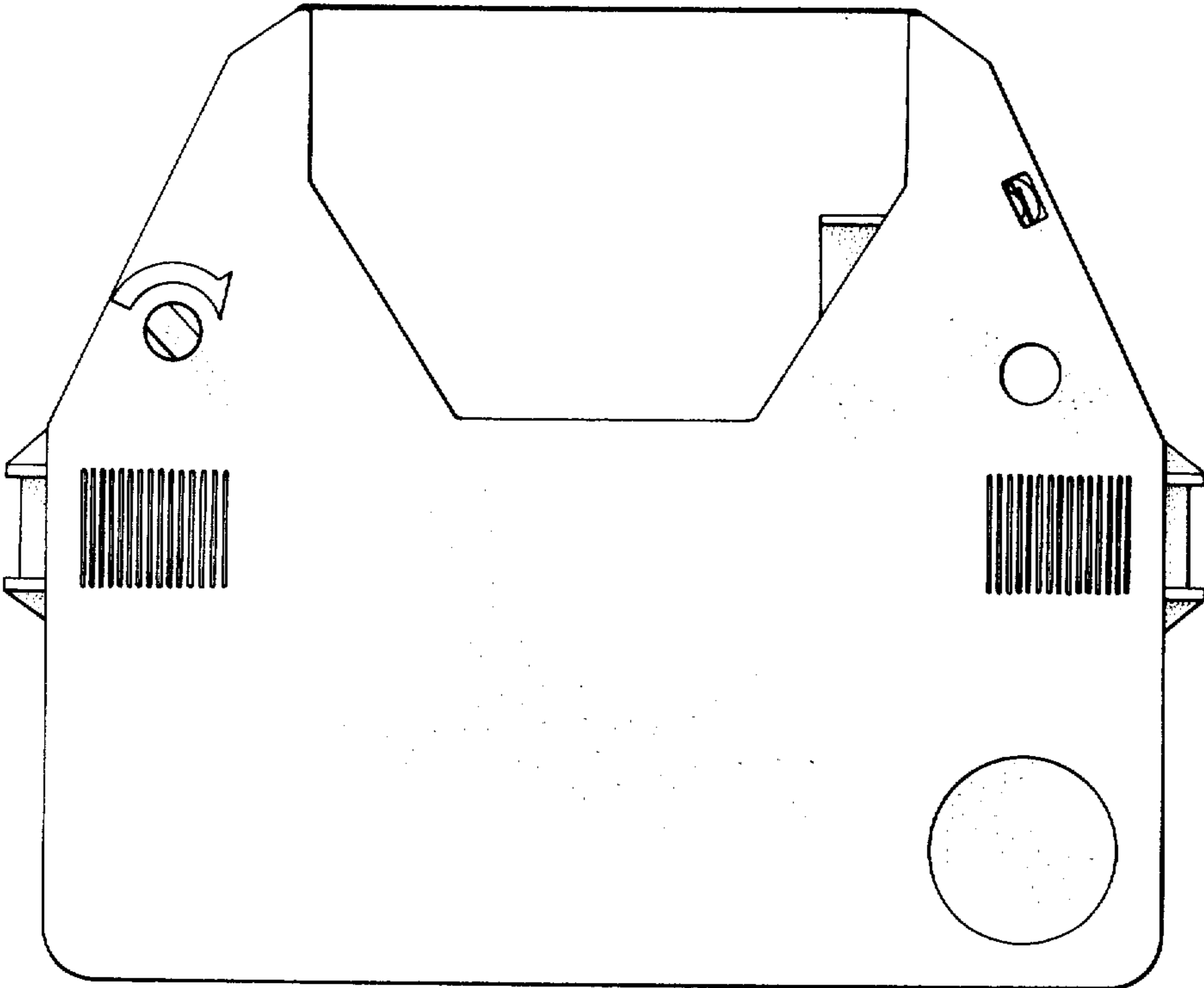


FIG. 5

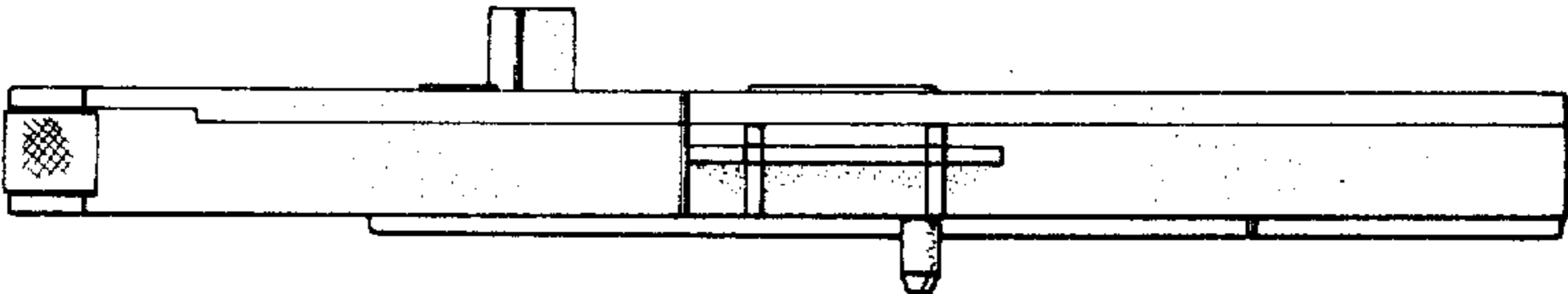


FIG. 6

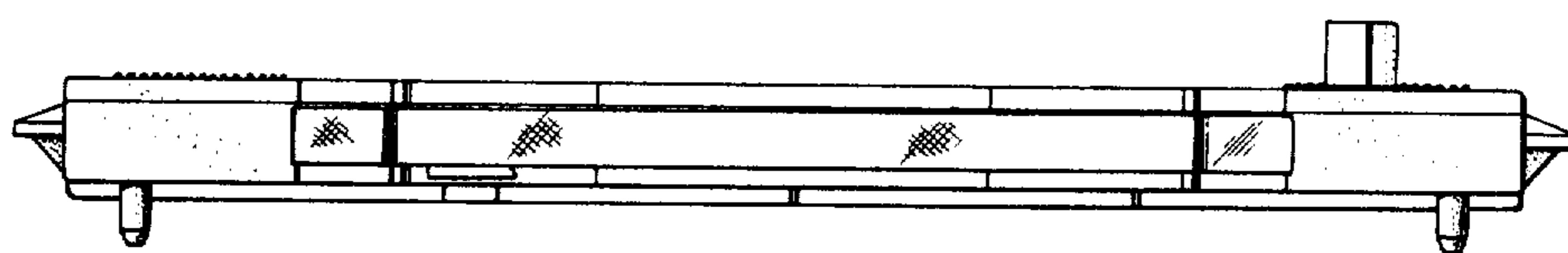


FIG. 7

