

[54] DUPLICATING APPARATUS

[75] Inventor: Casimir S. Samczyk, Itasca, Ill.

[73] Assignee: White Consolidated Industries, Inc.,  
Cleveland, Ohio

[\*\*] Term: 14 Years

[21] Appl. No.: 929,386

[22] Filed: Jul. 31, 1978

[51] Int. Cl. .... D16-03

[52] U.S. Cl. .... D16/31

[58] Field of Search ..... D16/27, 30, 31;  
101/113, 116, 119

[56] References Cited

PUBLICATIONS

Office Products-Jul. 1976-back cover-Heyer Mimeograph.

Office Products-Sep. 1976-back cover-Heyer Mimeographs.

Primary Examiner—Catherine E. Kemper  
Attorney, Agent, or Firm—Pearne, Gordon, Sessions,  
McCoy & Granger

[57] CLAIM

The ornamental design for a duplicating apparatus, as shown and described.

DESCRIPTION

FIG. 1 is a perspective view of a duplicating apparatus showing my new design.

FIG. 2 is a left side view thereof.

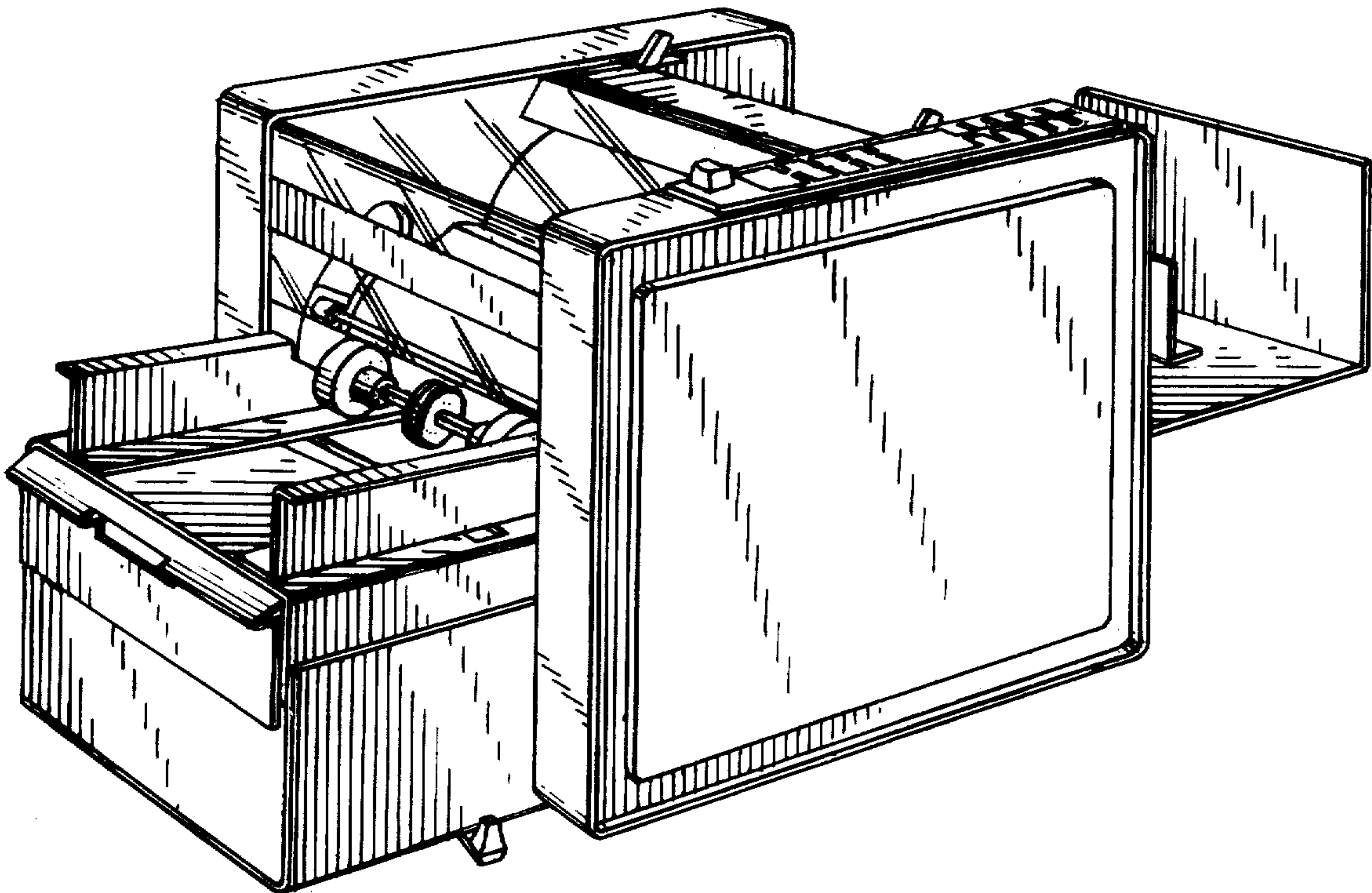
FIG. 3 is a front view thereof.

FIG. 4 is a rear view thereof.

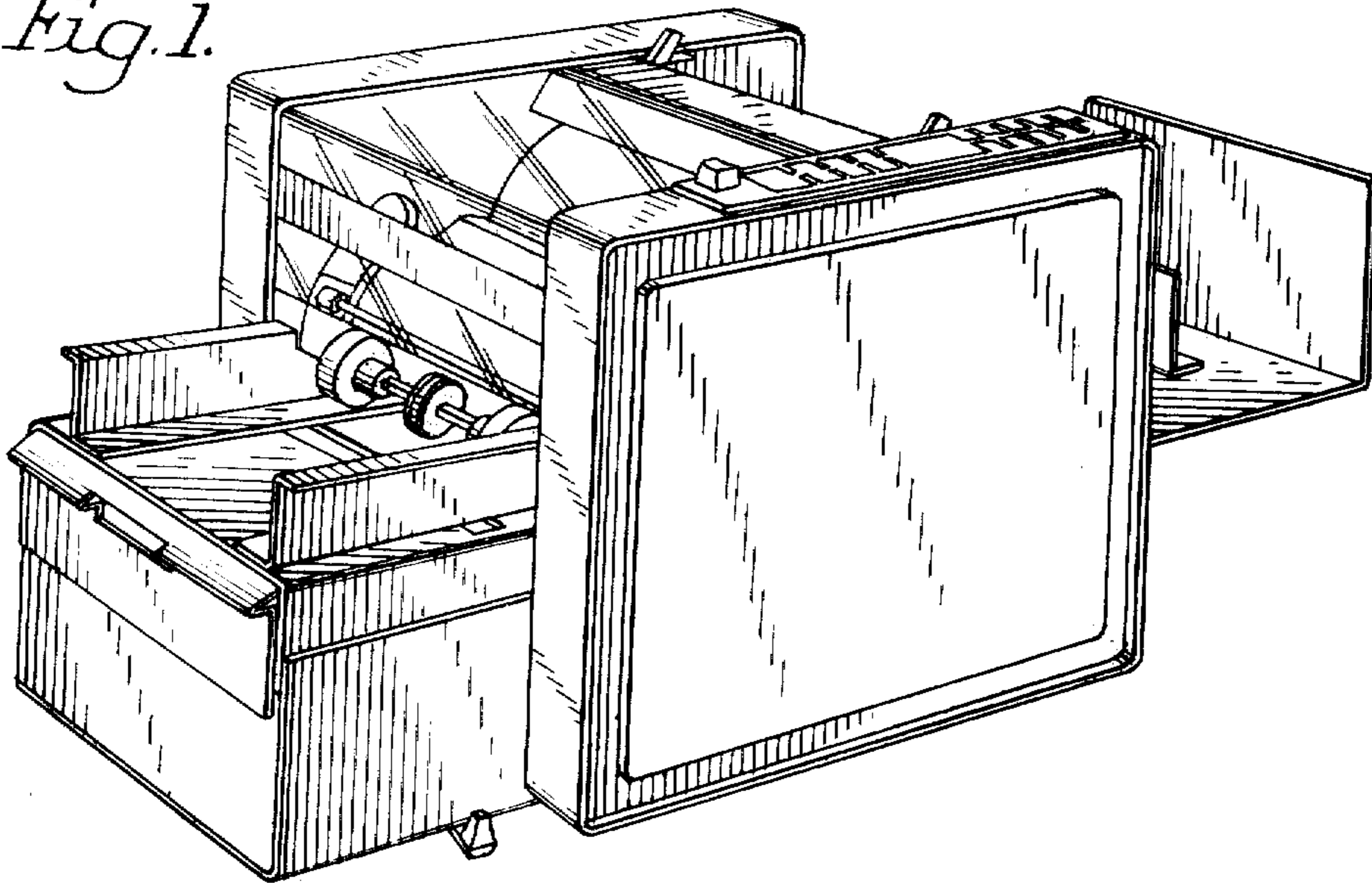
FIG. 5 is a right side view thereof.

FIG. 6 is a top view thereof.

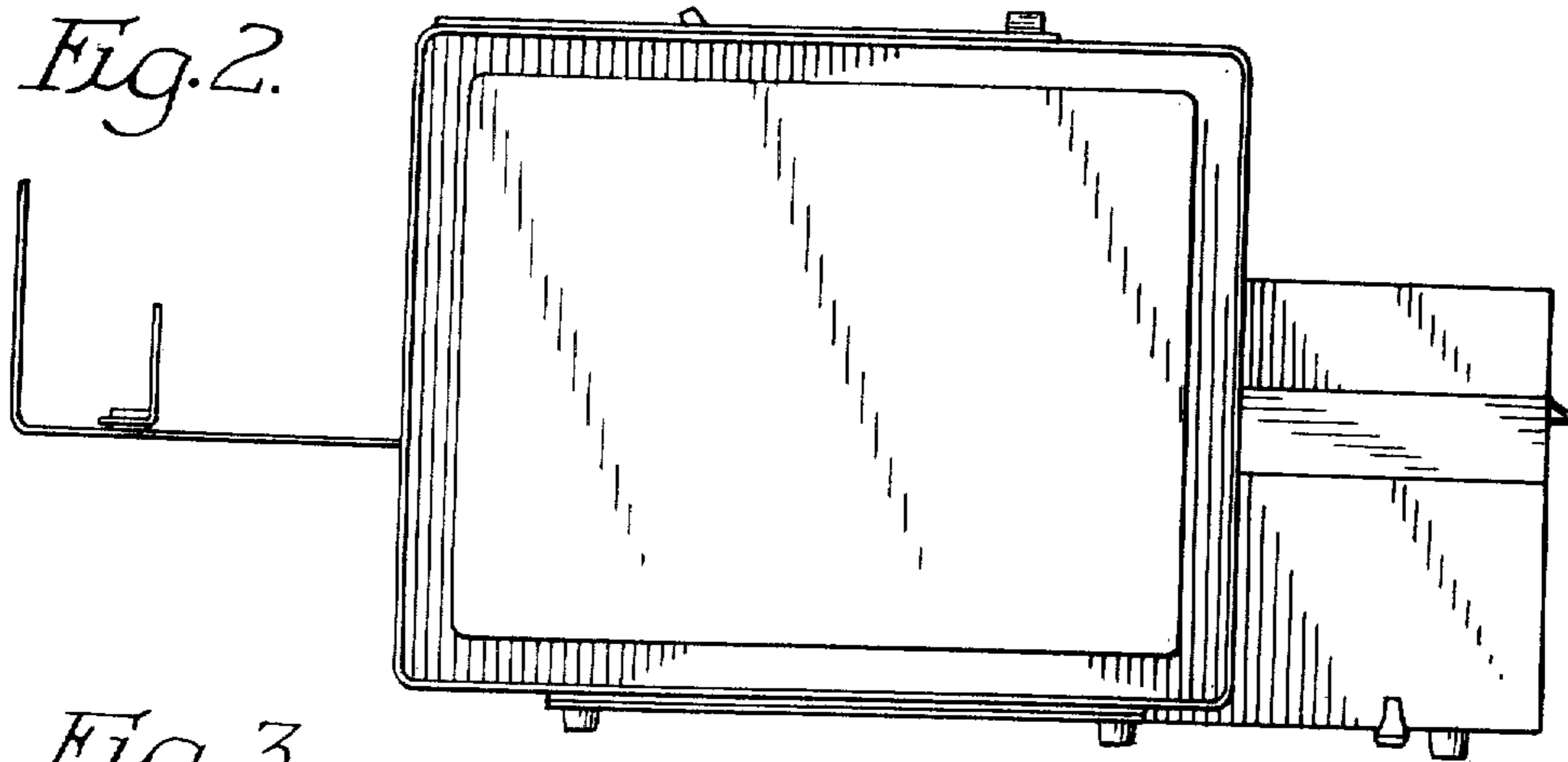
FIG. 7 is a bottom view thereof.



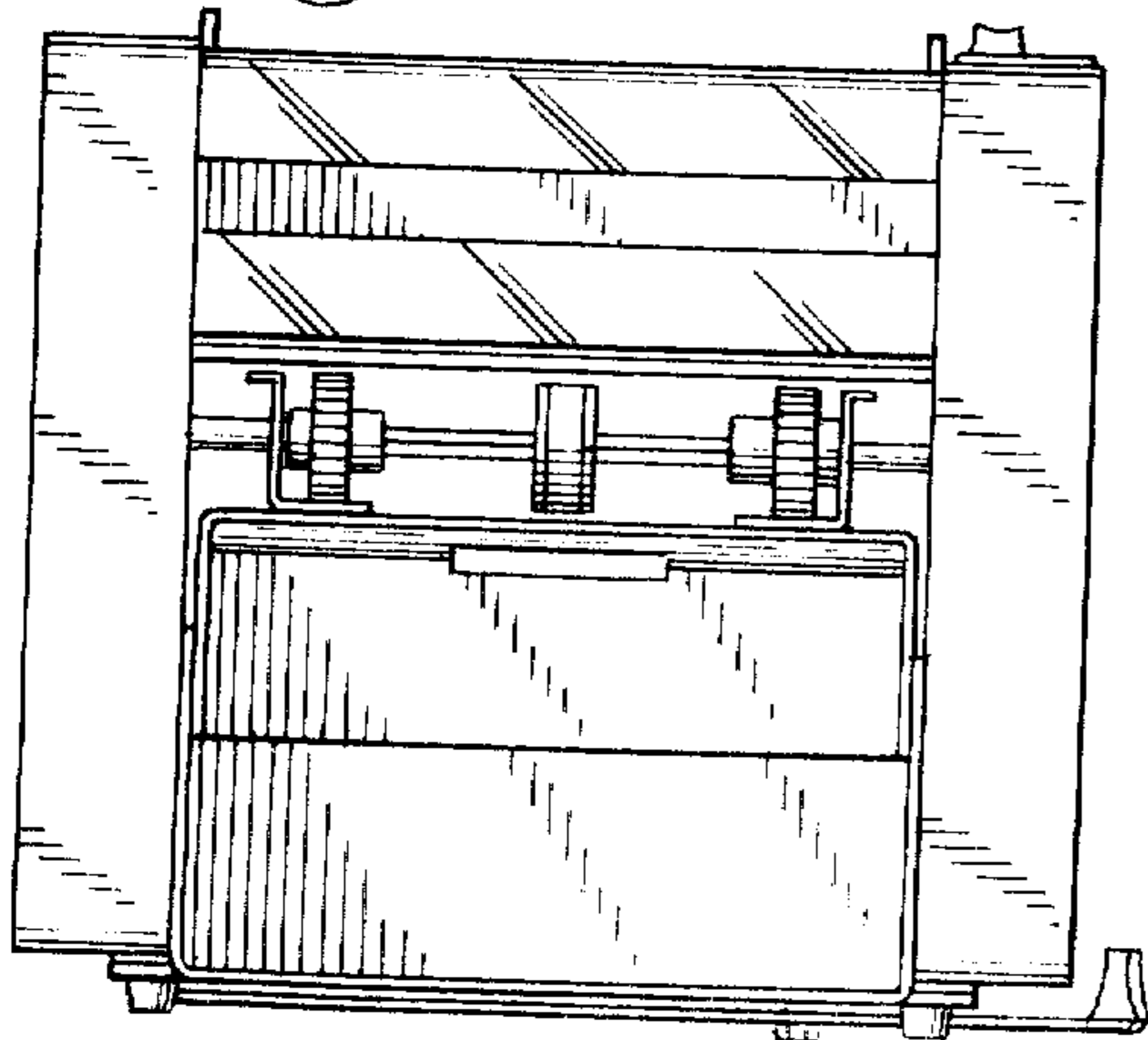
*Fig. 1.*



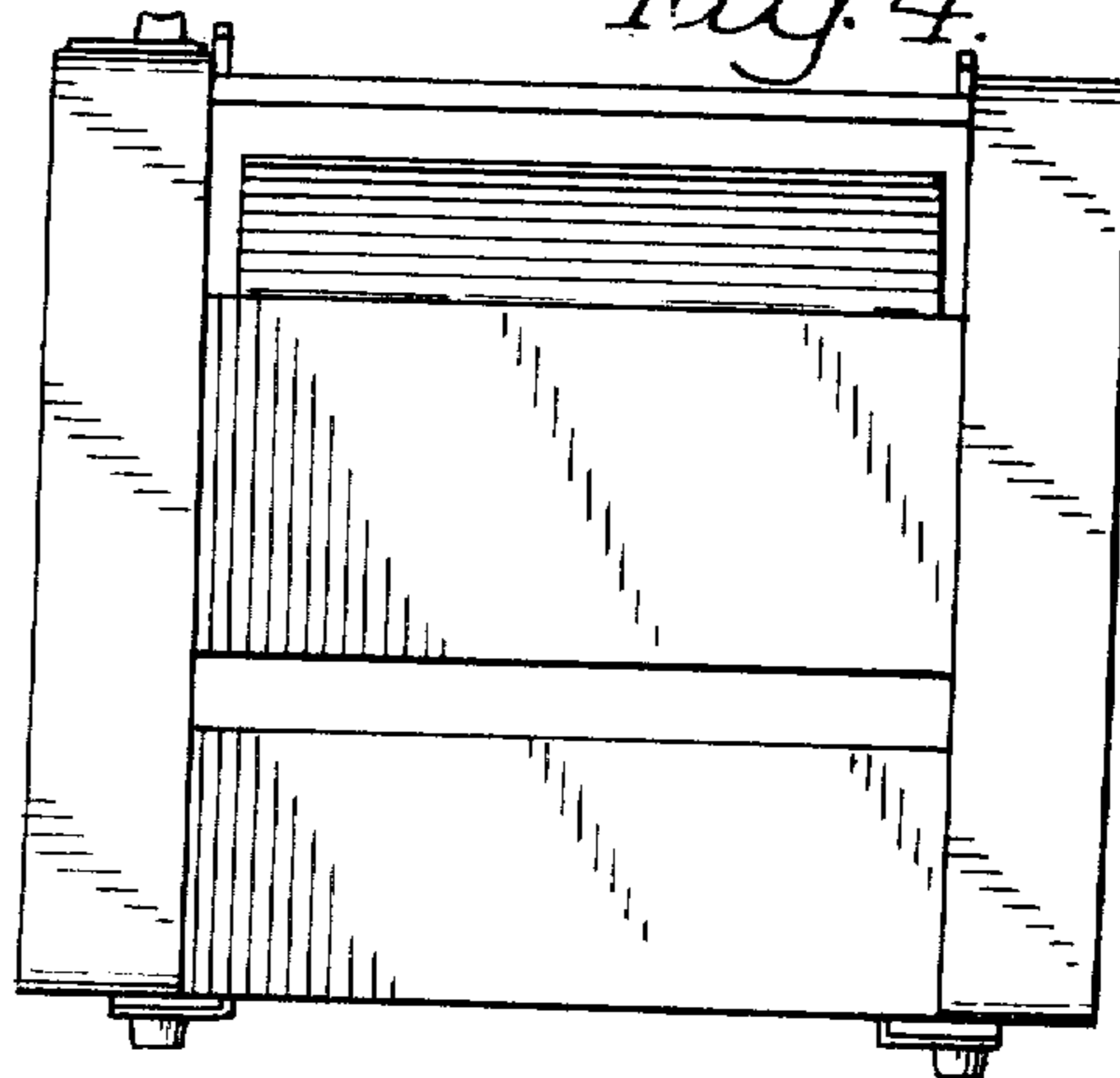
*Fig. 2.*



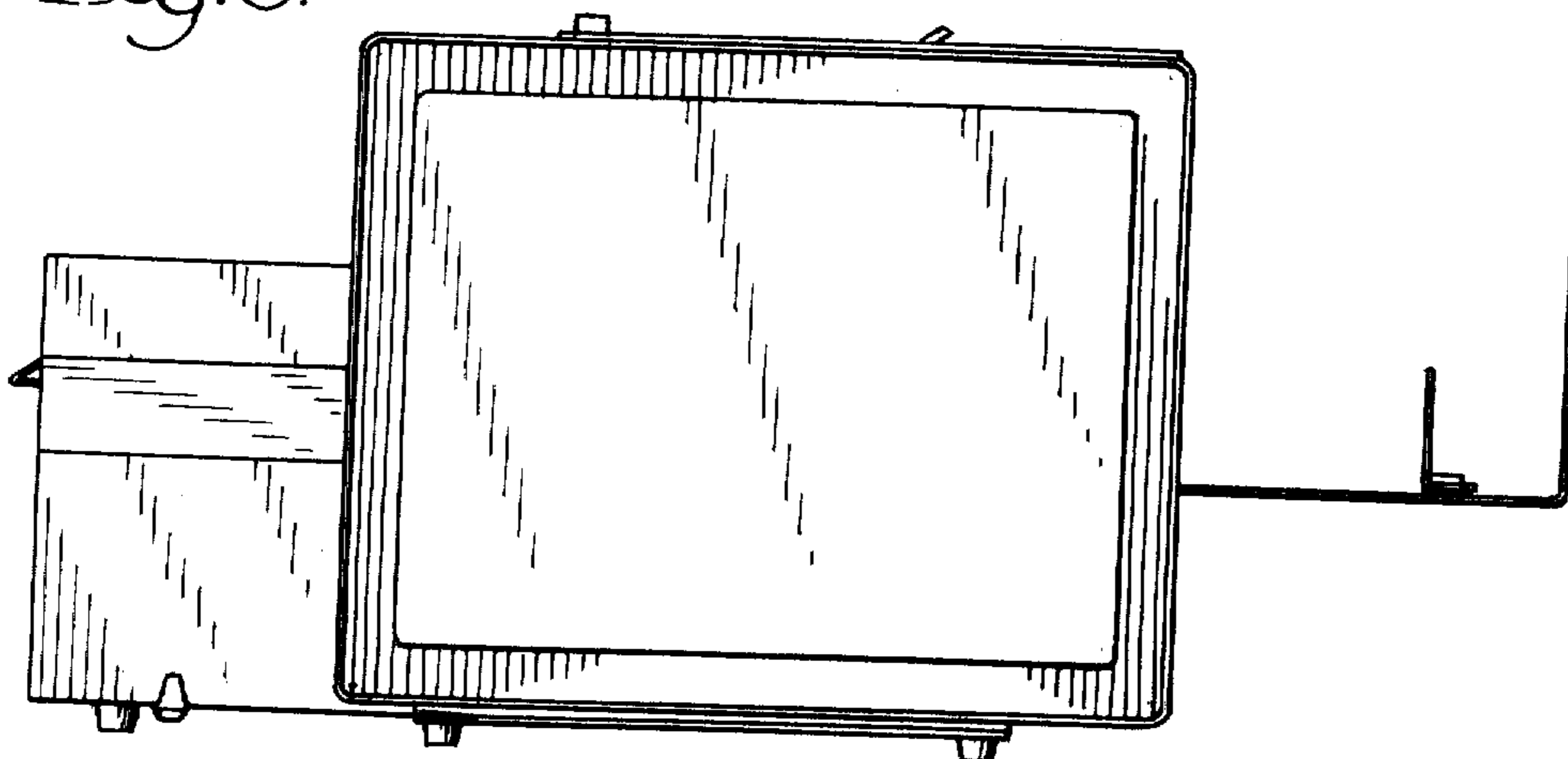
*Fig. 3.*



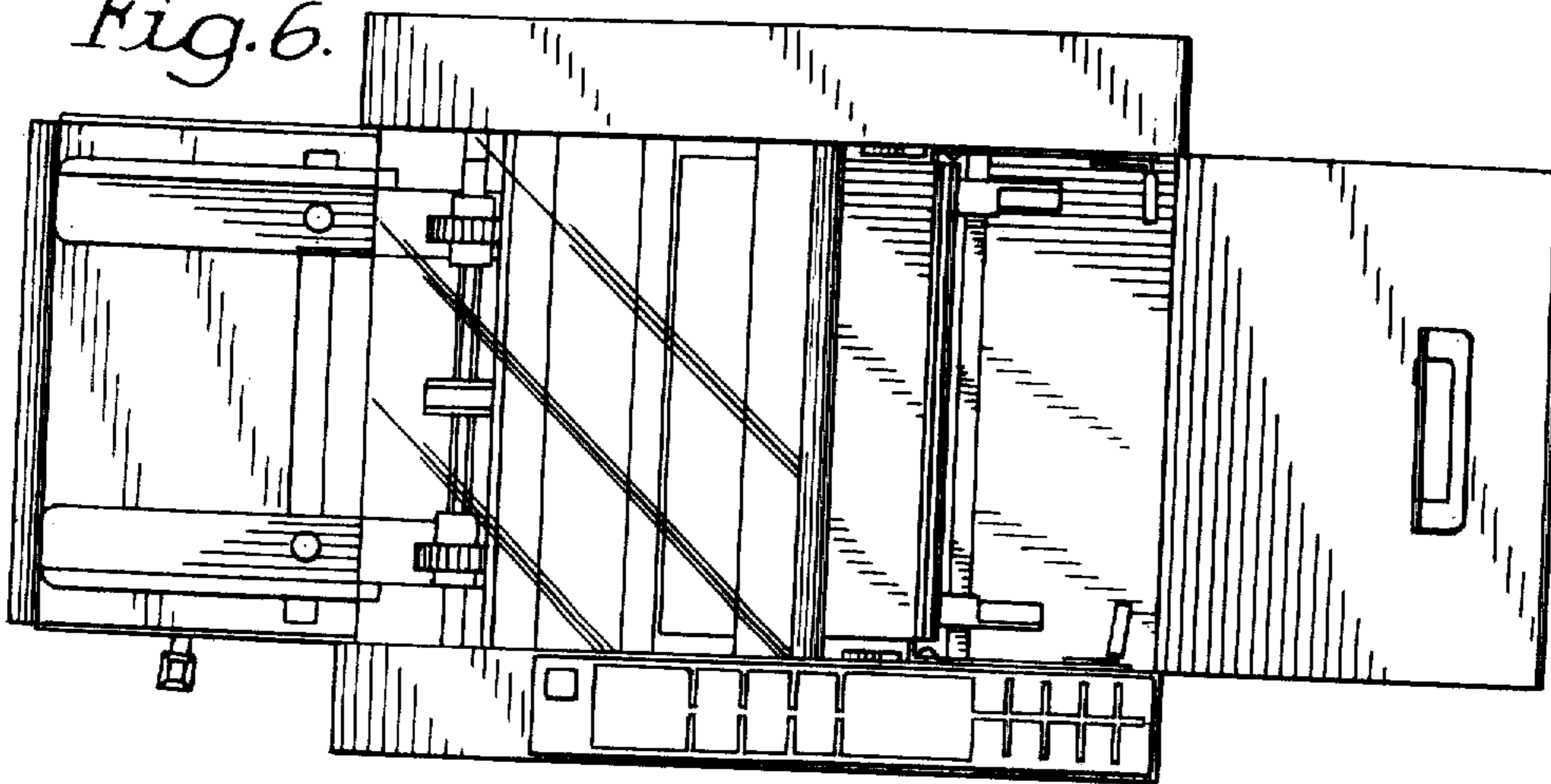
*Fig. 4.*



*Fig. 5.*



*Fig. 6.*



*Fig. 7.*

