

- [54] **COMBINED SWIMMING POOL COVER-ROLLER AND BRAKE**
- [76] Inventor: **Alfred D. Jeffrey**, 9 Delaware St., Epping, New South Wales 2121, Australia
- [\*\*] Term: **14 Years**
- [21] Appl. No.: **938,123**
- [22] Filed: **Aug. 30, 1978**
- [30] **Foreign Application Priority Data**  
Mar. 1, 1978 [AU] Australia ..... 74142
- [51] Int. Cl. .... **D15-99**
- [52] U.S. Cl. .... **D15/199**
- [58] Field of Search ..... D15/199; 242/75.4, 75.41, 242/86.52; 4/172.14

[56] **References Cited**

**U.S. PATENT DOCUMENTS**

1,307,559	6/1919	McNeilly	242/86.52
3,747,132	7/1973	Foster	4/172.14
3,777,319	12/1973	Myles	4/172.14
3,958,499	5/1976	Albee	D15/199
4,127,280	11/1978	McCullough	242/86.52

Primary Examiner—Sam Rosen  
Attorney, Agent, or Firm—Ladas & Parry

[57] **CLAIM**

The ornamental design for a combined swimming pool cover-roller and brake, substantially as shown and described.

**DESCRIPTION**

FIG. 1 is a front perspective view of a combined swimming pool cover-roller and brake showing my new design, and wherein the broken lines indicate the cover being rolled;

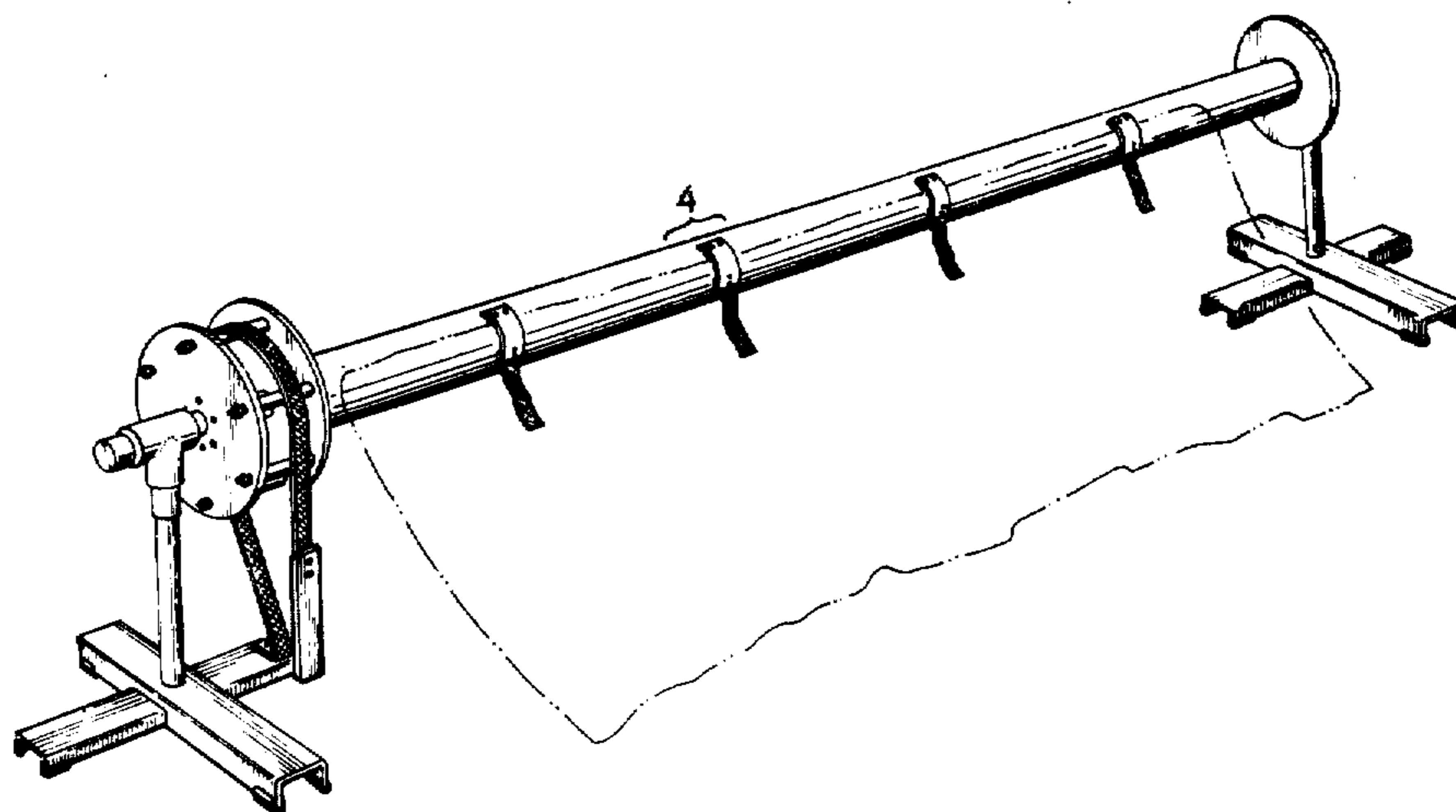
FIG. 2 is a plan view as seen from the top of FIG. 1 with the central portion shown broken away for convenience of illustration;

FIG. 3 is an elevational view as seen from the right of FIG. 1; and

FIG. 4 is an enlarged view taken approximately between the bracket indicated as 4 in FIG. 1 but with the tab raised for purpose of illustration.

The cover is shown in broken lines in FIG. 1 for illustrative purposes only and does not form part of the claimed design.

The arrow shown at the left end of FIG. 1 indicates the direction of turning and in FIG. 4 the swing of the tab.



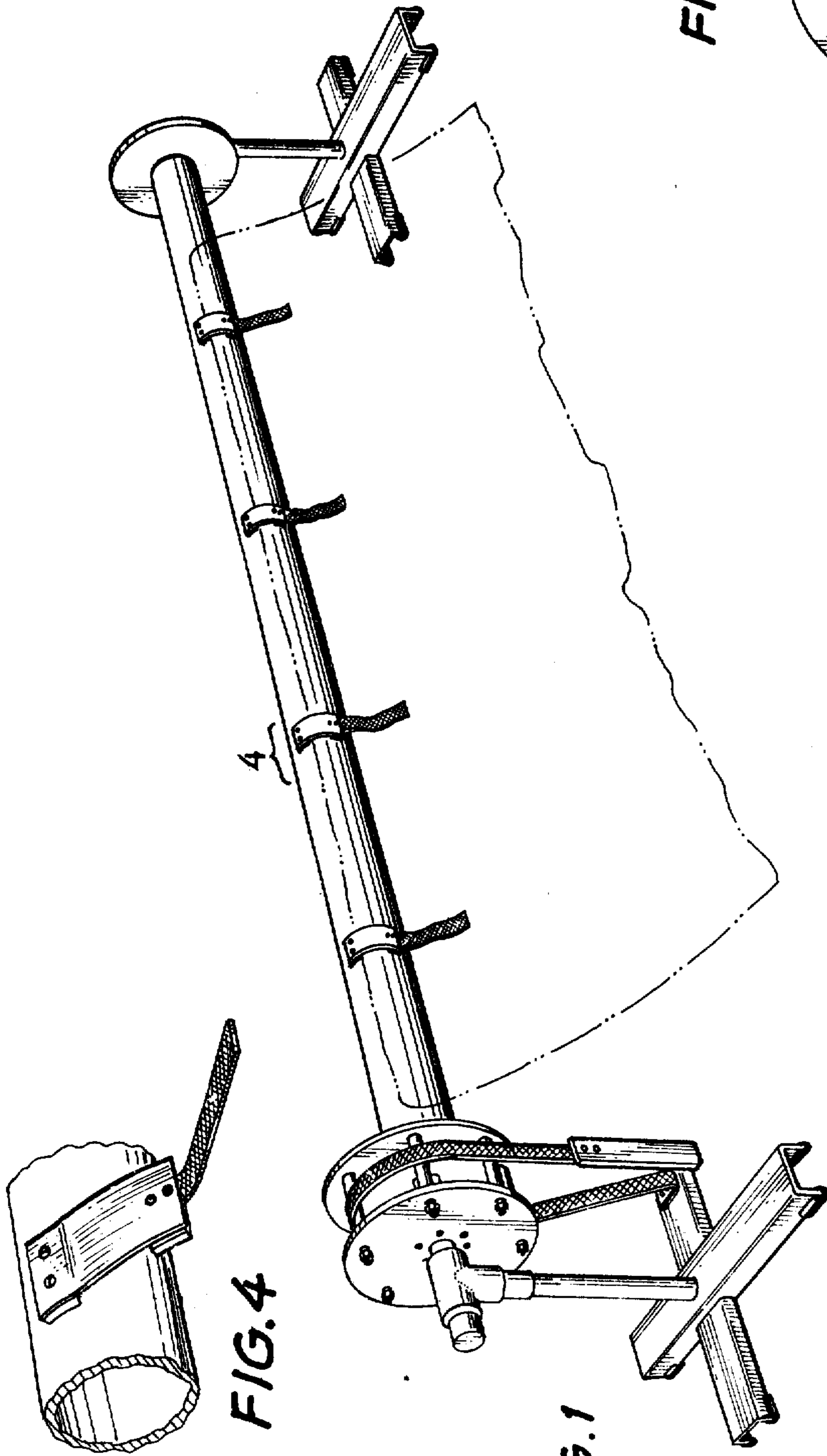


FIG. 3

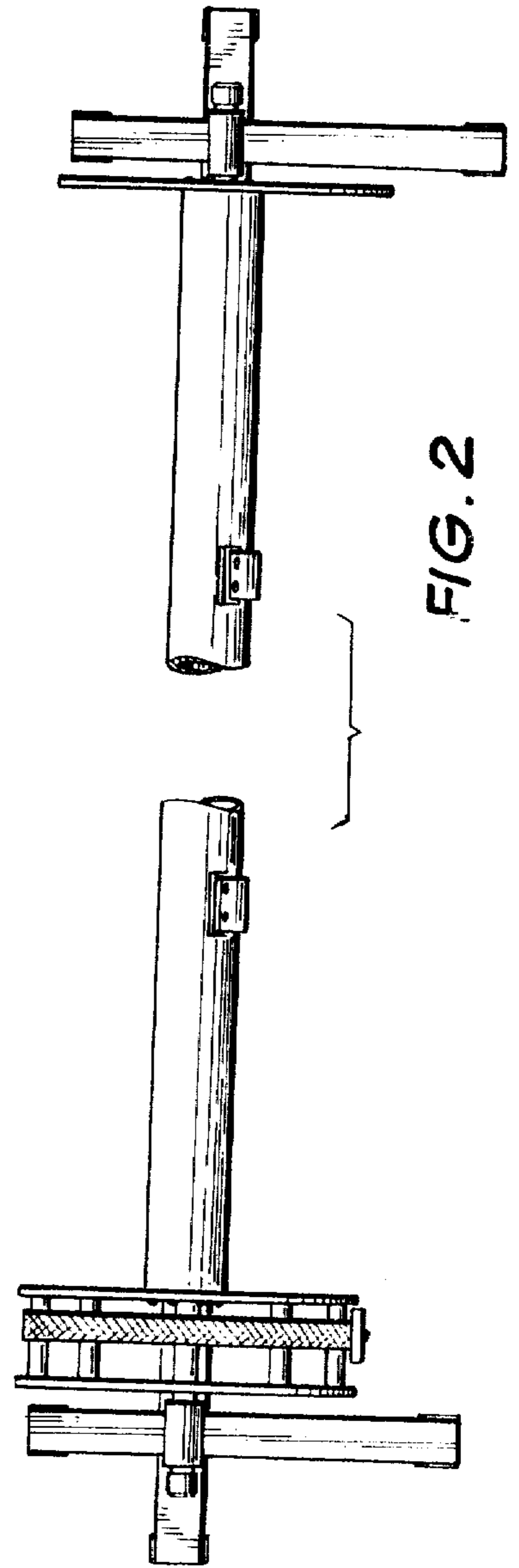
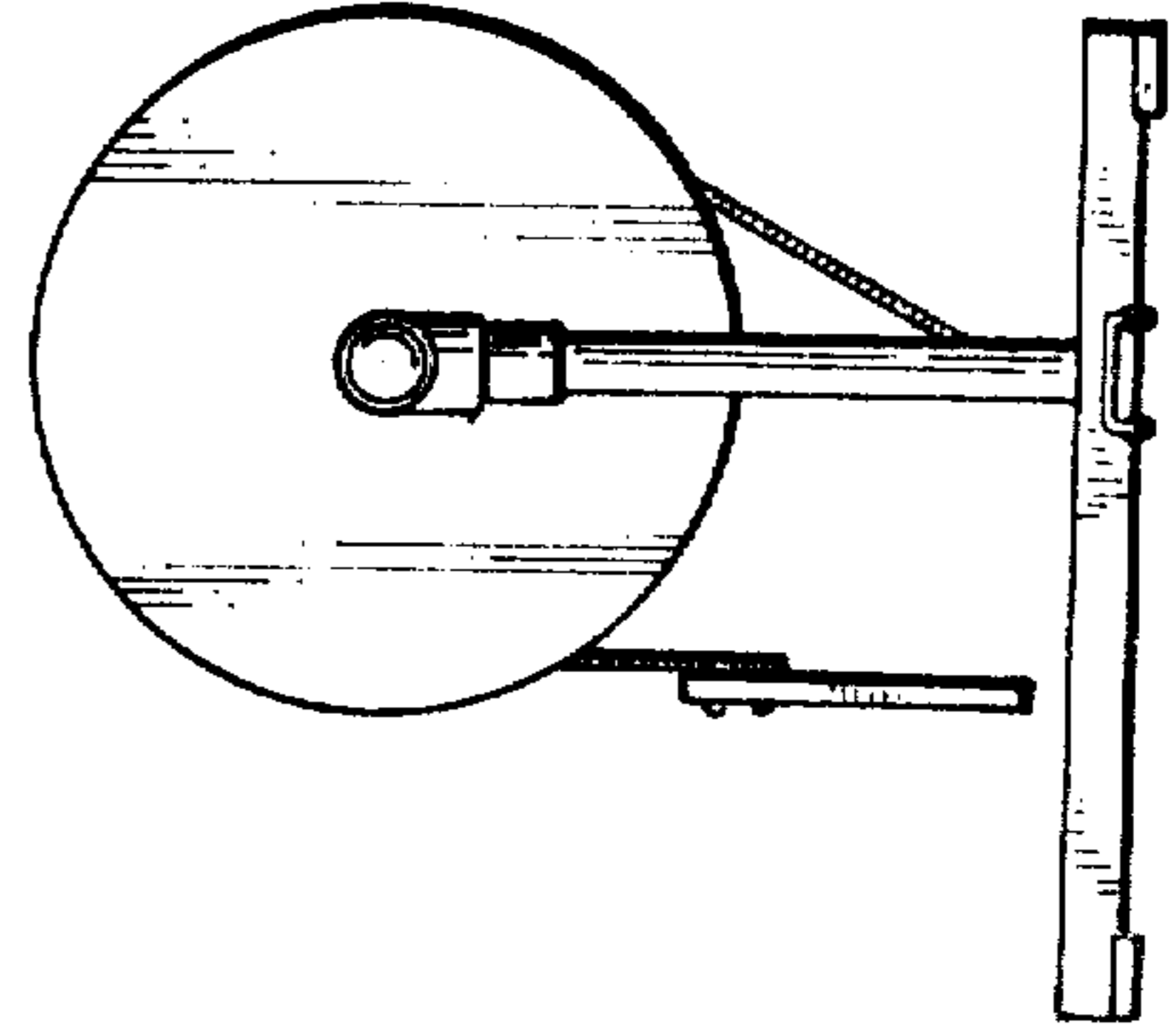


FIG. 1