

[54] VACUUM CLEANER

[75] Inventor: Niklaus Hug, Romanshorn,
Switzerland

[73] Assignee: Rommag P. Wörwag & Co.,
Romanshorn, Switzerland

[**] Term: 14 Years

[21] Appl. No.: 974,530

[22] Filed: Dec. 29, 1978

[30] Foreign Application Priority Data
Jul. 1, 1978 [DE] Fed. Rep. of Germany 636

[51] Int. Cl. D15-05
[52] U.S. Cl. D32/21
[58] Field of Search D15/52, 53, 54, 55;
15/323, 324, 325, 327, 412

[56] References Cited
U.S. PATENT DOCUMENTS
3,199,137 8/1965 Segesman 15/323
3,619,850 11/1971 Rideout et al. 15/323

Primary Examiner—Catherine E. Kemper
Attorney, Agent, or Firm—Becker & Becker, Inc.

[57] CLAIM

The ornamental design for a vacuum cleaner, as shown and described.

DESCRIPTION

FIG. 1 is a top perspective view of a vacuum cleaner, showing my new design, shown with the storage compartment cover removed;
FIG. 2 is a perspective view of the vacuum cleaner with the storage compartment cover in place and with a hose attached;
FIG. 3 is a perspective view of the vacuum cleaner as it appears when ready for storage;
FIG. 4 is a rear perspective view thereof;
FIG. 5 is a bottom plan view thereof.
The conventional vacuum hose is shown fragmentarily in FIG. 2 for ease of illustration.

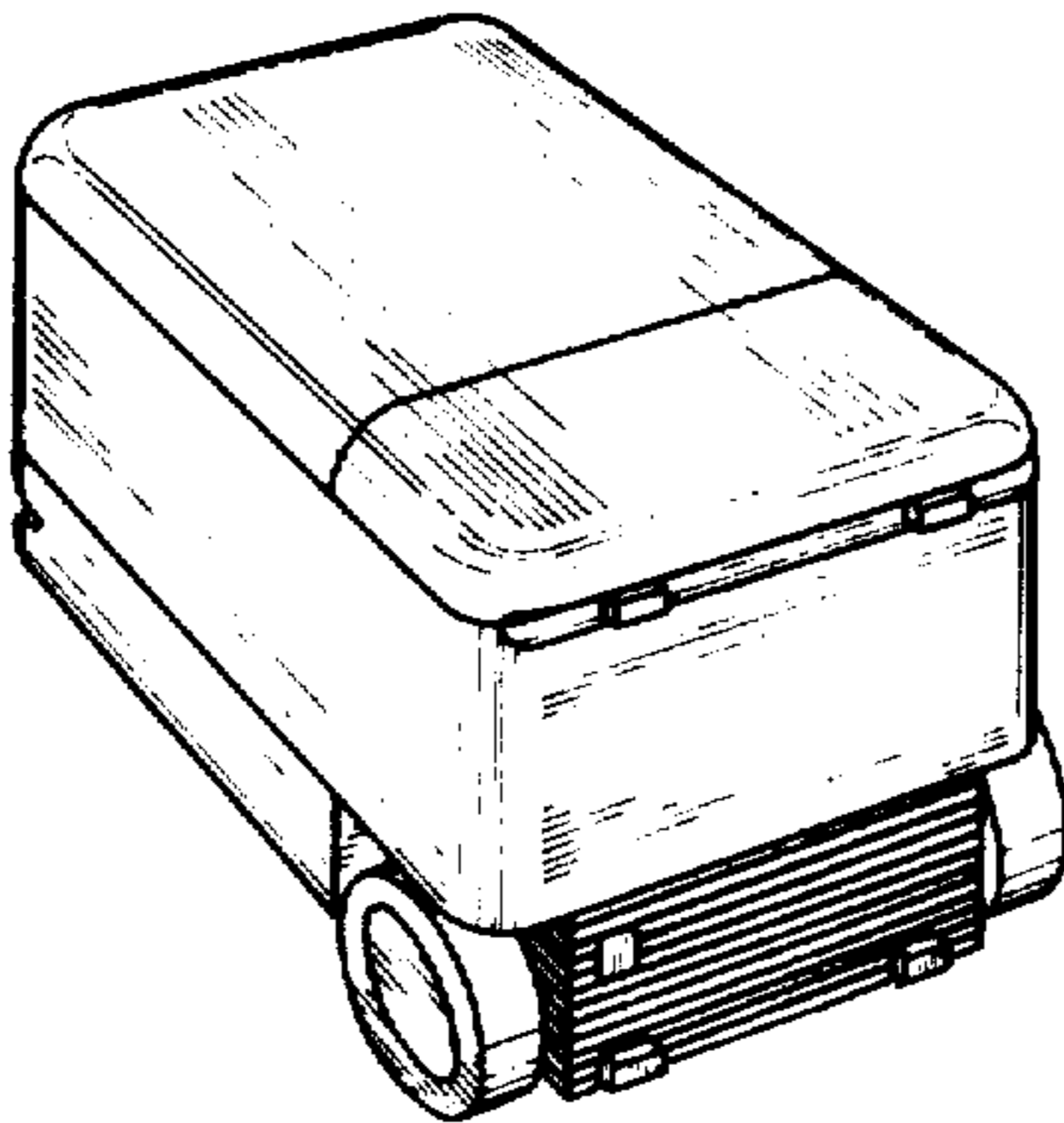
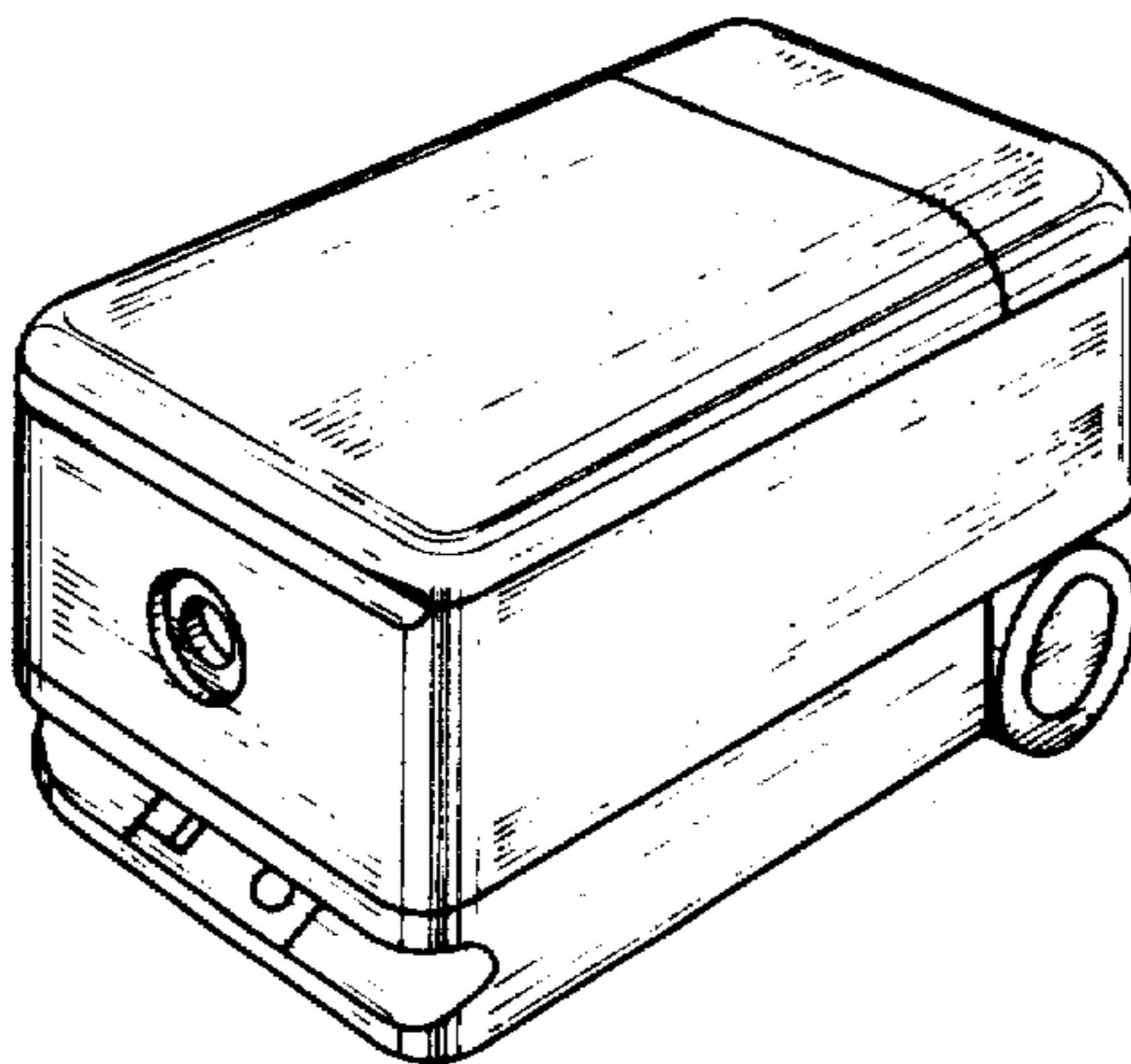


Fig. 1

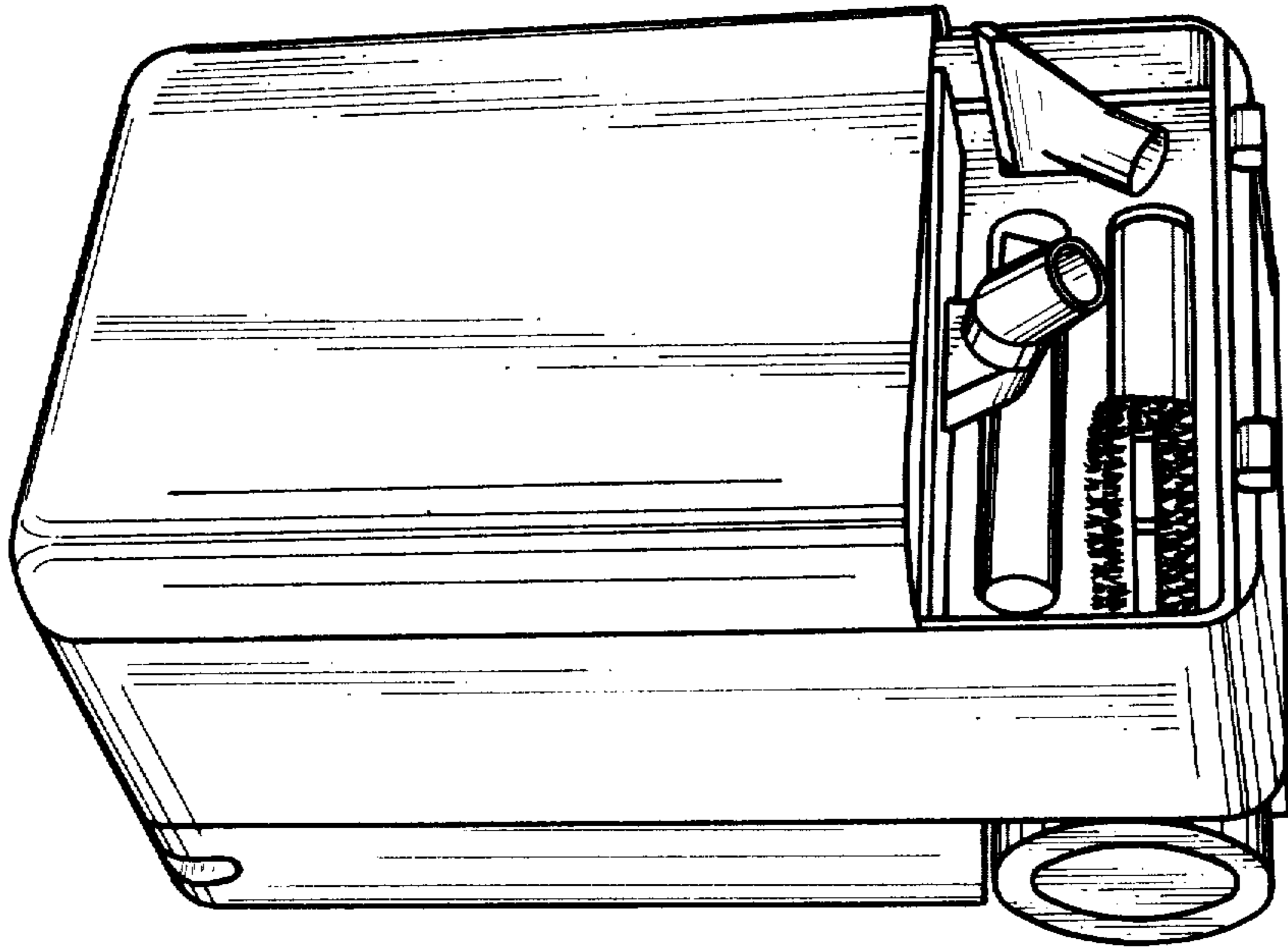


Fig. 2

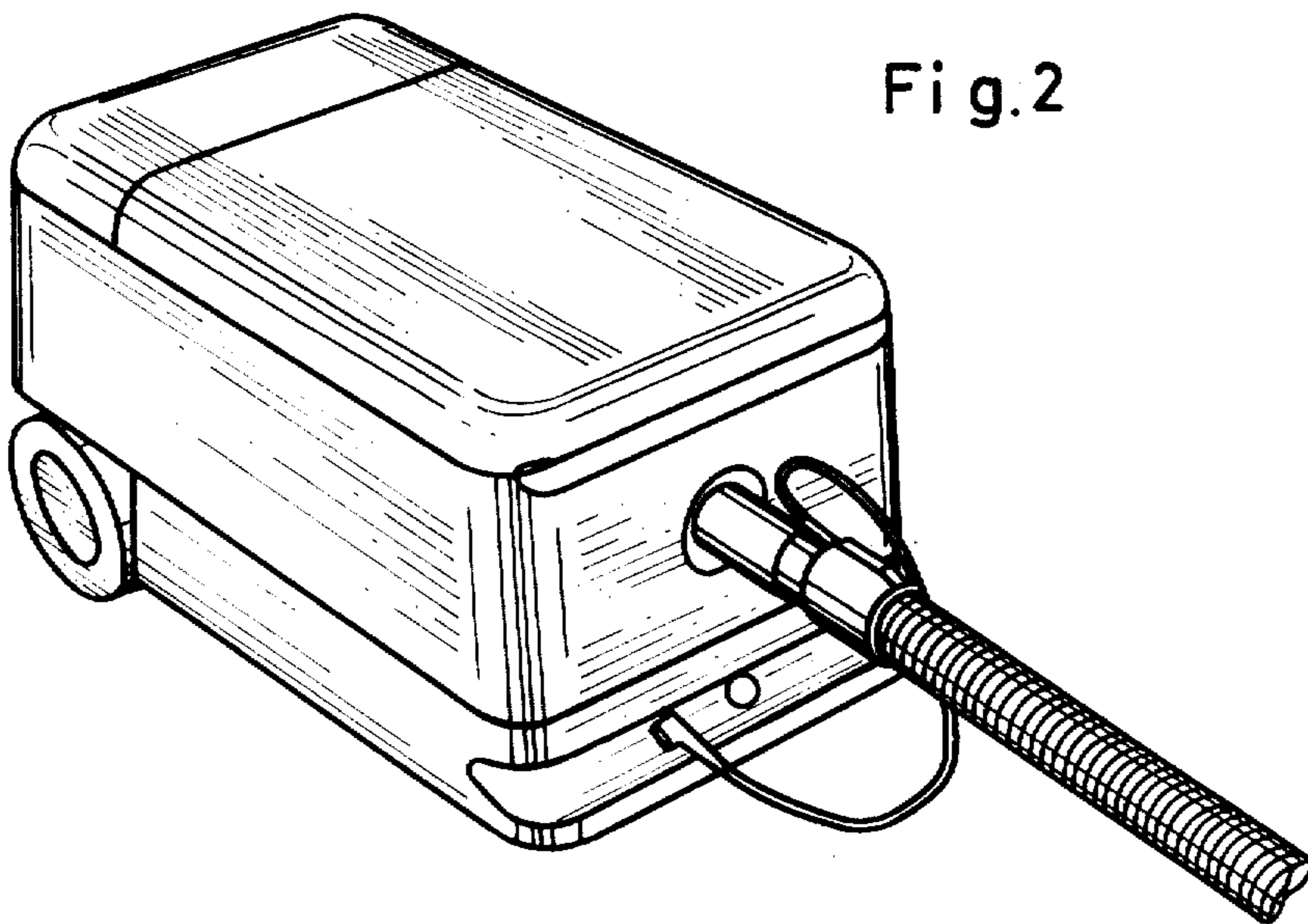


Fig. 3

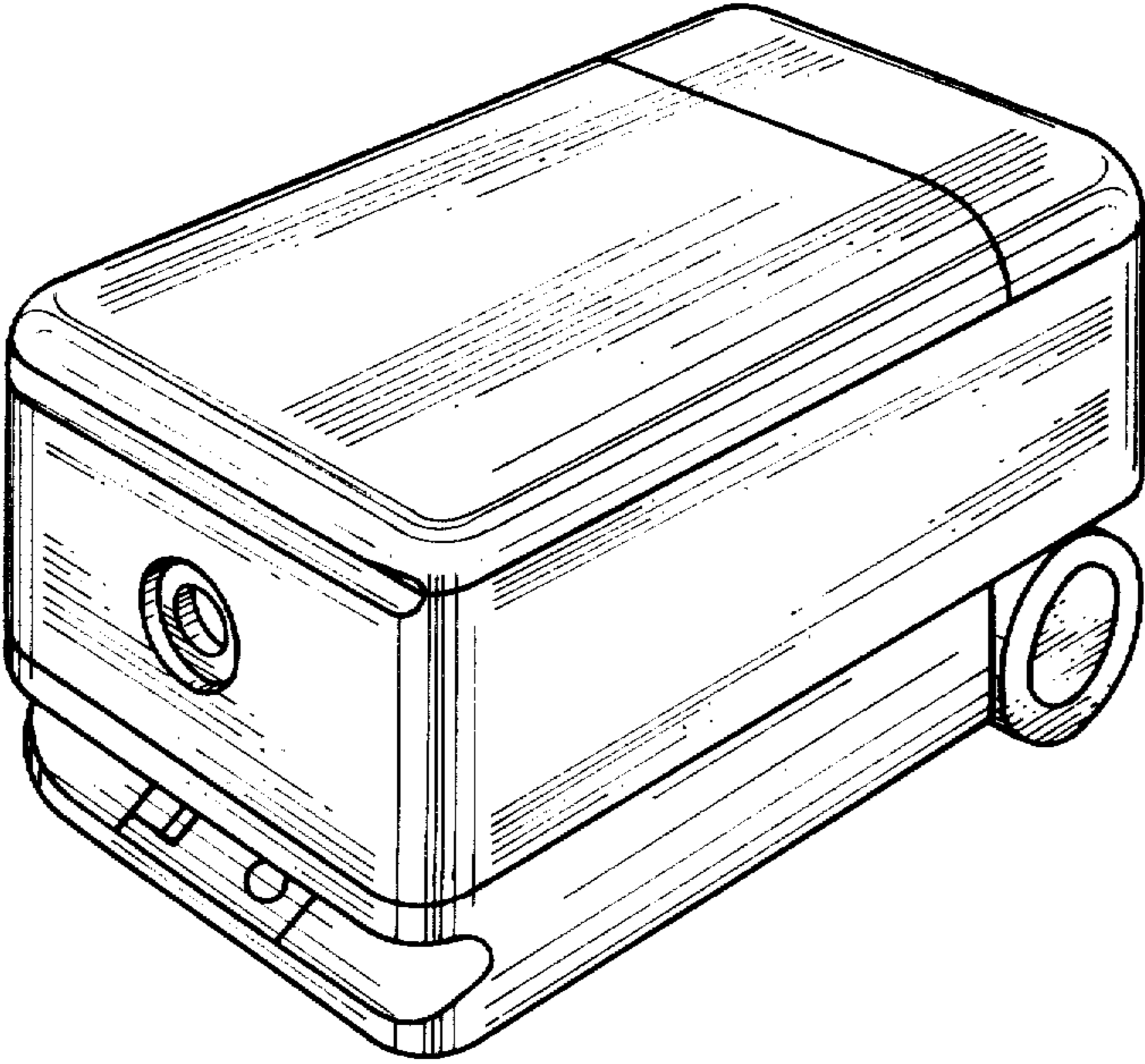


Fig. 4

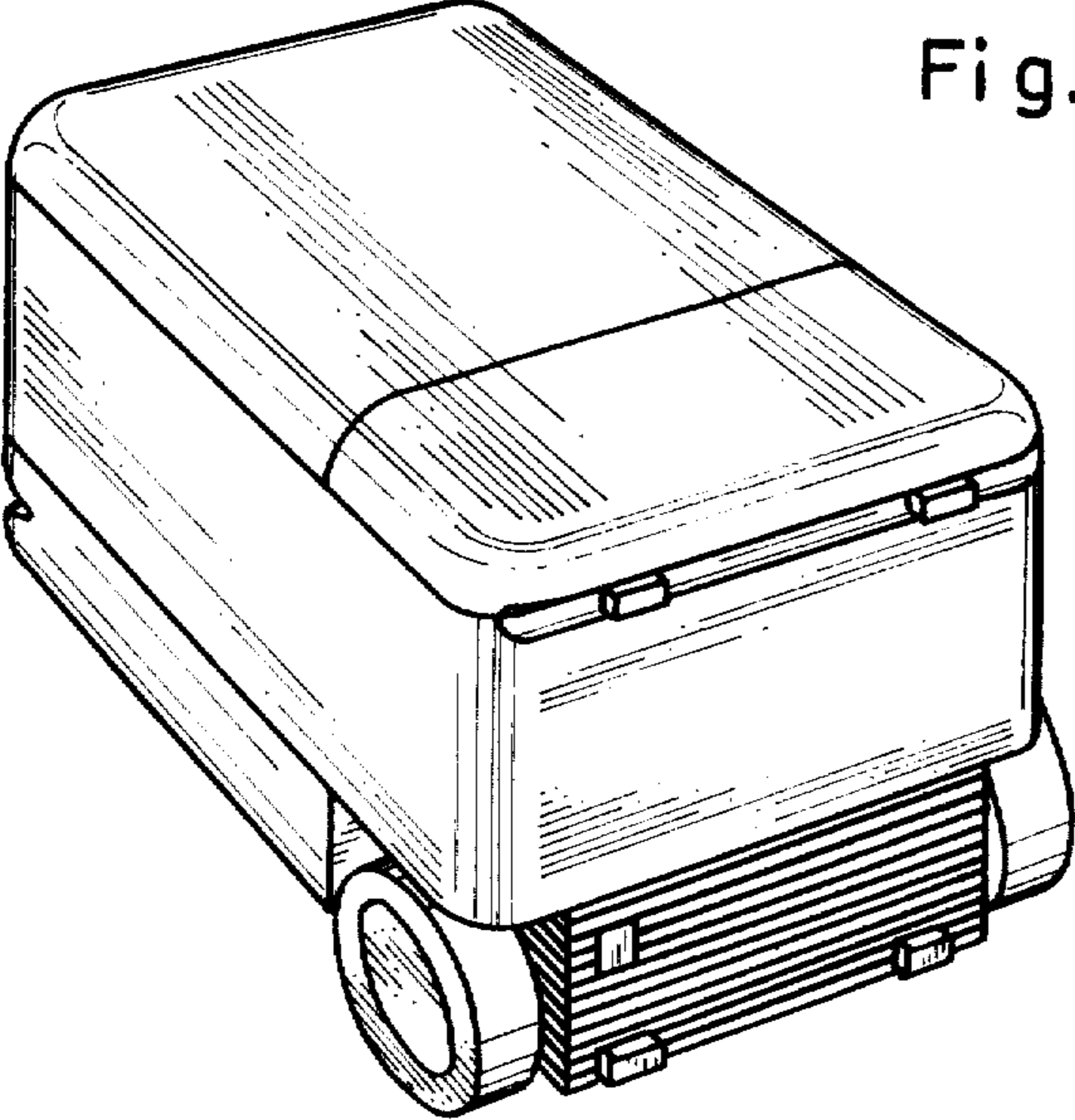


Fig.5

