

[54] CASING FOR A MICROPHONOGRAPH

[75] Inventors: **Bruce P. Carey**, Saugus; **Lloyd Y. Ishimaru**, Agoura; **Moto Shimano**, Los Angeles, all of Calif.

[73] Assignee: **Microsonics Corporation**, Los Angeles, Calif.

[**] Term: **14 Years**

[21] Appl. No.: **823,542**

[22] Filed: **Aug. 10, 1977**

[51] Int. Cl. **D14-01**

[52] U.S. Cl. **D14/14**

[58] Field of Search **D14/1, 14, 25, 40, 52, D14/10, 68, 70-72, 74-76, 95, 99, 17, 20; 274/9 R, 9 B, 9 C; 312/8**

[56]

References Cited

U.S. PATENT DOCUMENTS

D. 203,186	12/1965	Kamp	D14/52
D. 203,494	1/1966	Dietrich	D14/10
D. 208,164	7/1967	Winton	D14/75
D. 232,226	7/1974	Bee et al.	D14/52
3,674,277	7/1972	Kelly et al.	274/9 R X

Primary Examiner—Jane E. Corrigan
Attorney, Agent, or Firm—Lewis Anten

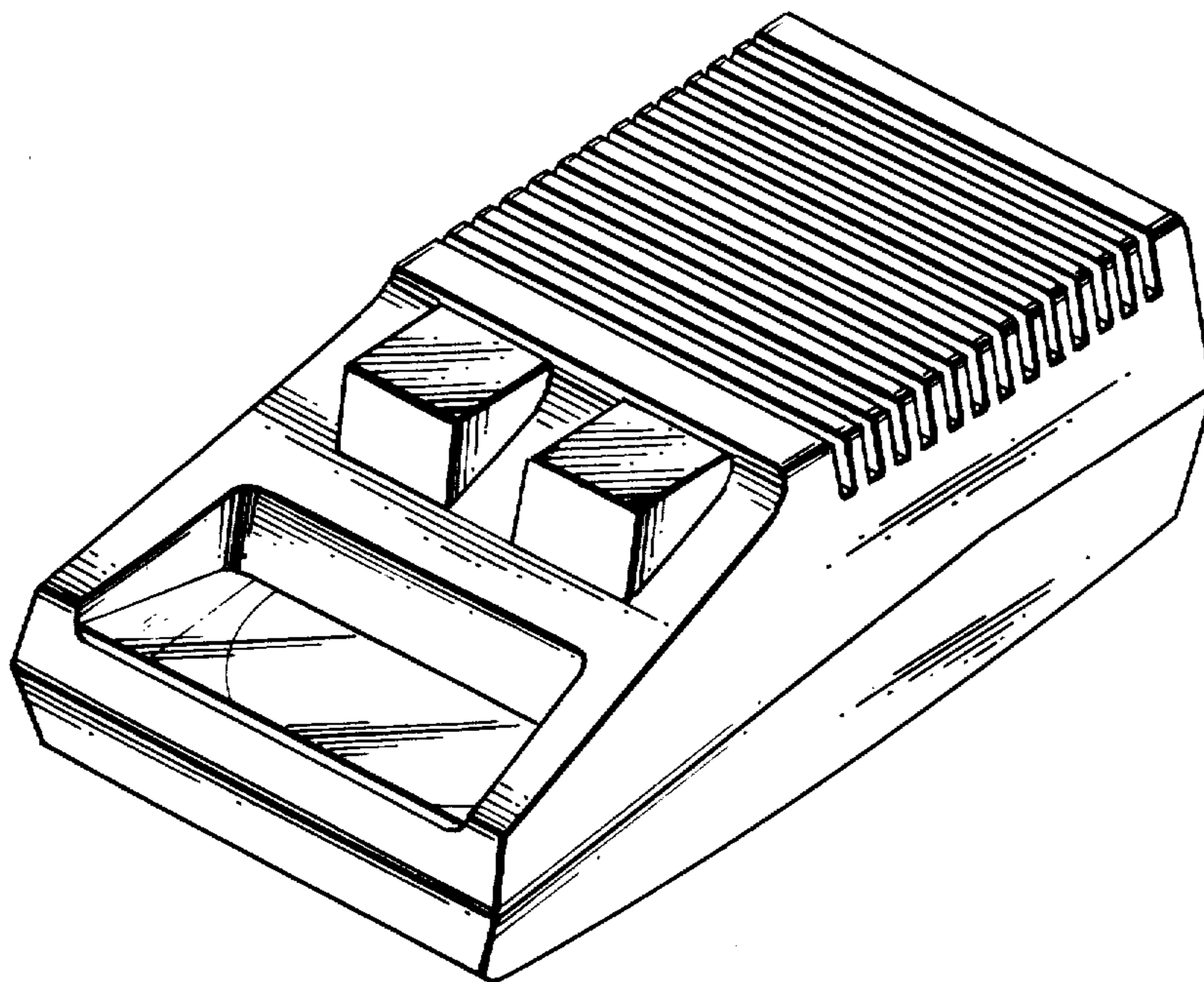
[57]

CLAIM

The ornamental design for the casing for a microphono- graph, as shown.

DESCRIPTION

FIG. 1 is a left side elevational view of a casing for a microphono- graph showing our new design; FIG. 2 is a top plan view; FIG. 3 is a bottom plan view; FIG. 4 is a front elevational view; FIG. 5 is a rear elevational view; FIG. 6 is a front, top and right side perspective view; and FIG. 7 is a rear, bottom and left side perspective view.



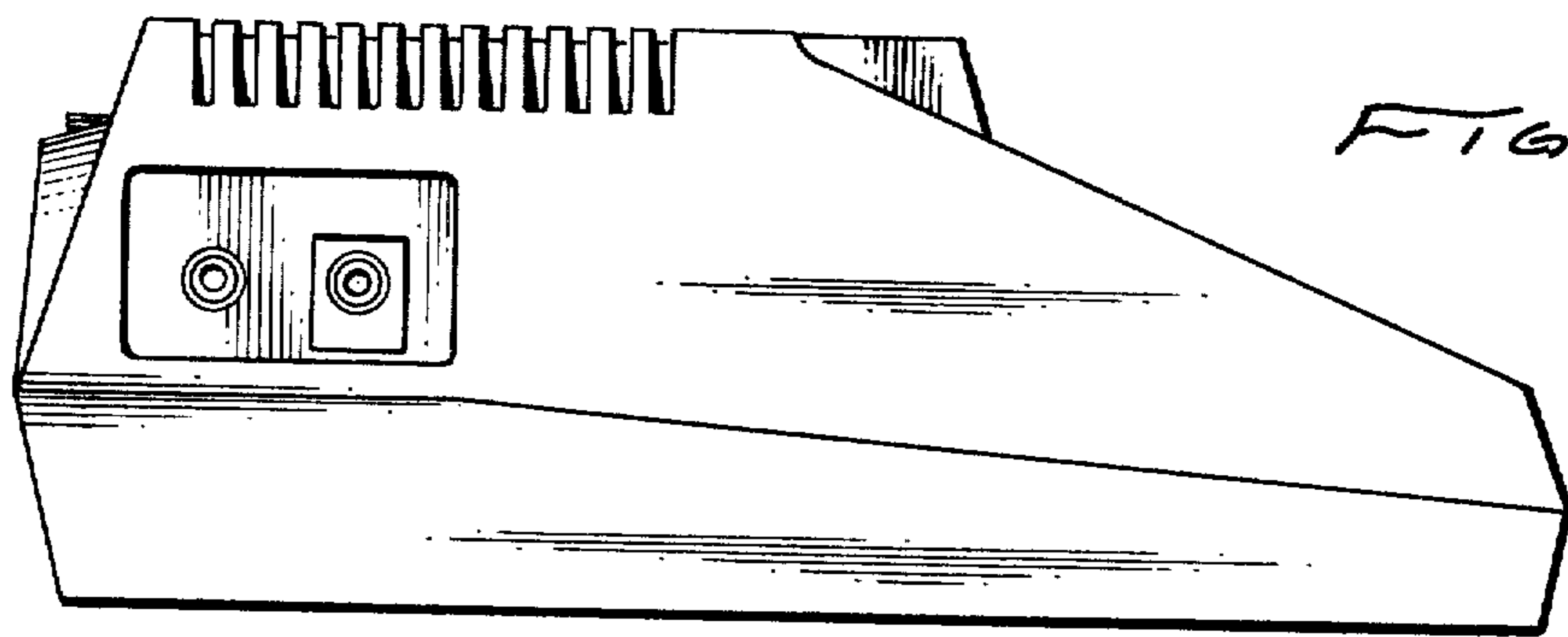


FIG. 1

FIG. 2

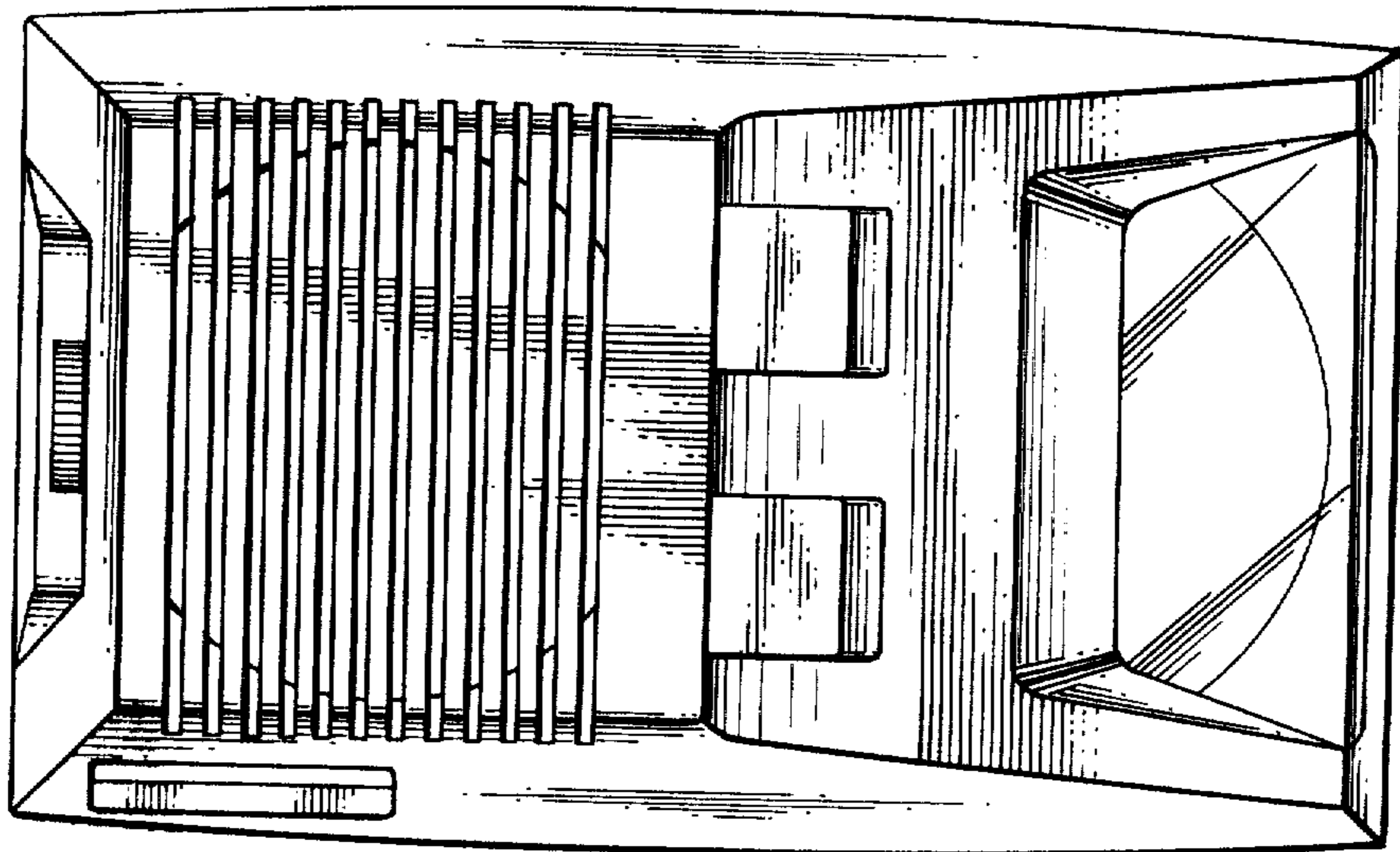
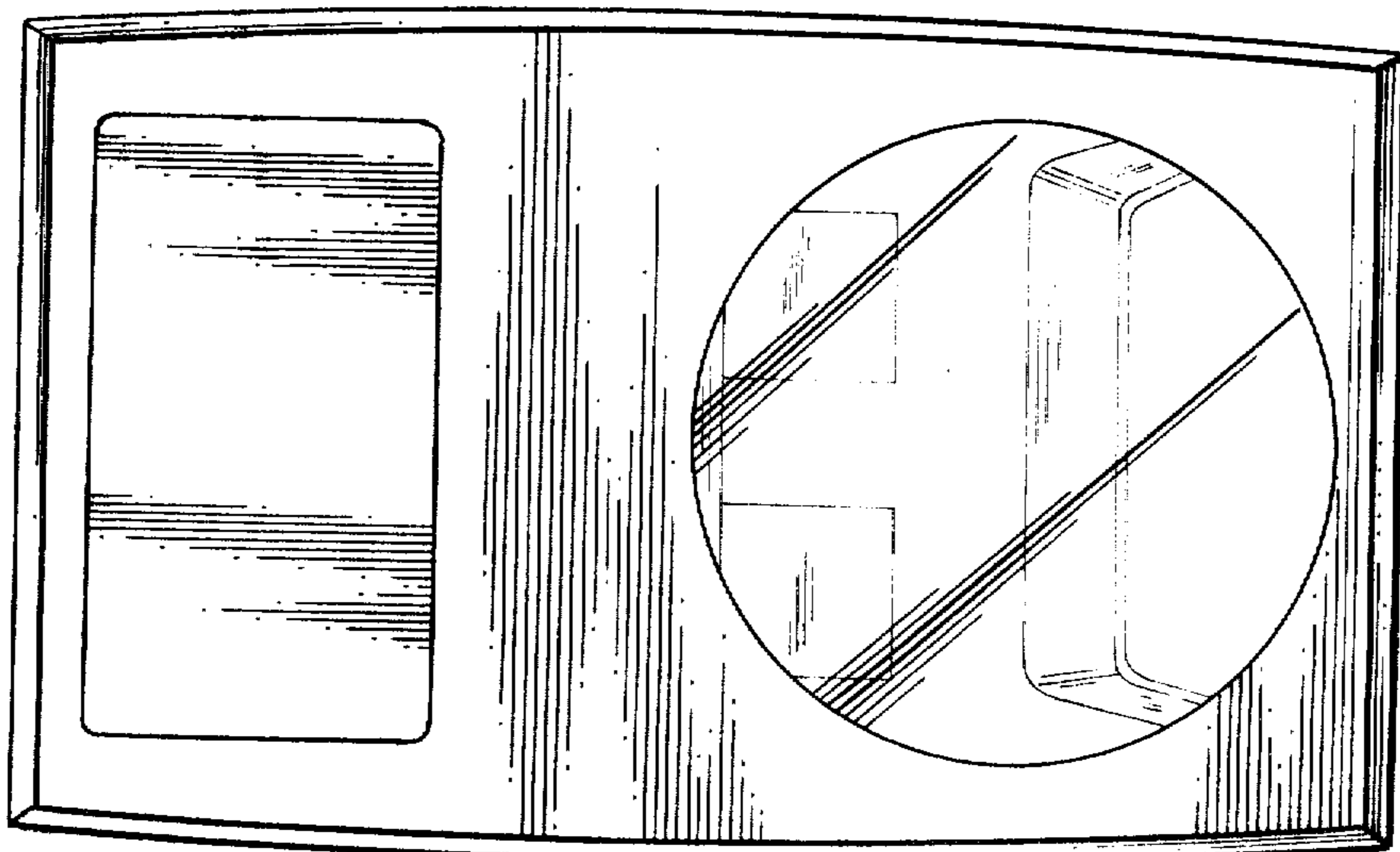


FIG. 3



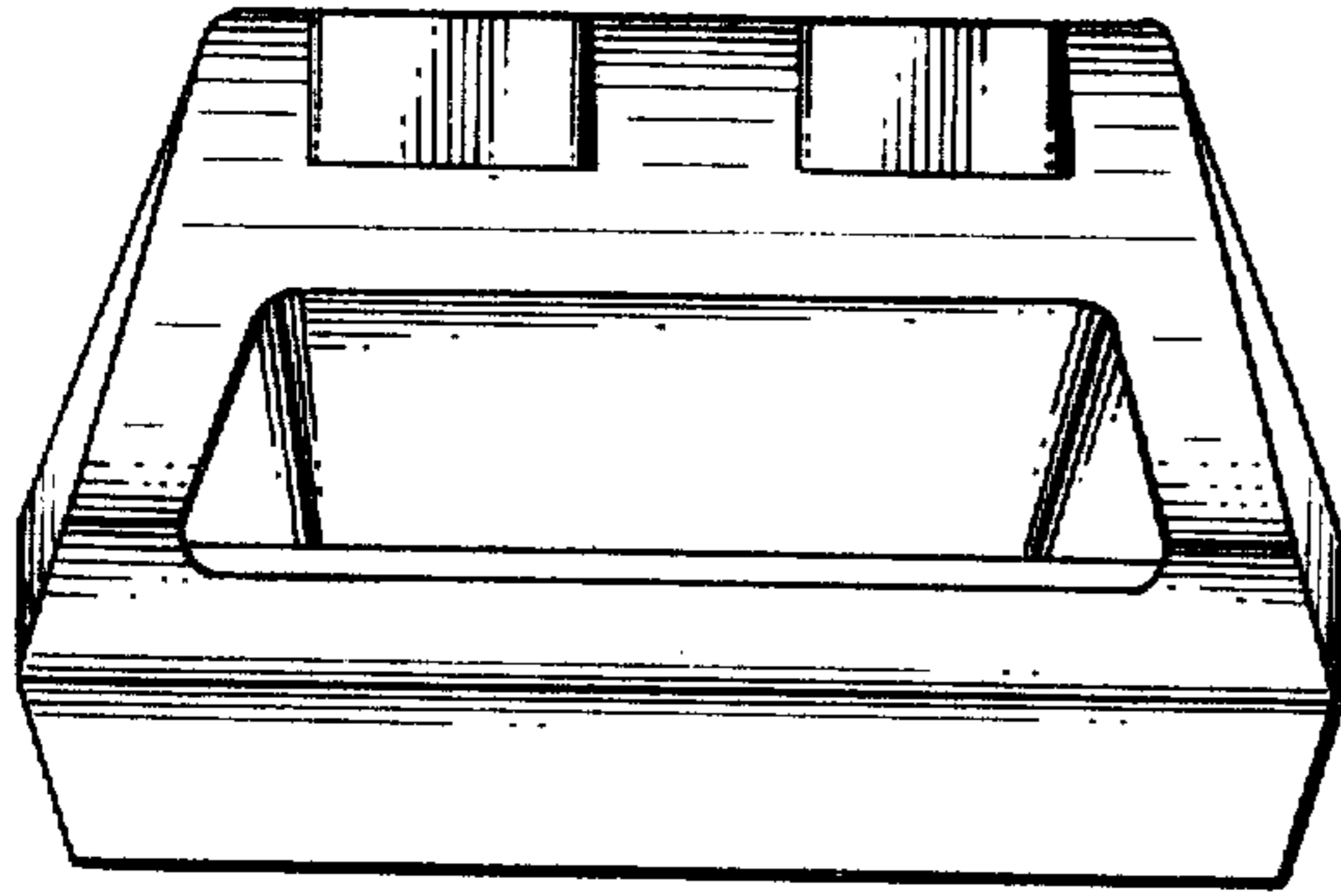


FIG. 4

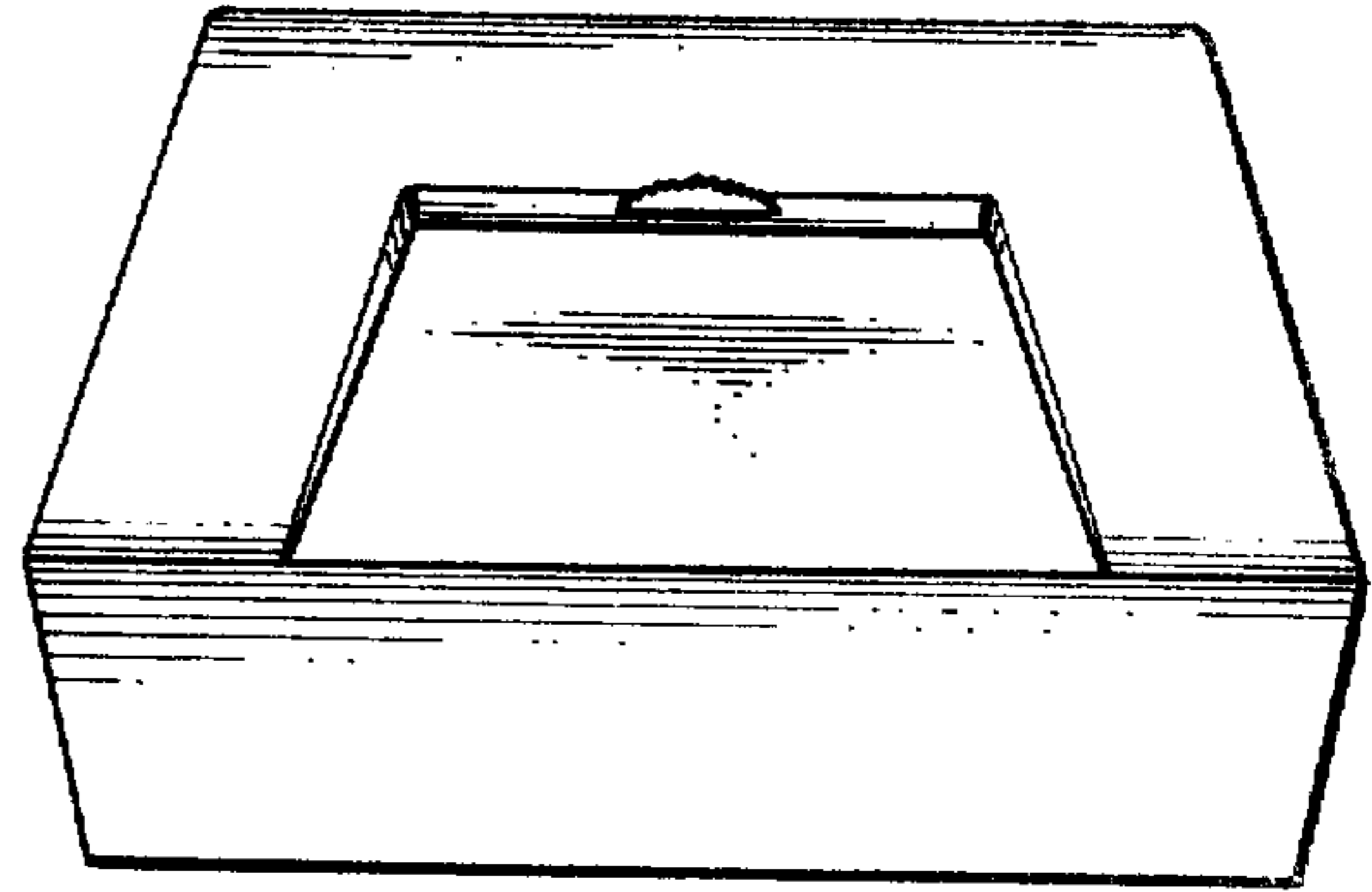


FIG. 5

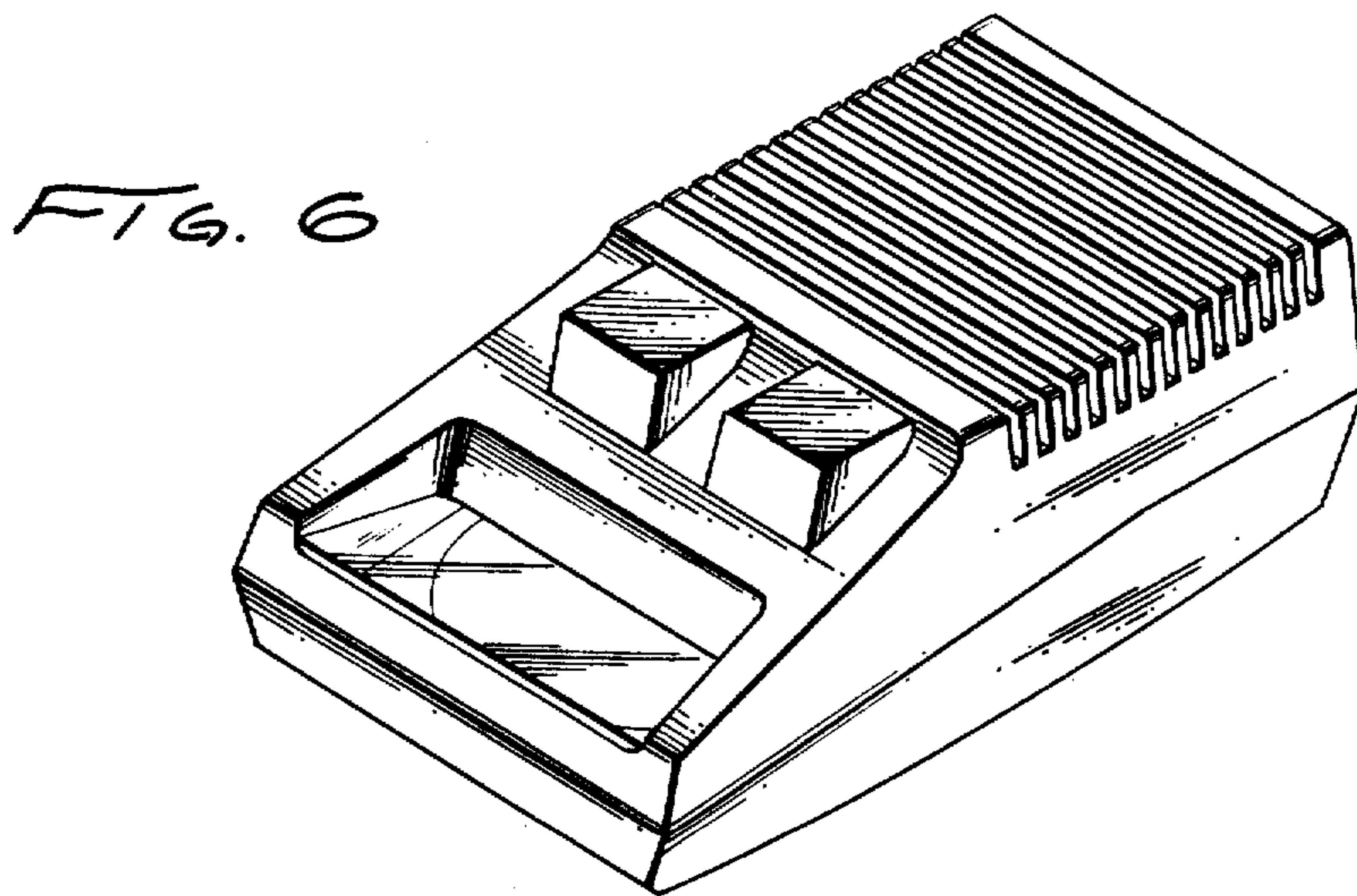


FIG. 6

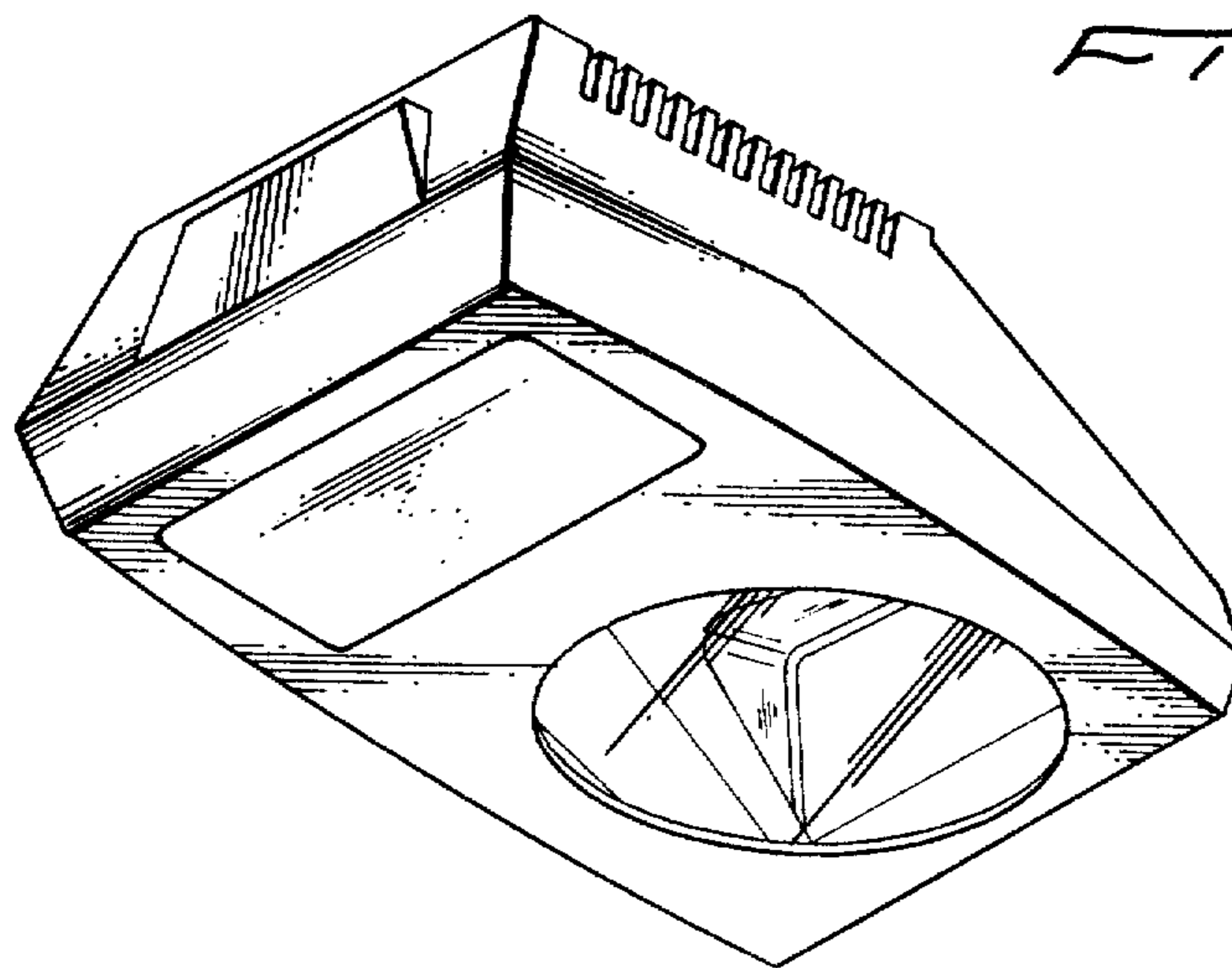


FIG. 7