

[54] VIDEO TAPE RECORDER DECK

[75] Inventors: Koya Kurokawa; Noriyuki Arai; Hideo Takahashi; Taisuke Saeki, all of Saijyo, Japan

[73] Assignee: Matsushita Electric Industrial Co., Ltd., Kadoma, Japan

[**] Term: 14 Years

[21] Appl. No.: 18,392

[22] Filed: Mar. 7, 1979

[30] Foreign Application Priority Data

Sep. 7, 1978 [JP] Japan 53/38172

[51] Int. Cl. D14-01

[52] U.S. Cl. D14/2; D14/6

[58] Field of Search 360/33, 34, 35, 36, 360/37, 38, 79; D14/1, 2, 6

[56]

References Cited

U.S. PATENT DOCUMENTS

D. 250,471	12/1978	Nishigaki	D14/2
D. 251,294	3/1979	Horikoshi et al.	D14/2
D. 251,424	3/1979	Nagata	D14/1 X
3,493,676	2/1970	Guerin	360/33

Primary Examiner—Bernard Ansher
Attorney, Agent, or Firm—Sughrue, Mion, Zinn, Macpeak and Seas

[57]

CLAIM

The ornamental design for a video tape recorder deck, as shown.

DESCRIPTION

FIG. 1 is a front, top and right side perspective view of a video tape recorder deck showing our new design; FIG. 2 is a rear, bottom and left side perspective view thereof; and FIG. 3 is a front elevational view thereof.

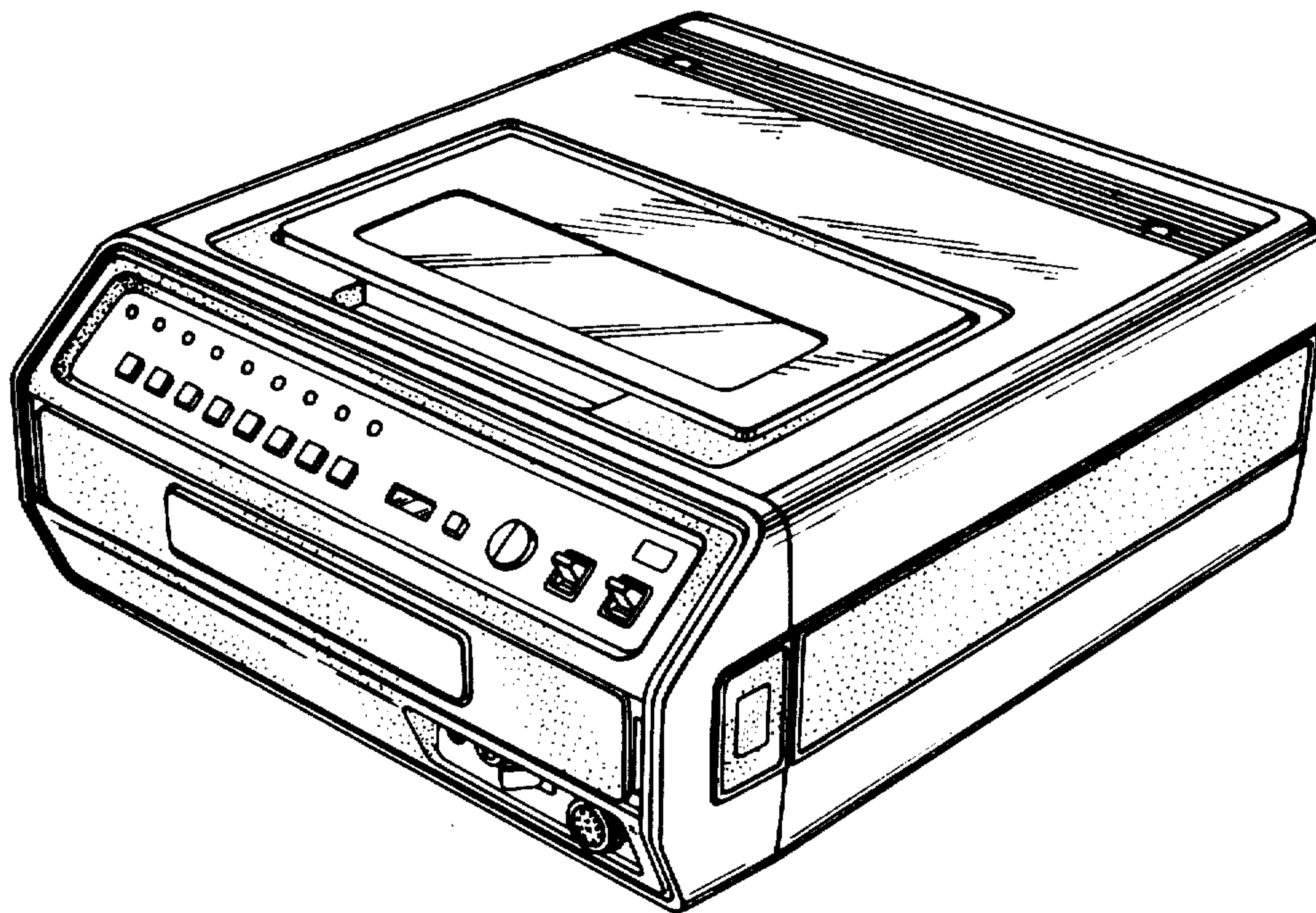


FIG. 1

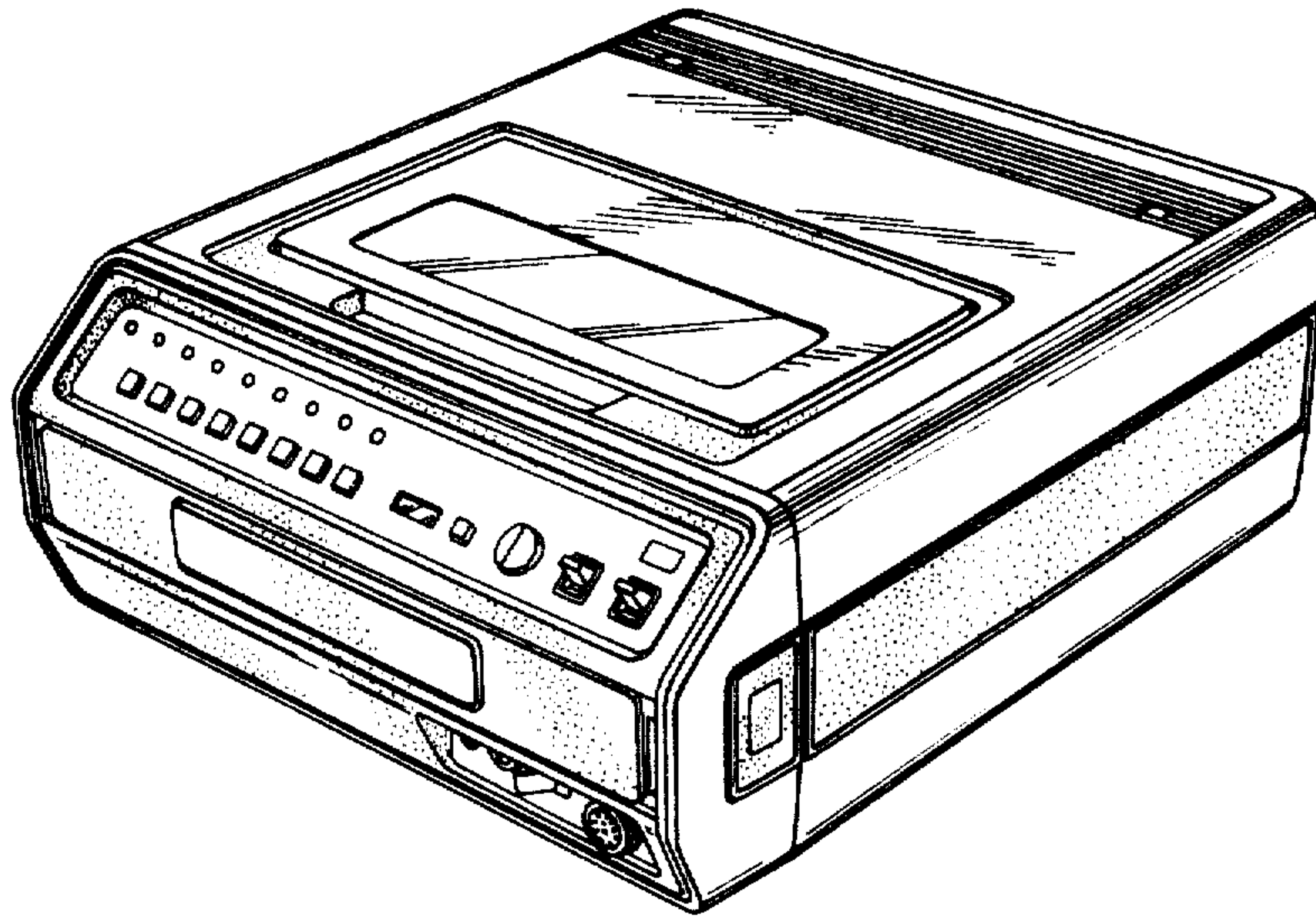


FIG. 2

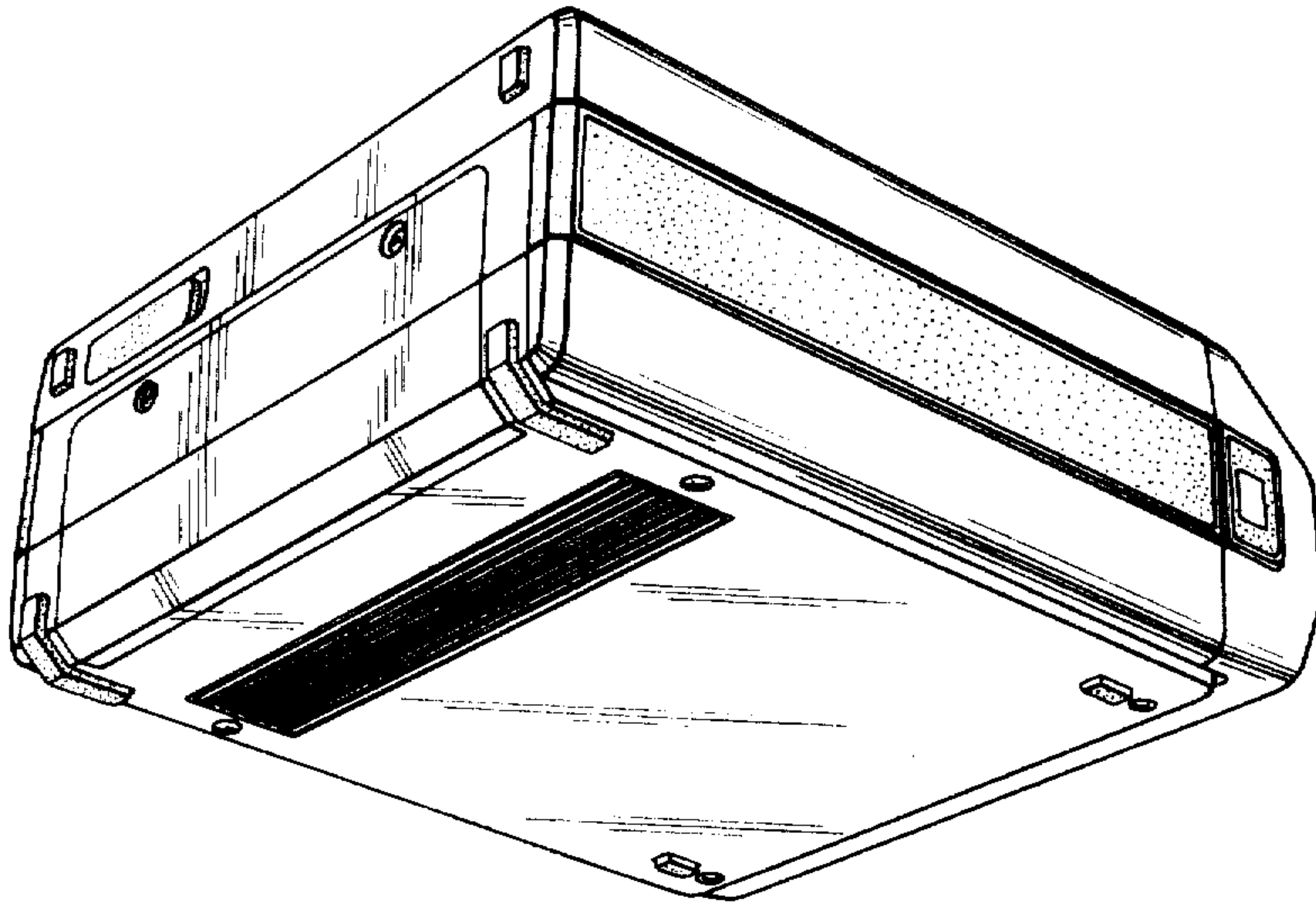


FIG. 3

