

[54] FUSE HOLDER

[75] Inventor: John C. Linton, Potomac, Md.

[73] Assignee: FIC Corporation, Rockville, Md.

[**] Term: 14 Years

[21] Appl. No.: 42,075

[22] Filed: May 24, 1979

[51] Int. Cl. D13-03

[52] U.S. Cl. D13/35

[58] Field of Search D13/35, 99; 337/228; 339/128, 147

[56] References Cited

U.S. PATENT DOCUMENTS

- 3,285,548 11/1966 Matto et al. 339/128
- 3,354,302 11/1967 Greasley 339/128

OTHER PUBLICATIONS

Sato Catalogue 1965-No. 1, p. 8, upper right hand corner, No. 3750.

Primary Examiner—Peter M. Caun
Attorney, Agent, or Firm—Ulle C. Linton

[57] CLAIM

The ornamental design for a fuse holder, as shown.

DESCRIPTION

FIG. 1 is a perspective view of the fuse holder, forming my new design,

FIG. 2 is a top view of the fuse holder with lettering for illustrative purposes only,

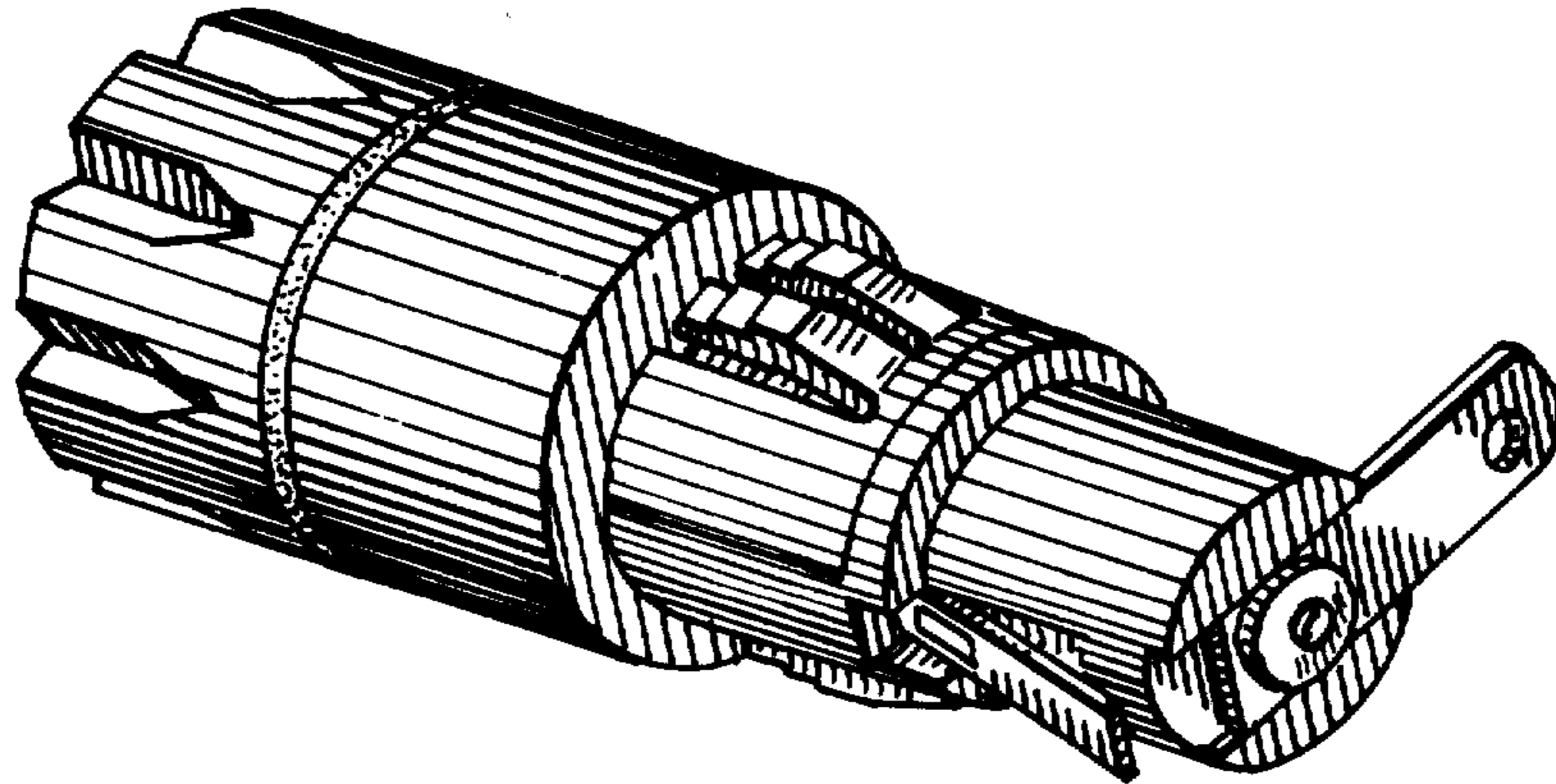
FIG. 3 is a side view of the fuse holder,

FIG. 4 is a further side elevation of the fuse holder taken to the left of FIG. 3 normal thereto and the opposite side of the fuse holder to FIG. 4 is a mirror view of FIG. 4,

FIG. 5 is a bottom view of the fuse holder,

FIG. 6 is a perspective view of a clip shown separately for clarity of illustration only and forming part of the fuse holder, and,

FIG. 7 is a further side elevation of the fuse holder taken to the left of FIG. 4.



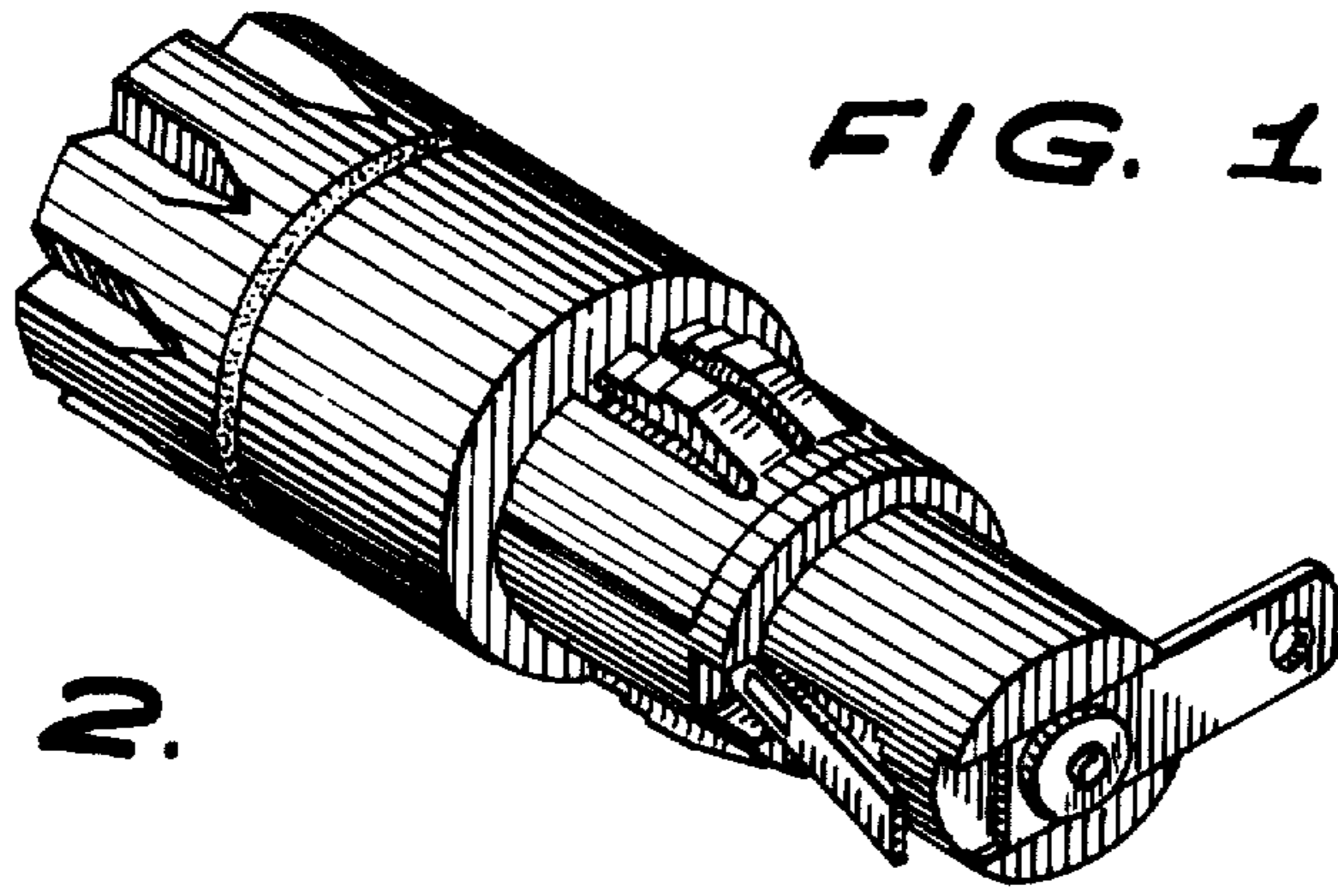


FIG. 1. FIG. 7.

FIG. 2.

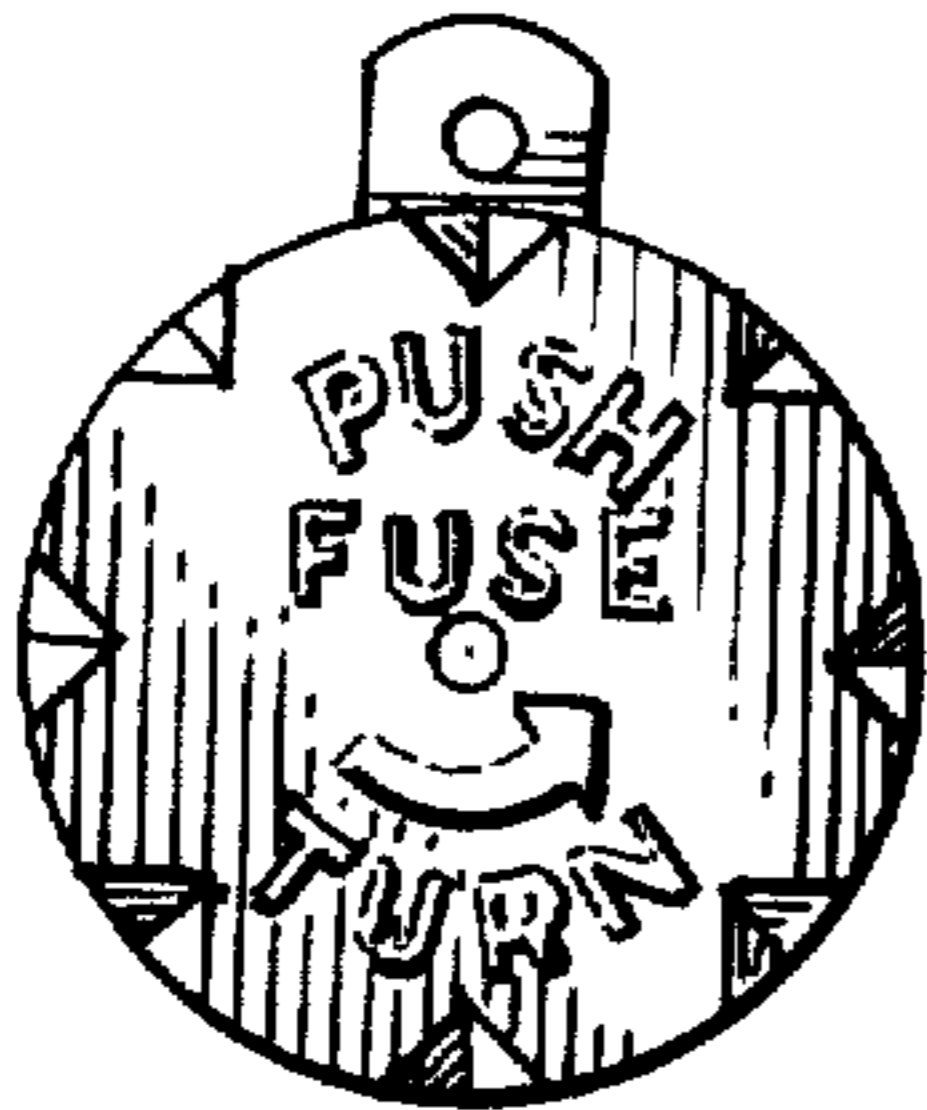


FIG. 3.

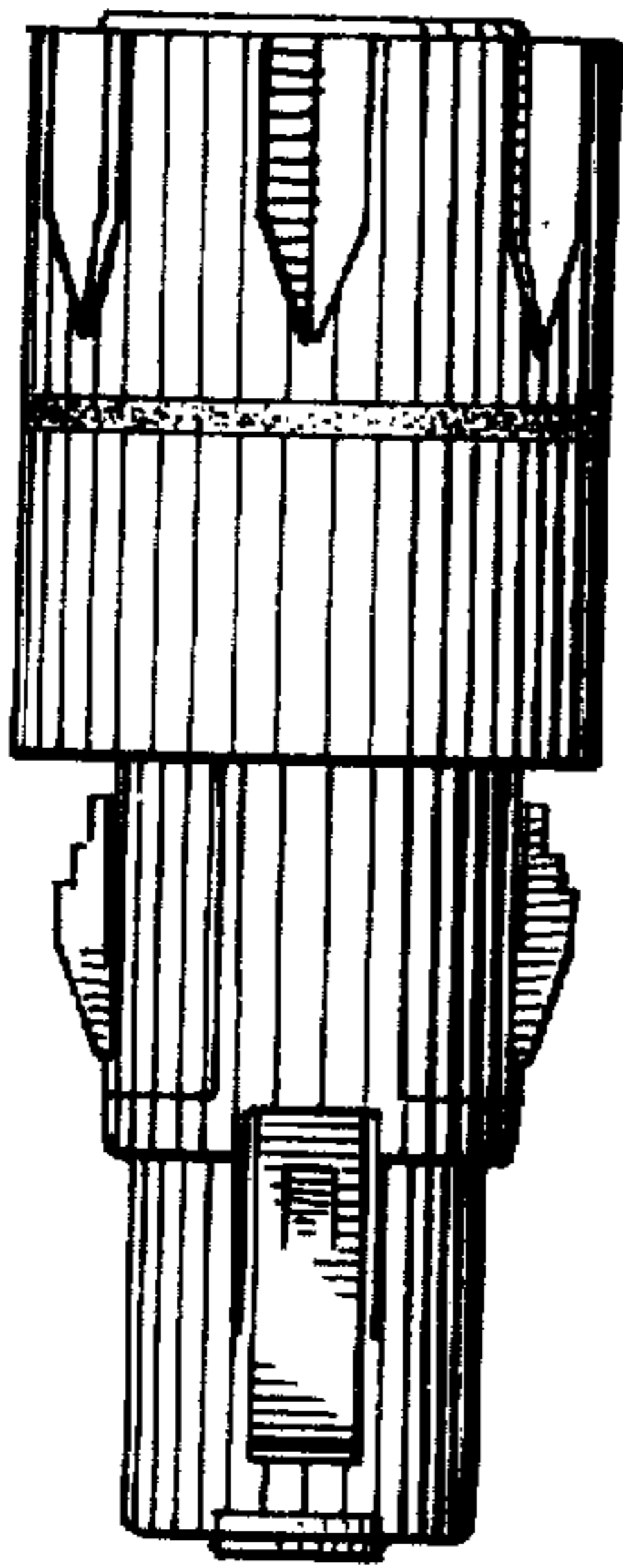


FIG. 6.

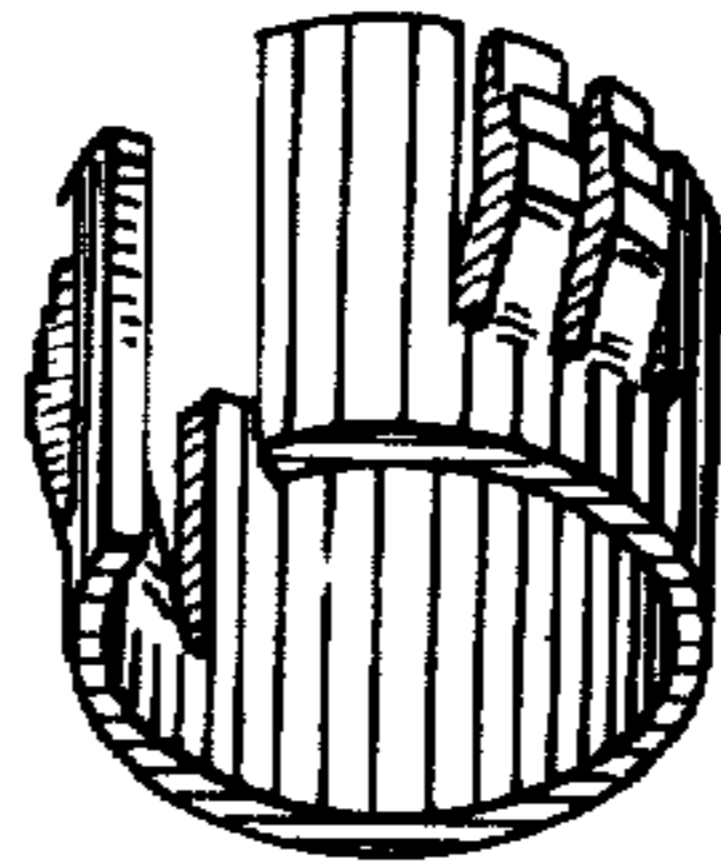


FIG. 4.

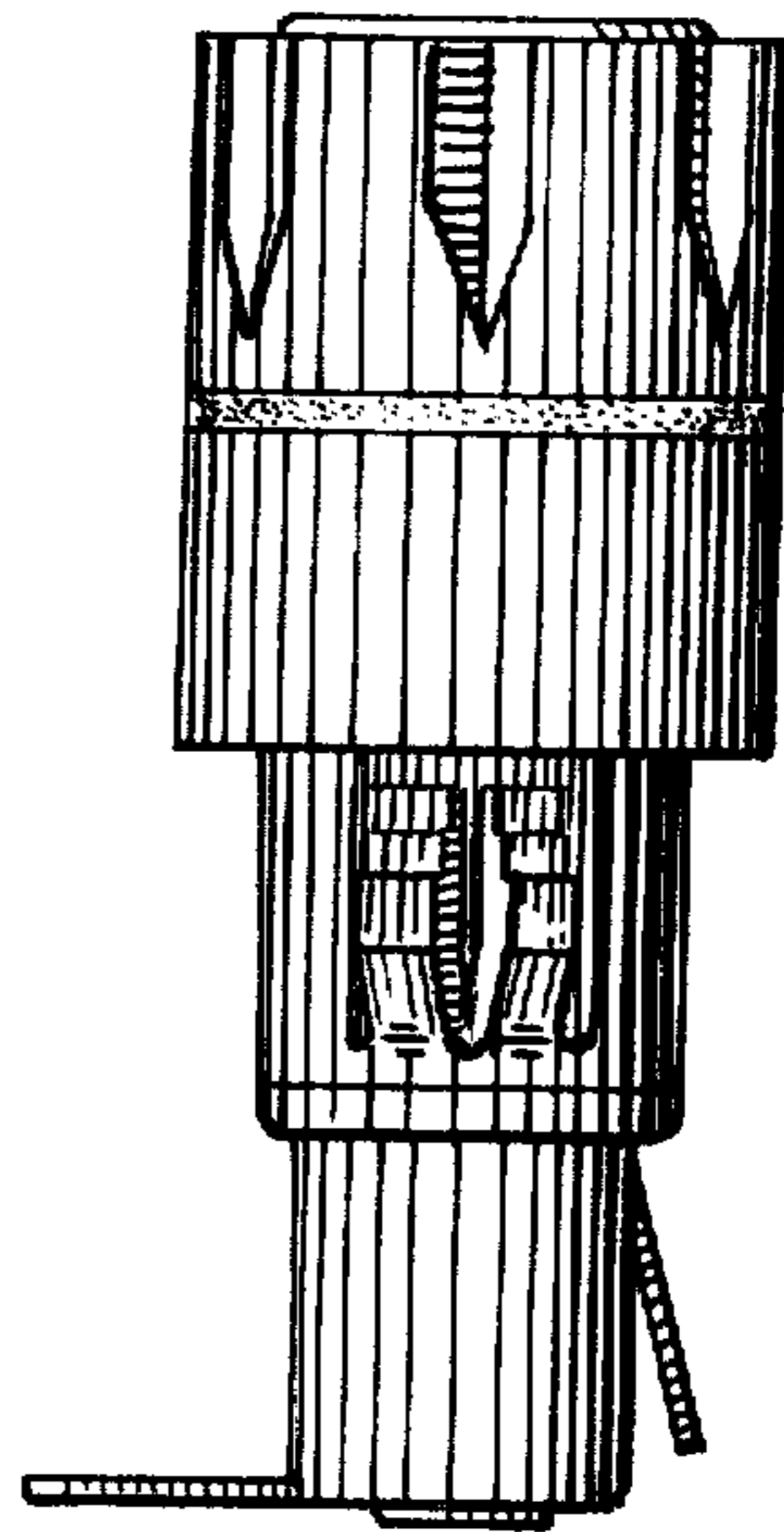


FIG. 5.

