

[54] VEHICLE TIRE

[75] Inventors: Naoki Yamazaki, Kodaira; Hiroshi Kojima, Hino; Hideaki Nishio, Kunitachi, all of Japan

[73] Assignee: Bridgestone Tire Co., Ltd., Tokyo, Japan

[**] Term: 14 Years

[21] Appl. No.: 971,127

[22] Filed: Dec. 19, 1978

[30] Foreign Application Priority Data

Oct. 28, 1978 [JP] Japan 53-45612

[51] Int. Cl. D12-15

[52] U.S. Cl. D12/148

[58] Field of Search D12/141-143, D12/146-151; 152/209 R, 209 A, 209 B, 209 D

[56] References Cited

U.S. PATENT DOCUMENTS

D. 66,596 2/1925 Willshaw D12/146

OTHER PUBLICATIONS

1971 Tread Design Guide, p. 217, Pirelli Cinturato AT89 Tire, top right side of page.

Primary Examiner—James M. Gandy
Attorney, Agent, or Firm—Sughrue, Mion, Zinn, Macpeak and Seas

[57] CLAIM

The ornamental design for a vehicle tire, as shown and described.

DESCRIPTION

FIG. 1 is a perspective view of a vehicle tire showing our new design, it being understood that the tread pattern is repeated throughout the circumference of the tire, the opposite side being substantially the same as that shown;

FIG. 2 is a side elevational view thereof;

FIG. 3 is an end elevational view thereof; and

FIG. 4 is an enlarged cross-sectional view thereof taken along line 4-4 in FIG. 3.

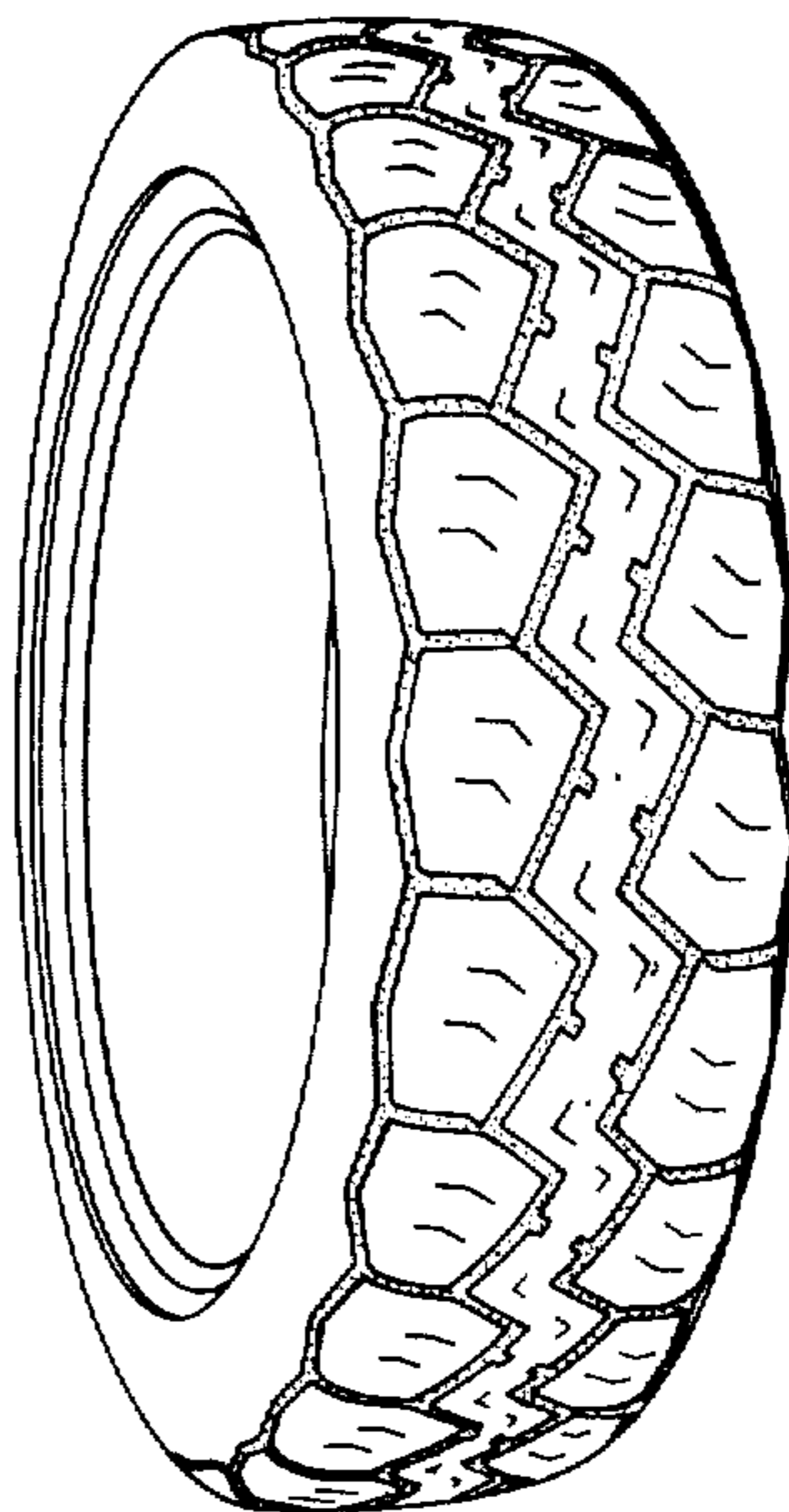


FIG. 1

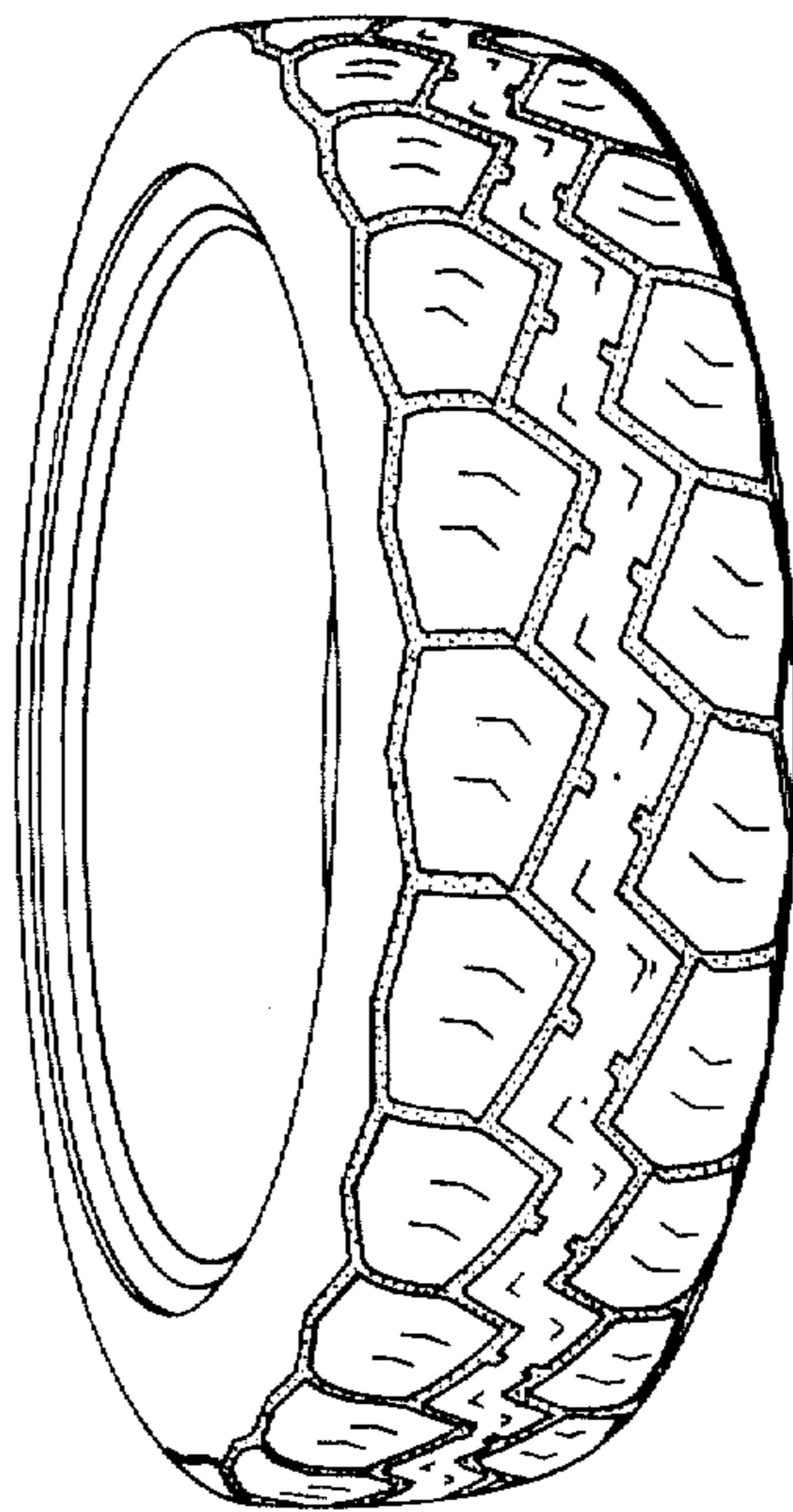


FIG. 2

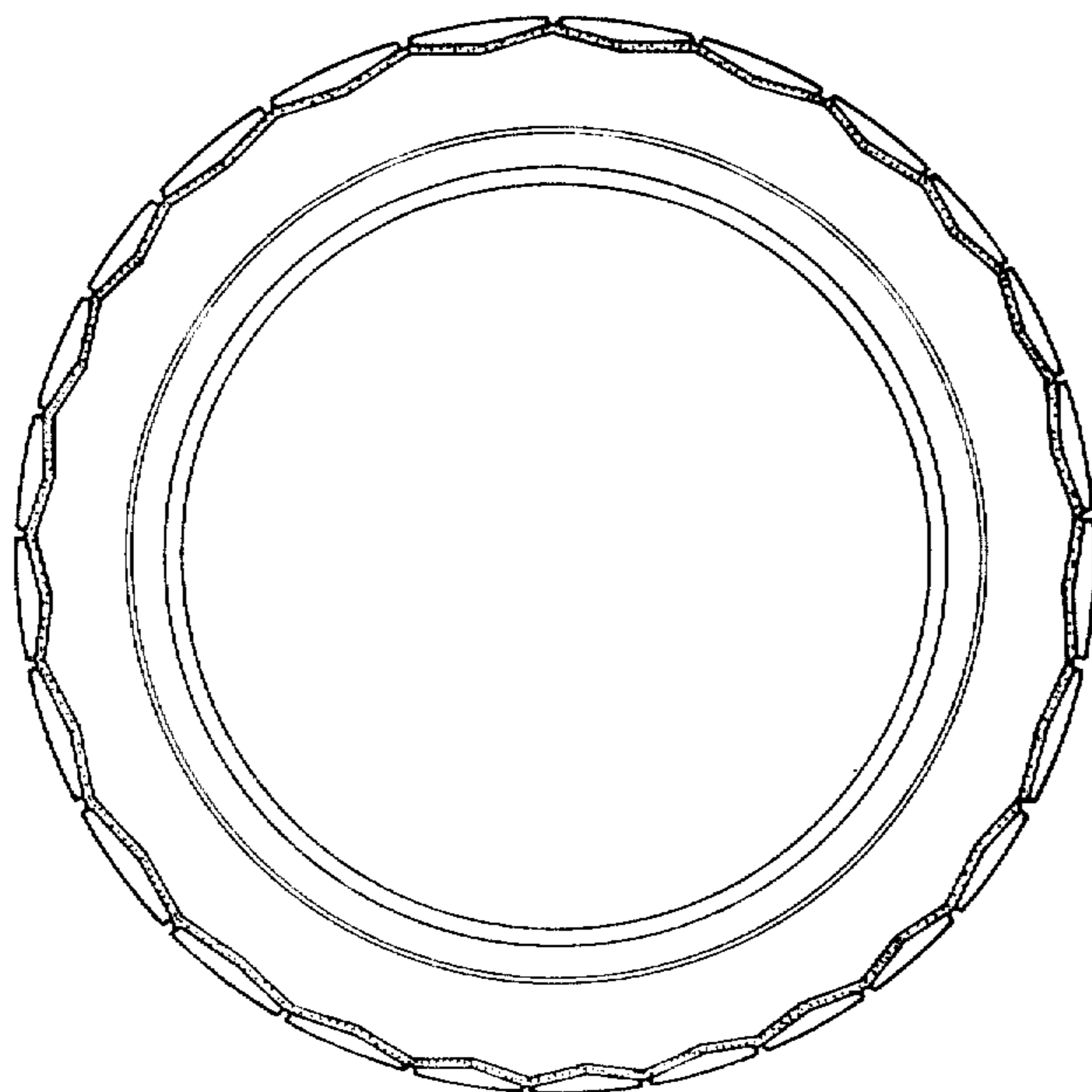


FIG. 3

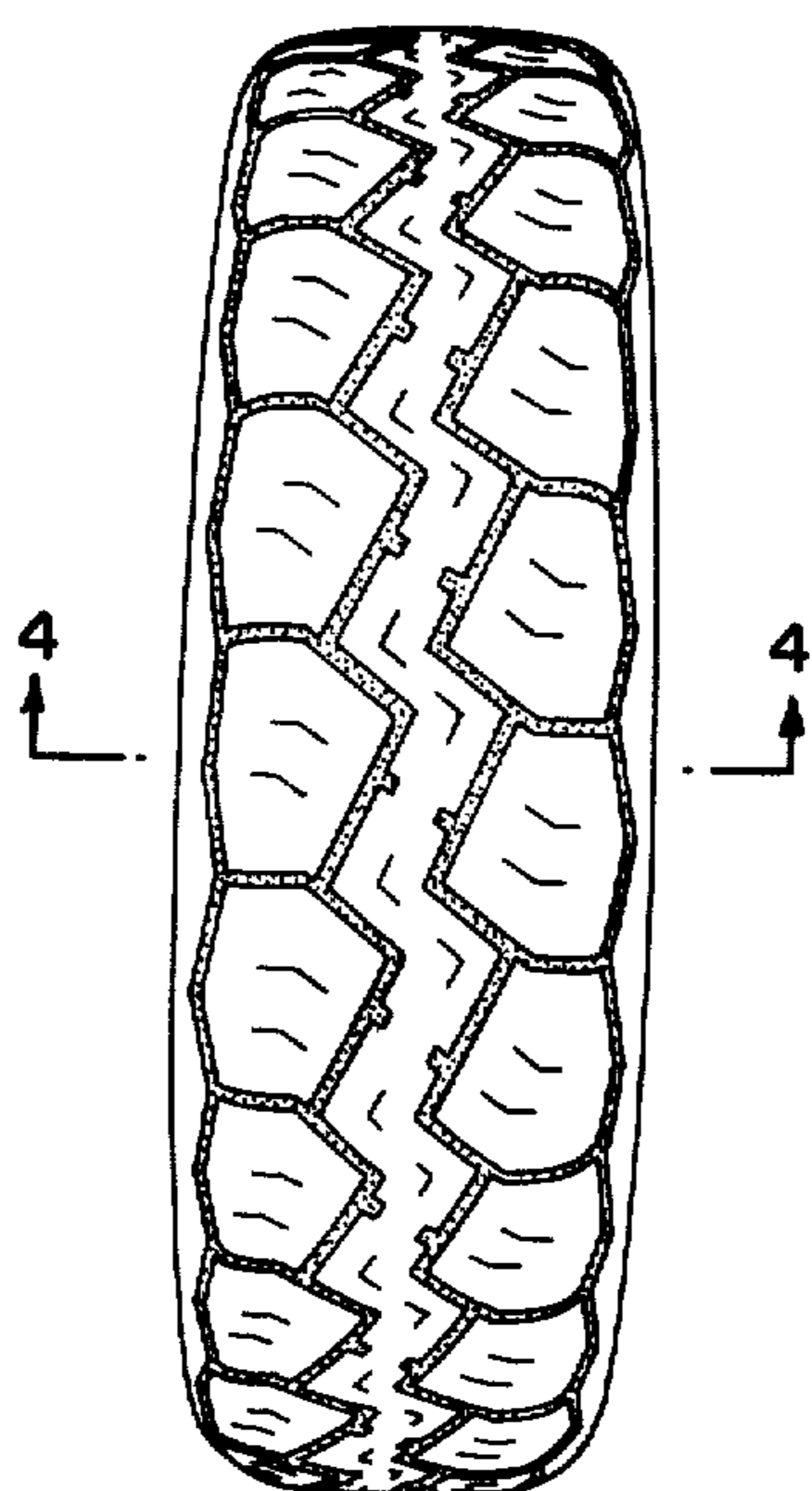


FIG. 4

