

[54] EARRING

[75] Inventor: Elias Epstein, Flushing, N.Y.

[73] Assignee: Kaspar & Esh, Inc., New York, N.Y.

[**] Term: 14 Years

[21] Appl. No.: 109,609

[22] Filed: Jan. 4, 1980

[51] Int. Cl. D11-01

[52] U.S. Cl. D11/75

[58] Field of Search D11/7, 40, 43, 47, 75,
D11/79; 63/1 R-2, 12-14 R, 18-21, 23

[56] References Cited

U.S. PATENT DOCUMENTS

- D. 257,024 9/1980 Barr D11/75 X
- 4,218,894 8/1980 Tropea 63/13

OTHER PUBLICATIONS

Jewelers' Circular-Keystone, 9/1978, p. 120, "Earring Magic" at center.

Primary Examiner—Louis S. Zarfes

Attorney, Agent, or Firm—Burgess, Ryan and Wayne

[57] CLAIM

The ornamental design for an earring, substantially as shown and described.

DESCRIPTION

FIG. 1 is a front elevational view thereof of an earring showing my new design;

FIG. 2 is a rear elevational view thereof, the broken line showing of a nut being for illustrative purposes only;

FIG. 3 is a left side elevational view thereof, the right side being a mirror image;

FIG. 4 is a top plan view thereof; and

FIG. 5 is a bottom plan view thereof.

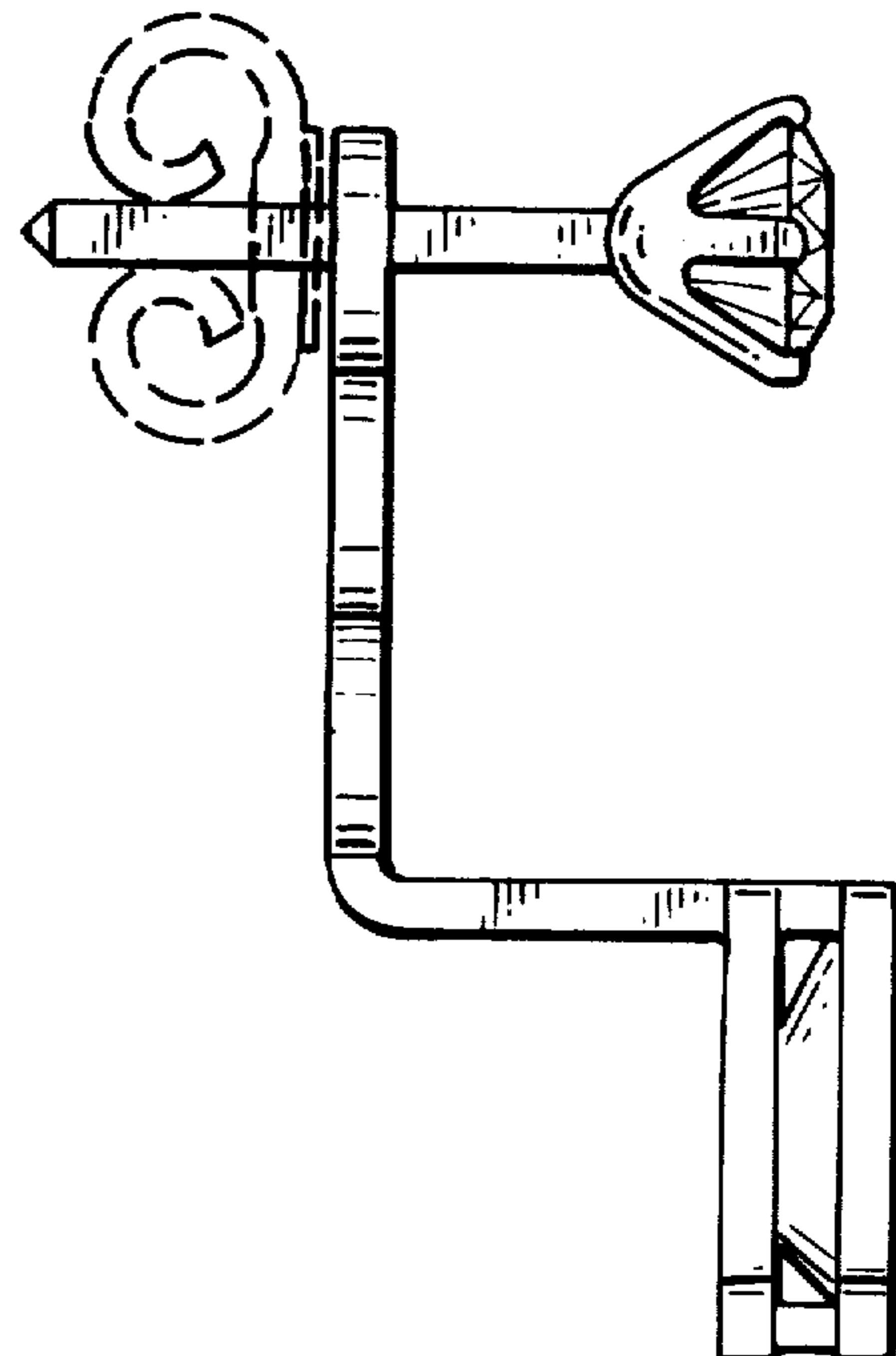
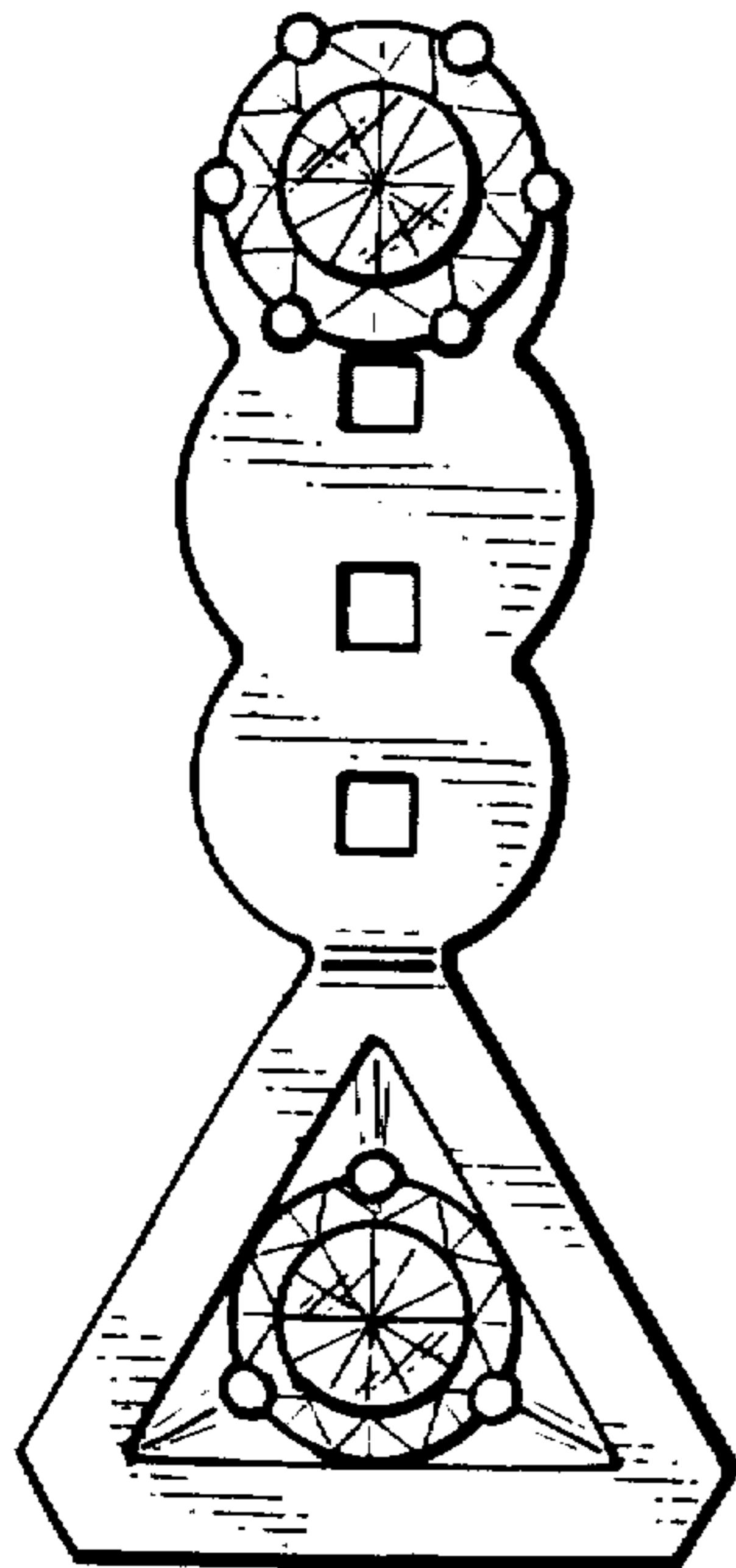


FIG.1

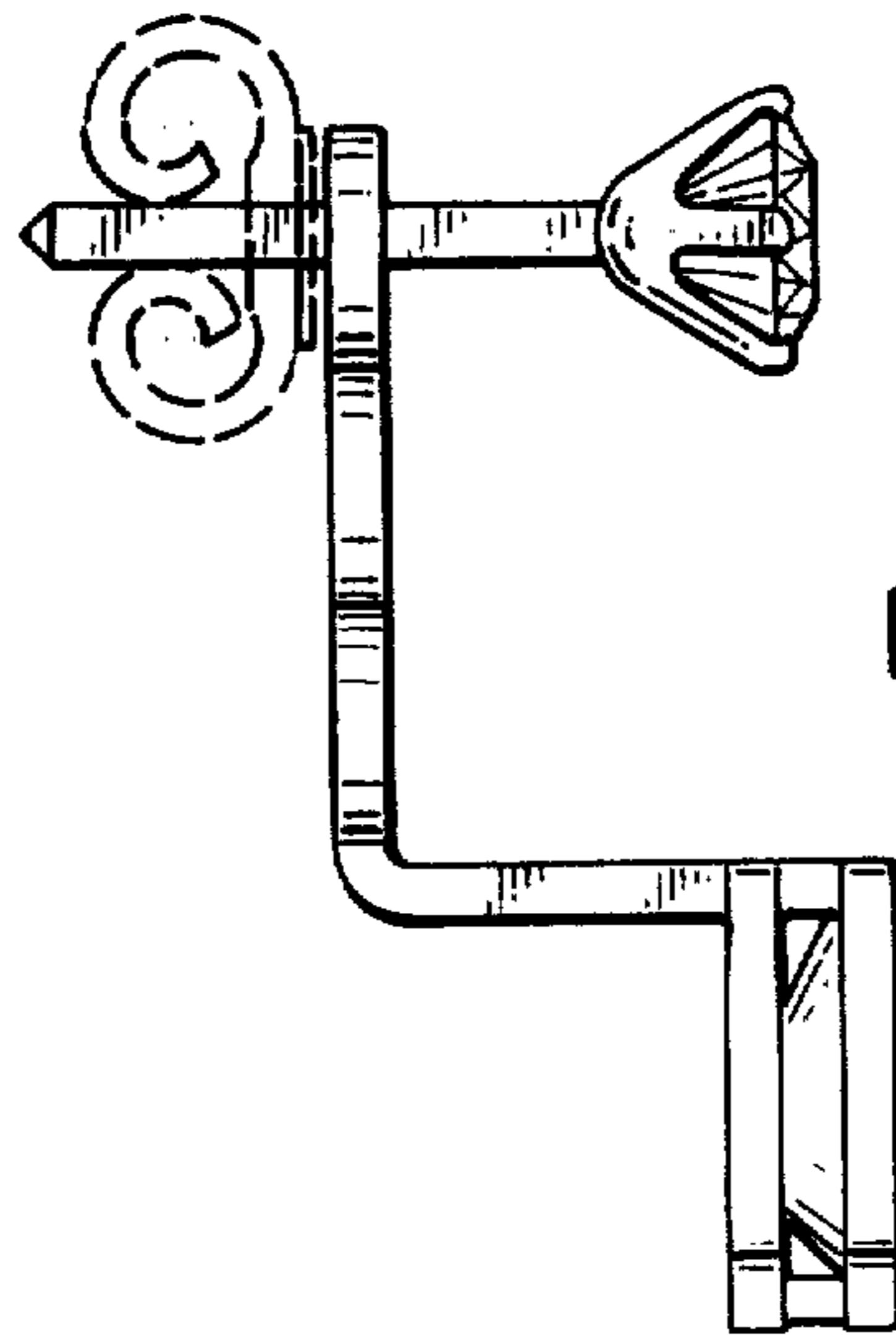
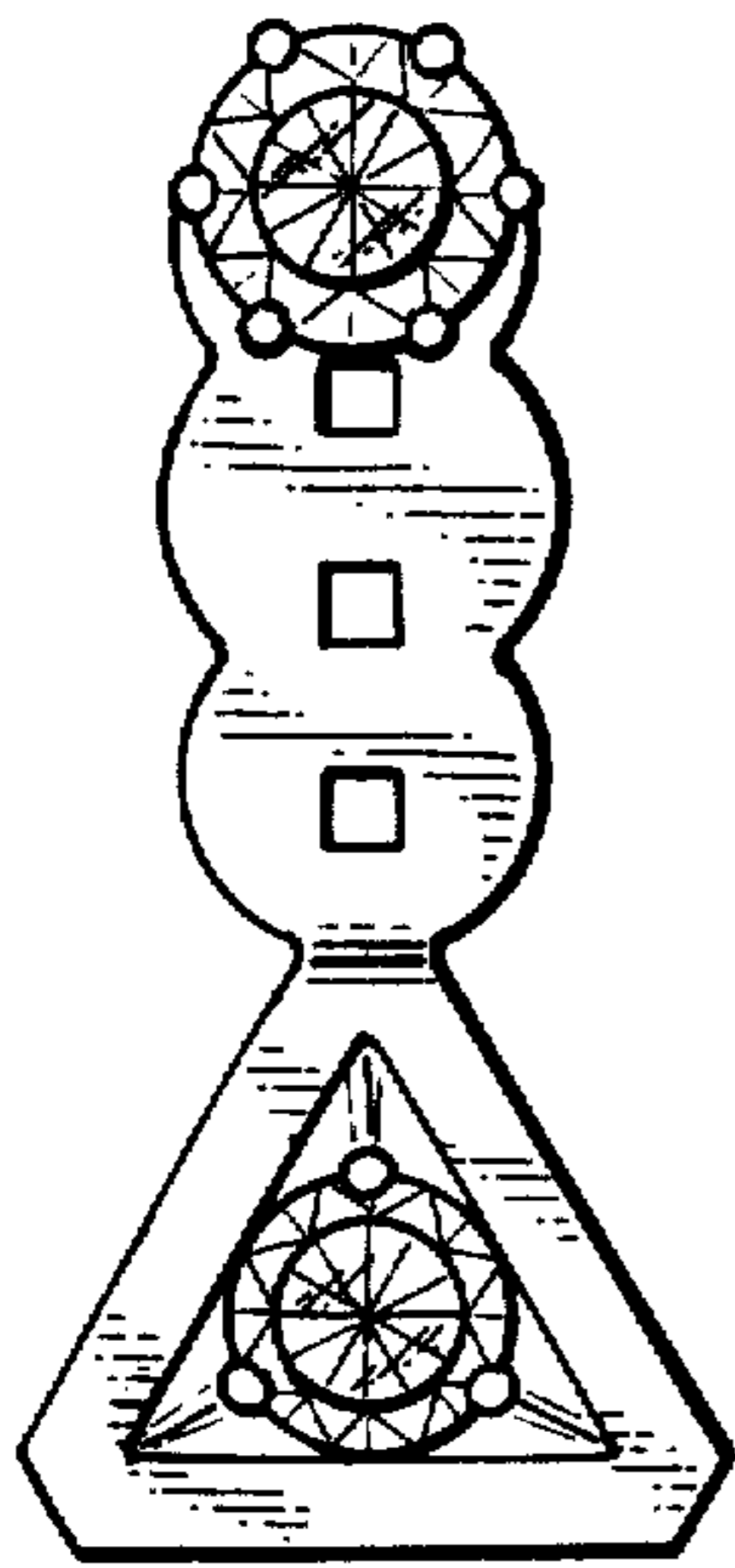


FIG.3

FIG.4

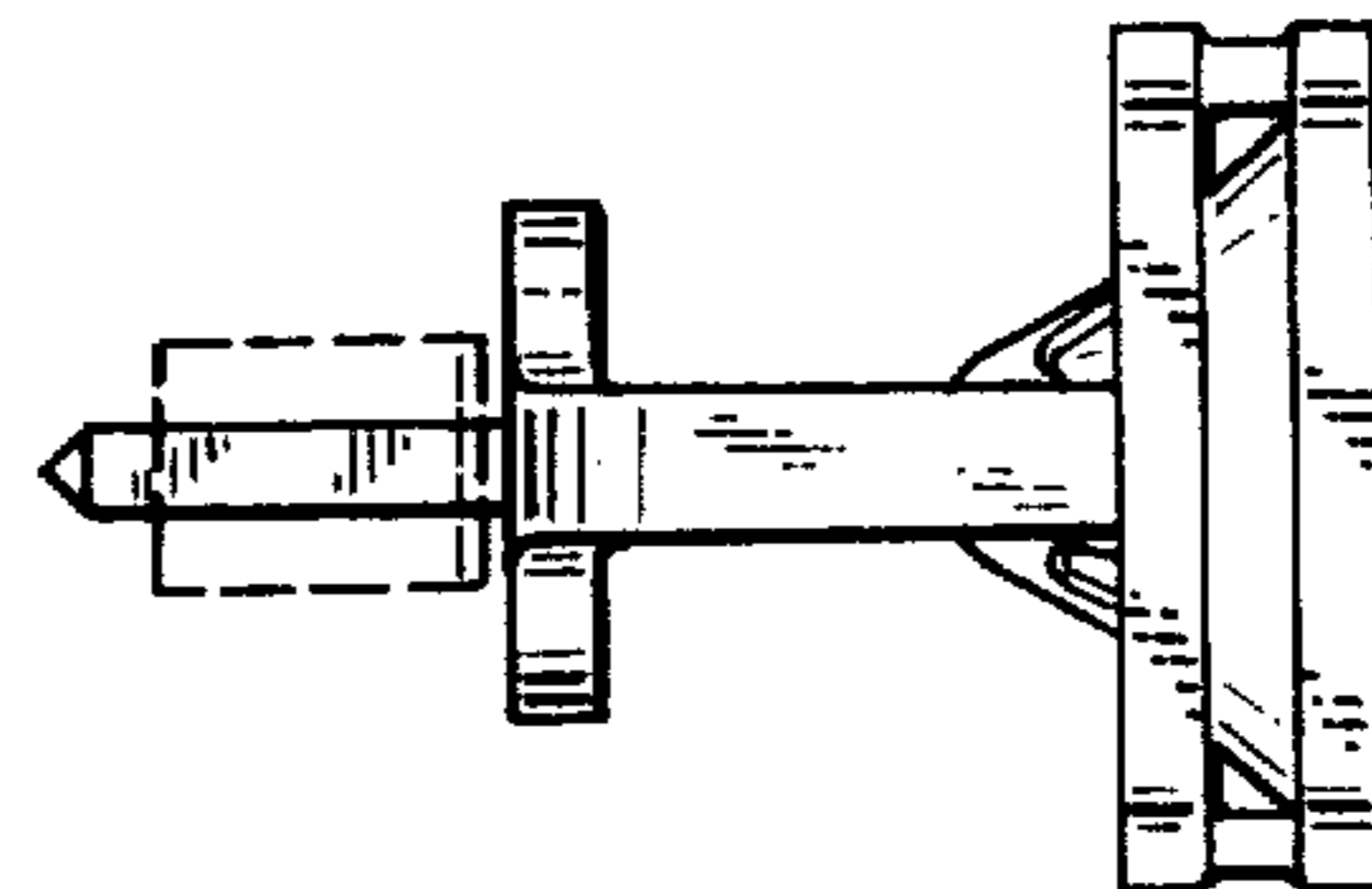
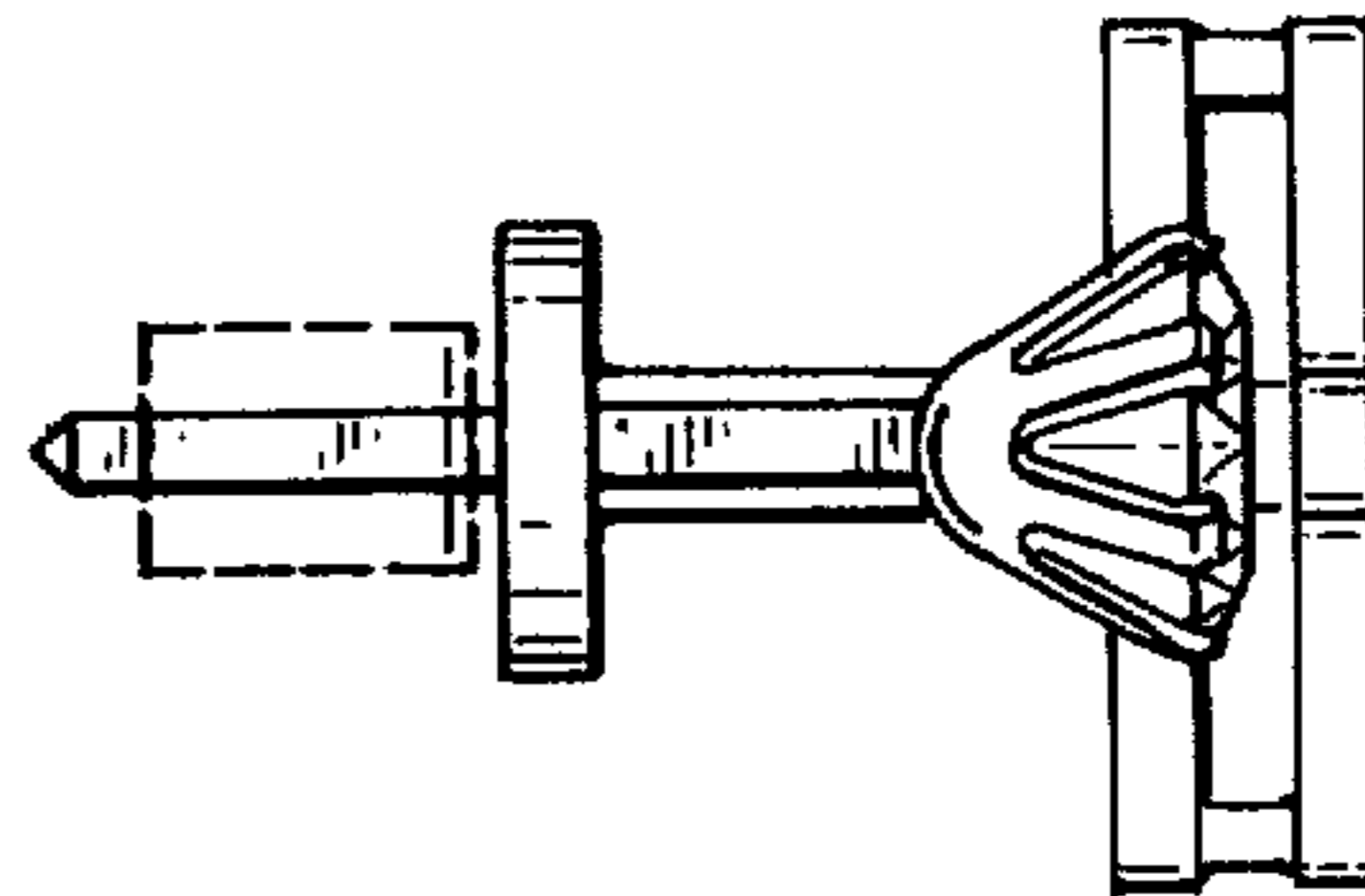


FIG.5

FIG.2

