

[54] WATER SENSING ALARM

[75] Inventors: **Richard P. Mintz**, Oceanside; **Ronald A. Buttner**, Bellmore; **Alton K. Allen**, Great Neck, all of N.Y.

[73] Assignee: **Datasonic, Inc.**, Mineola, N.Y.

[**] Term: **14 Years**

[21] Appl. No.: **99,864**

[22] Filed: **Dec. 3, 1979**

[51] Int. Cl. **D10-05**

[52] U.S. Cl. **D10/121**

[58] Field of Search **D10/104, 106, 121; 340/539, 541, 545, 546, 547, 550, 551, 552, 553, 554, 555, 561, 562, 565, 566, 567, 568, 571, 572, 578, 579, 584, 628, 602, 603, 604, 605, 618, 620; 200/61.04, 61.05**

[56] **References Cited**

U.S. PATENT DOCUMENTS

- D. 152,132 12/1948 Young D10/106
- D. 225,905 1/1973 Lincoln D10/106
- D. 248,283 6/1978 Kitts et al. D10/106

OTHER PUBLICATIONS

Popular Science, May-1978, p. 103, top left, water detector.

Primary Examiner—Susan J. Lucas
Attorney, Agent, or Firm—Arthur Dresner

[57] **CLAIM**

The ornamental design for a water sensing alarm, substantially as shown.

DESCRIPTION

FIG. 1 is a front perspective view of a water sensing alarm showing our new design;
 FIG. 2 is a front end elevational view thereof, the rear end being substantially identical thereto;
 FIG. 3 is top plan view thereof;
 FIG. 4 is a left side elevational view thereof, the right side being substantially identical thereto; and
 FIG. 5 is a bottom plan view thereof.

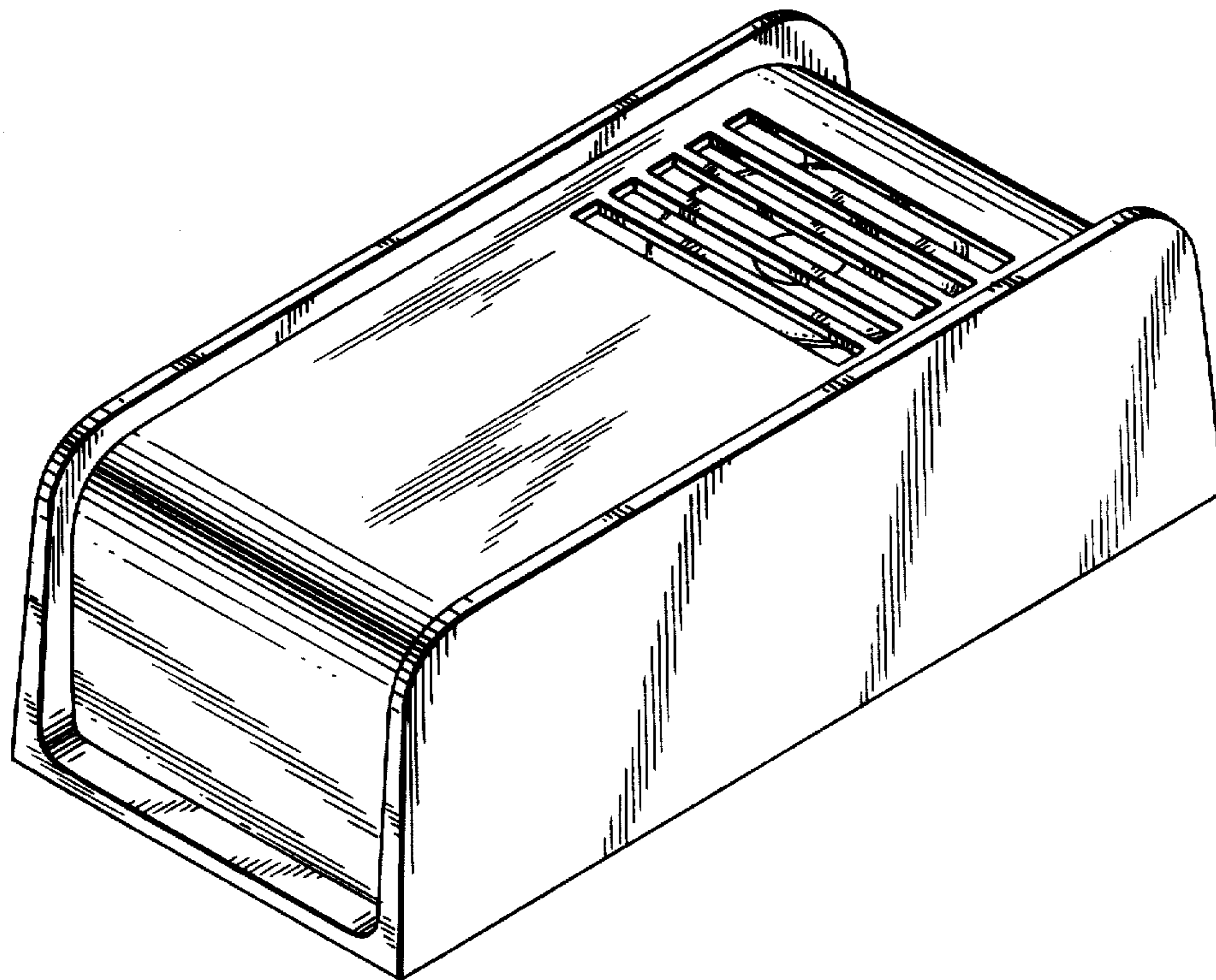


FIG. 1

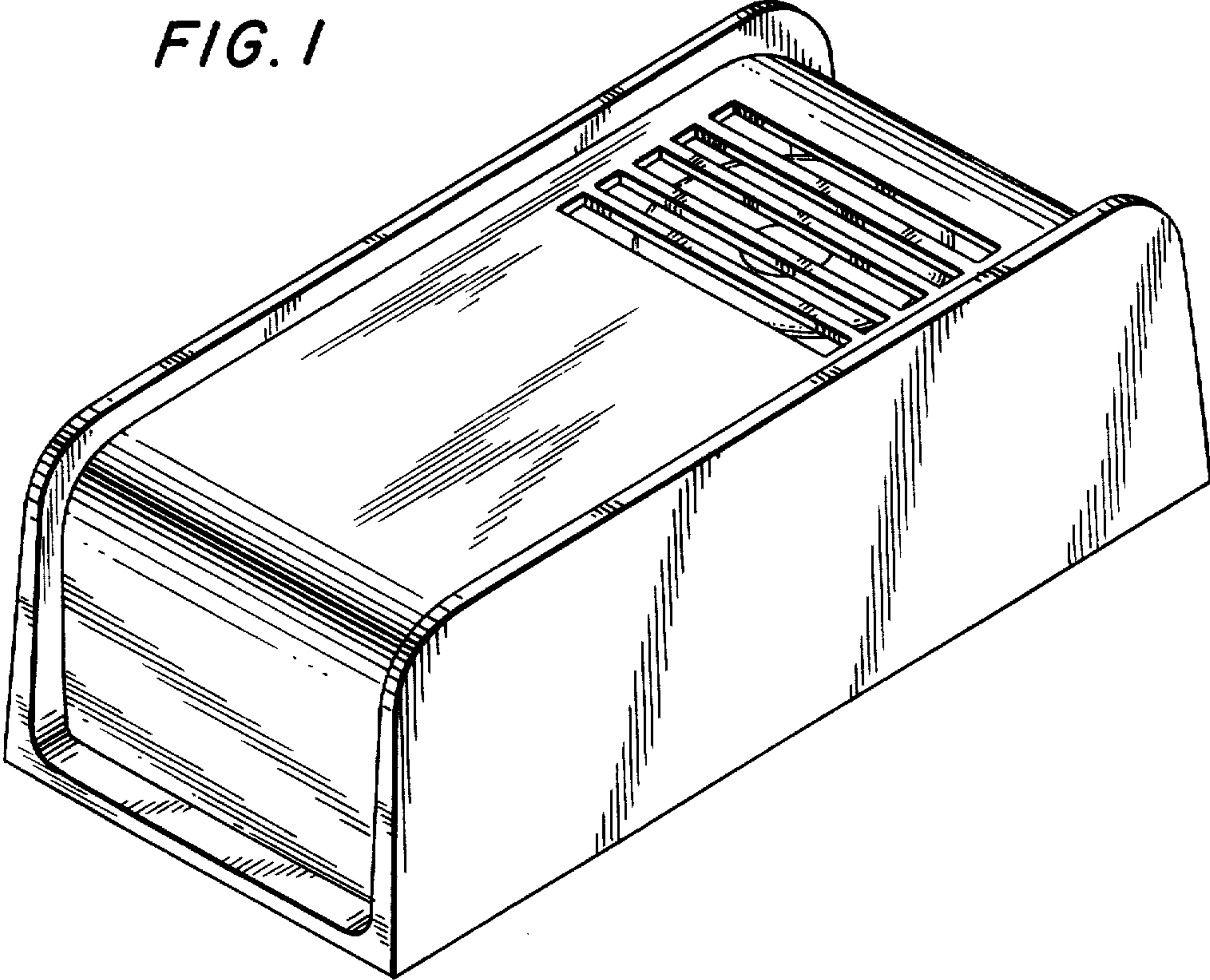


FIG. 2

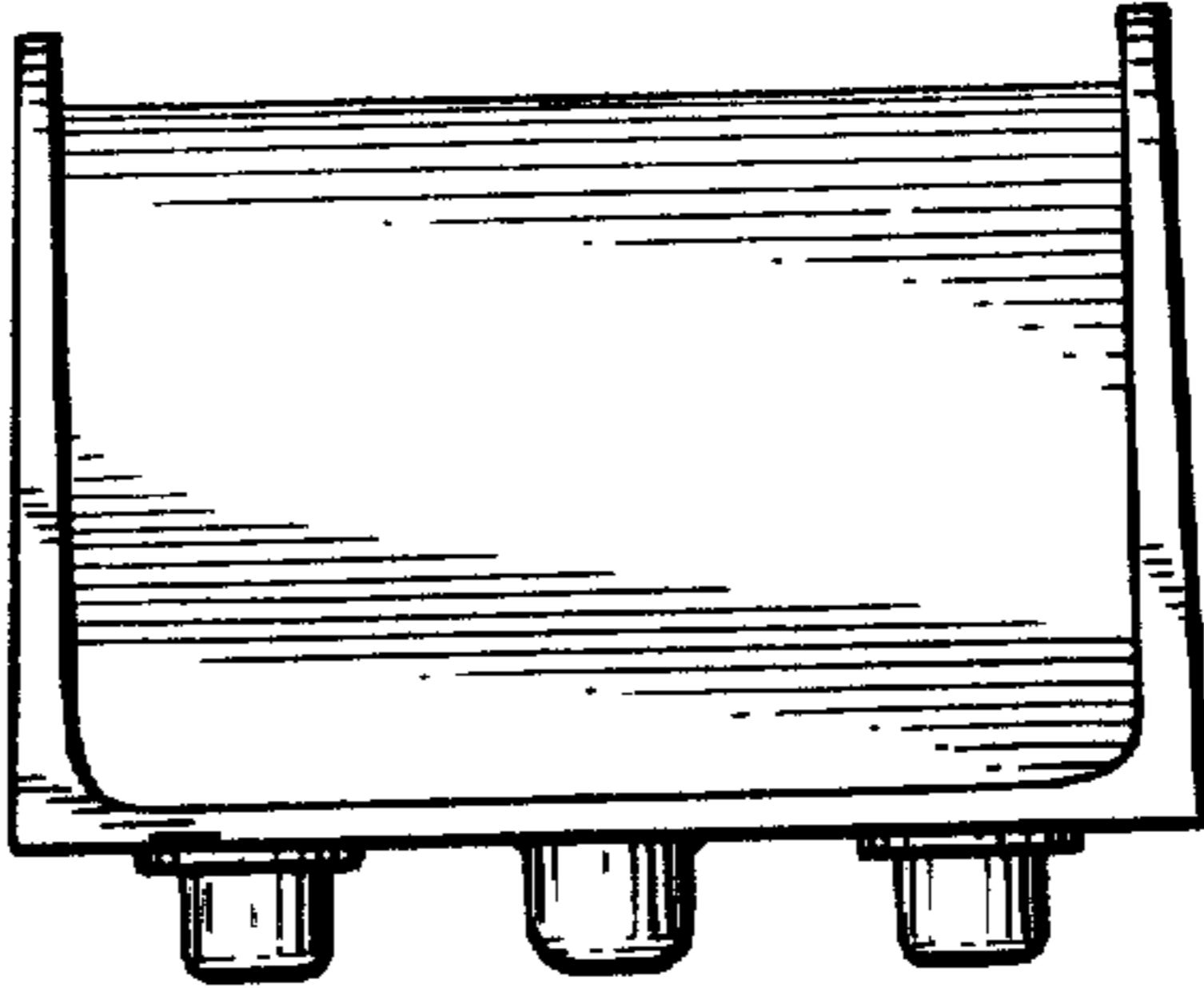


FIG. 3

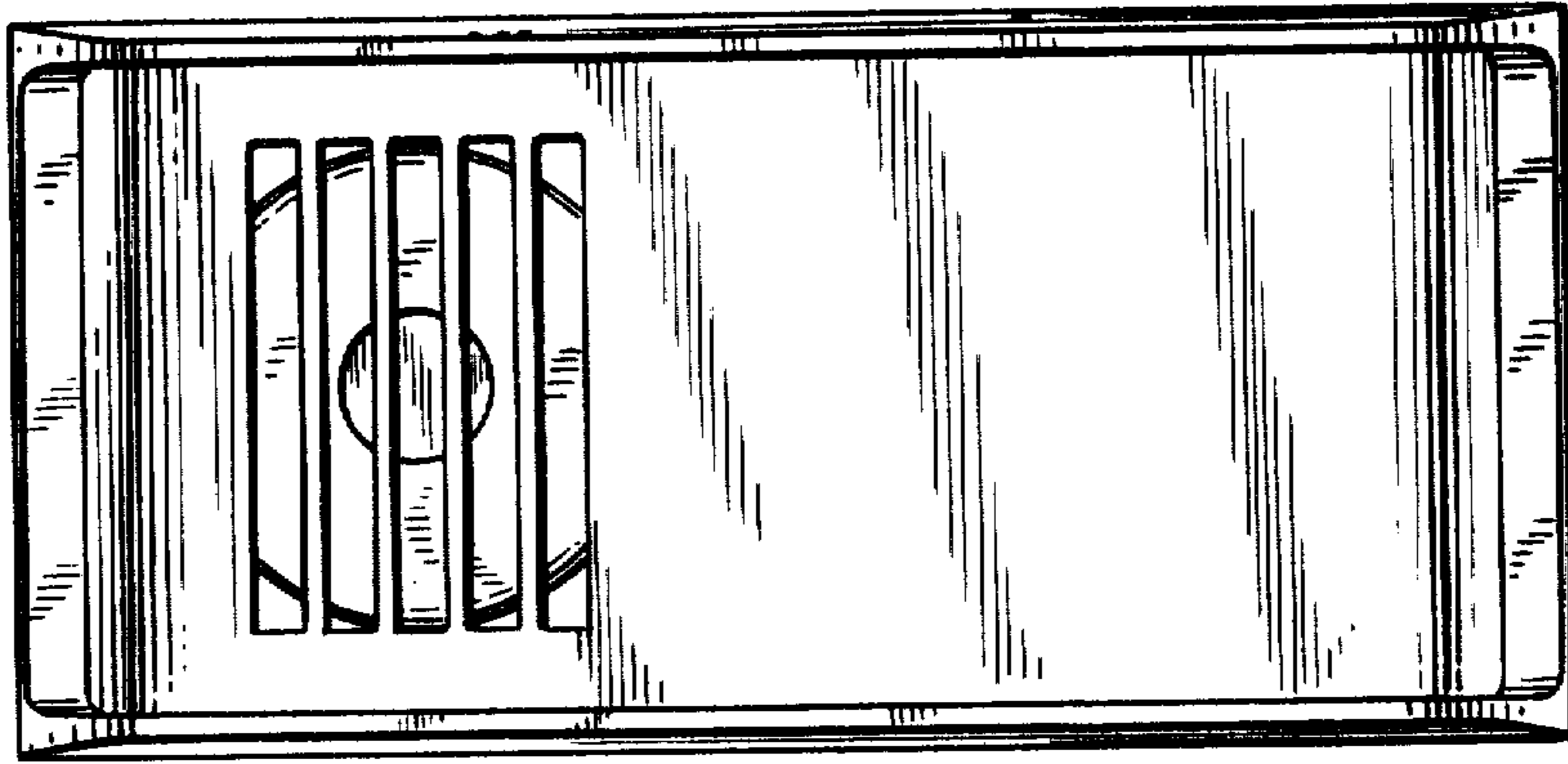


FIG. 4

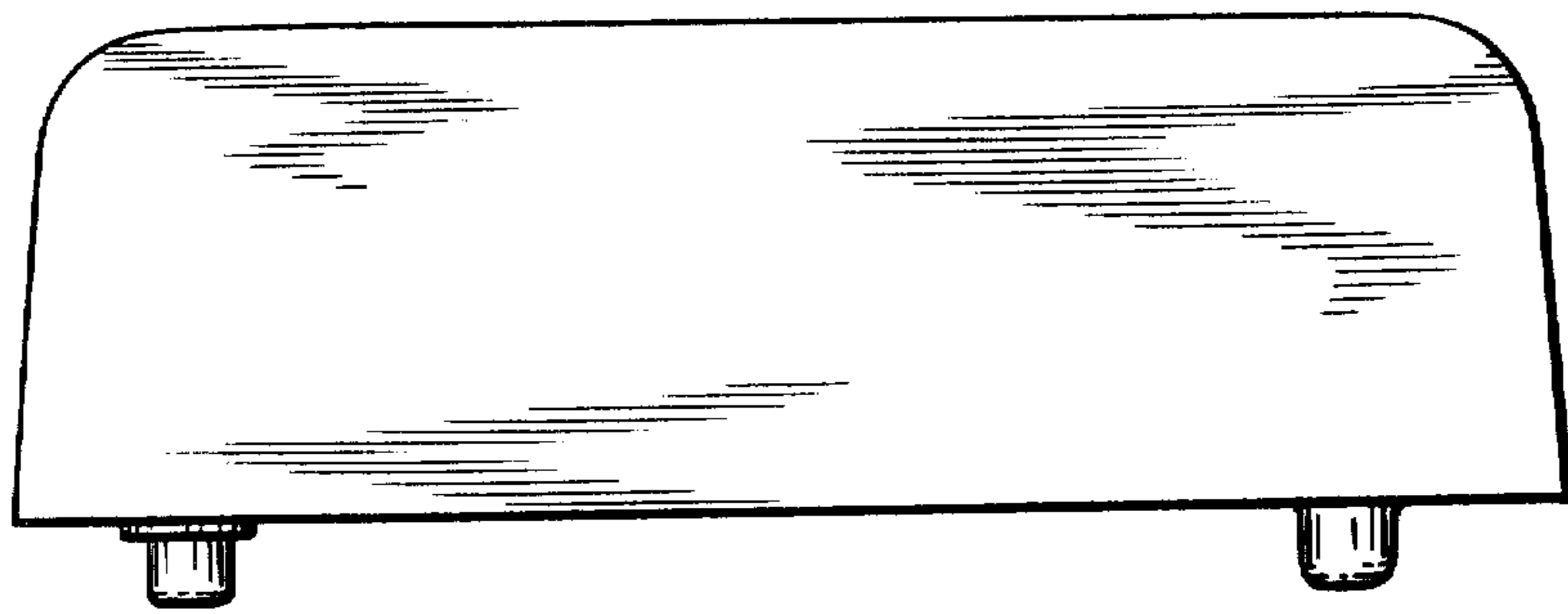


FIG. 5

