

[54] HOUSING FOR AN EMERGENCY ALARM FOR SWIMMING POOLS AND THE LIKE

[76] Inventor: Hendrik J. G. Lorist, 791 Cornell Dr., Santa Clara, Calif. 95050

[\*\*] Term: 14 Years

[21] Appl. No.: 38,632

[22] Filed: May 14, 1979

[51] Int. Cl. .... D10-05

[52] U.S. Cl. .... D10/106

[58] Field of Search ..... D10/104, 106, 121; 340/565, 566, 620, 623, 625

[56] References Cited

U.S. PATENT DOCUMENTS

3,036,296	5/1962	Conte .....	340/565
3,092,822	6/1963	Dorman .....	340/565
3,276,007	9/1966	White .....	340/566

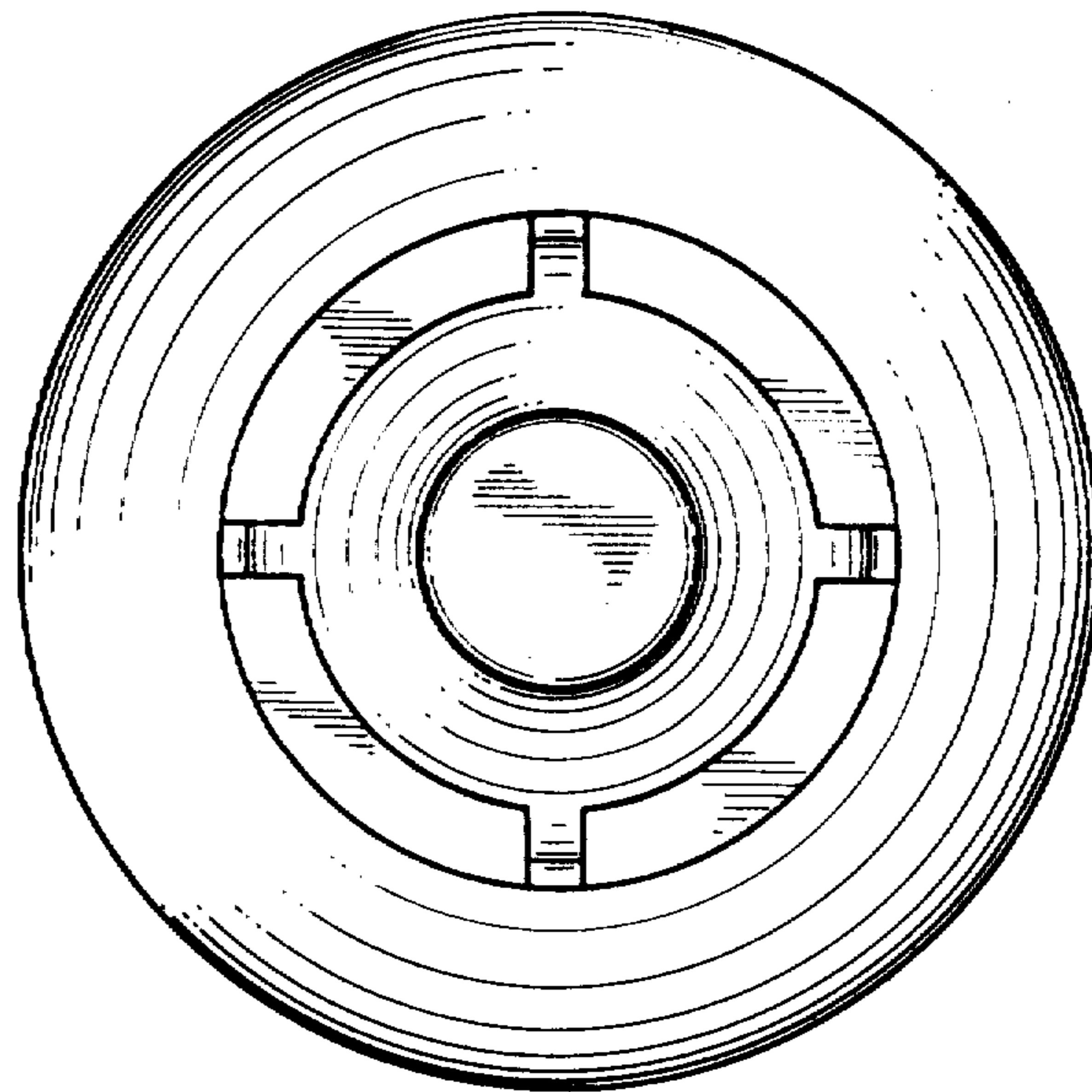
Primary Examiner—Susan J. Lucas  
Attorney, Agent, or Firm—F. D. LaRiviere

[57] CLAIM

The ornamental design for a housing for an emergency alarm for swimming pools and the like, as shown.

DESCRIPTION

FIG. 1 is a top view of a housing for an emergency alarm for swimming pools and the like showing my new design;  
FIG. 2 is a side view thereof;  
FIG. 3 is a bottom view thereof;  
FIG. 4 is a perspective view thereof.



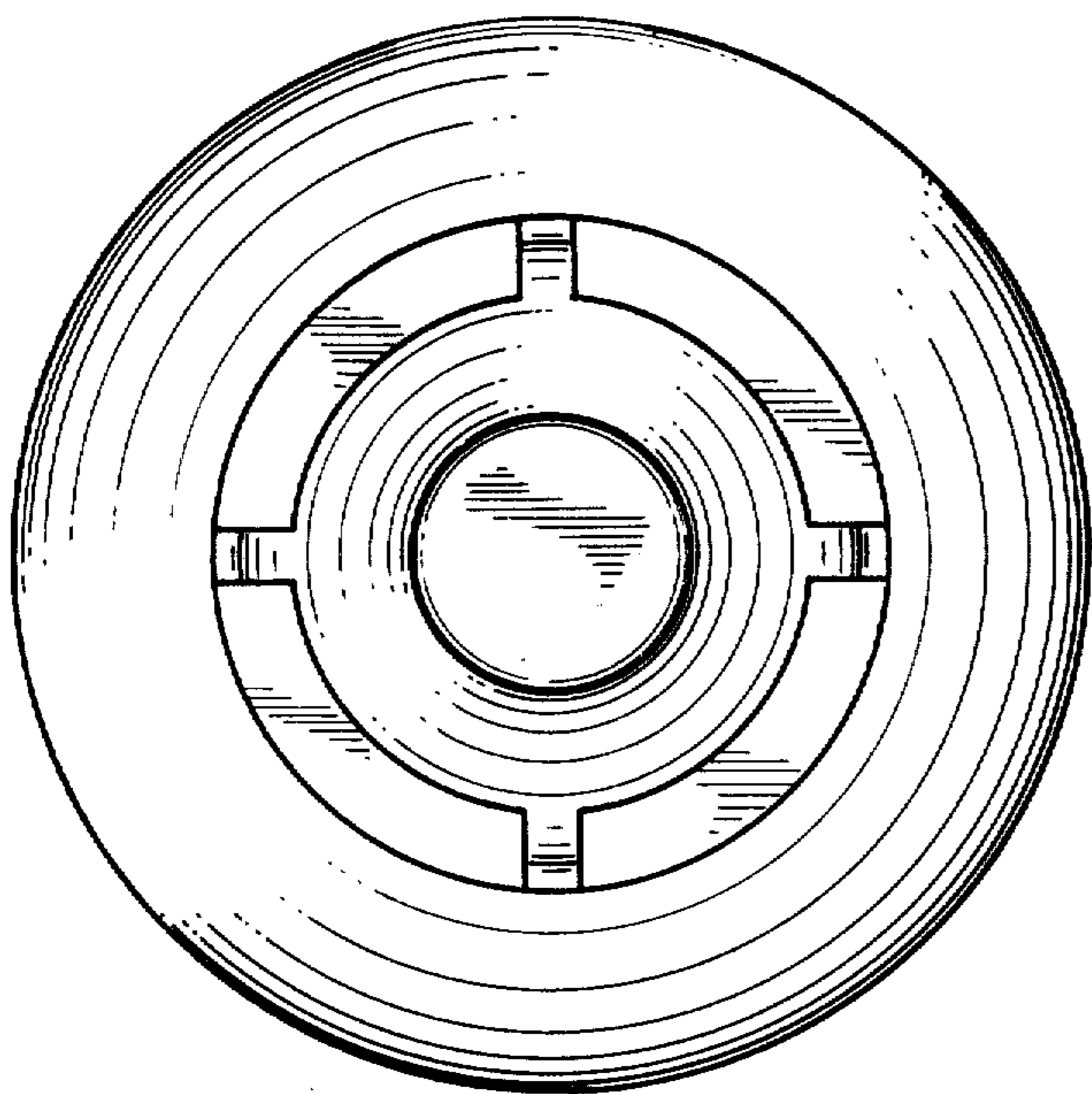


Figure 1

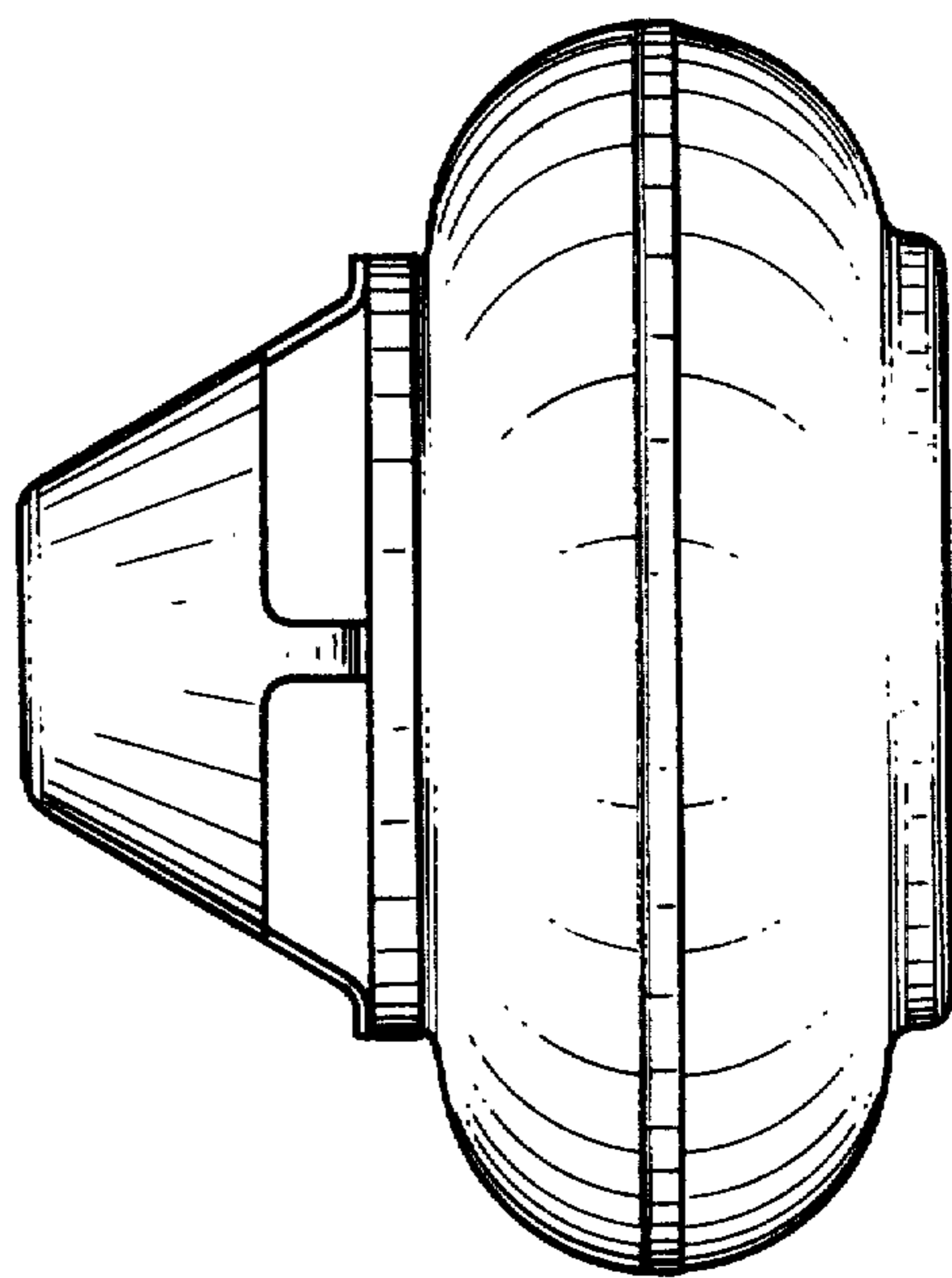


Figure 2

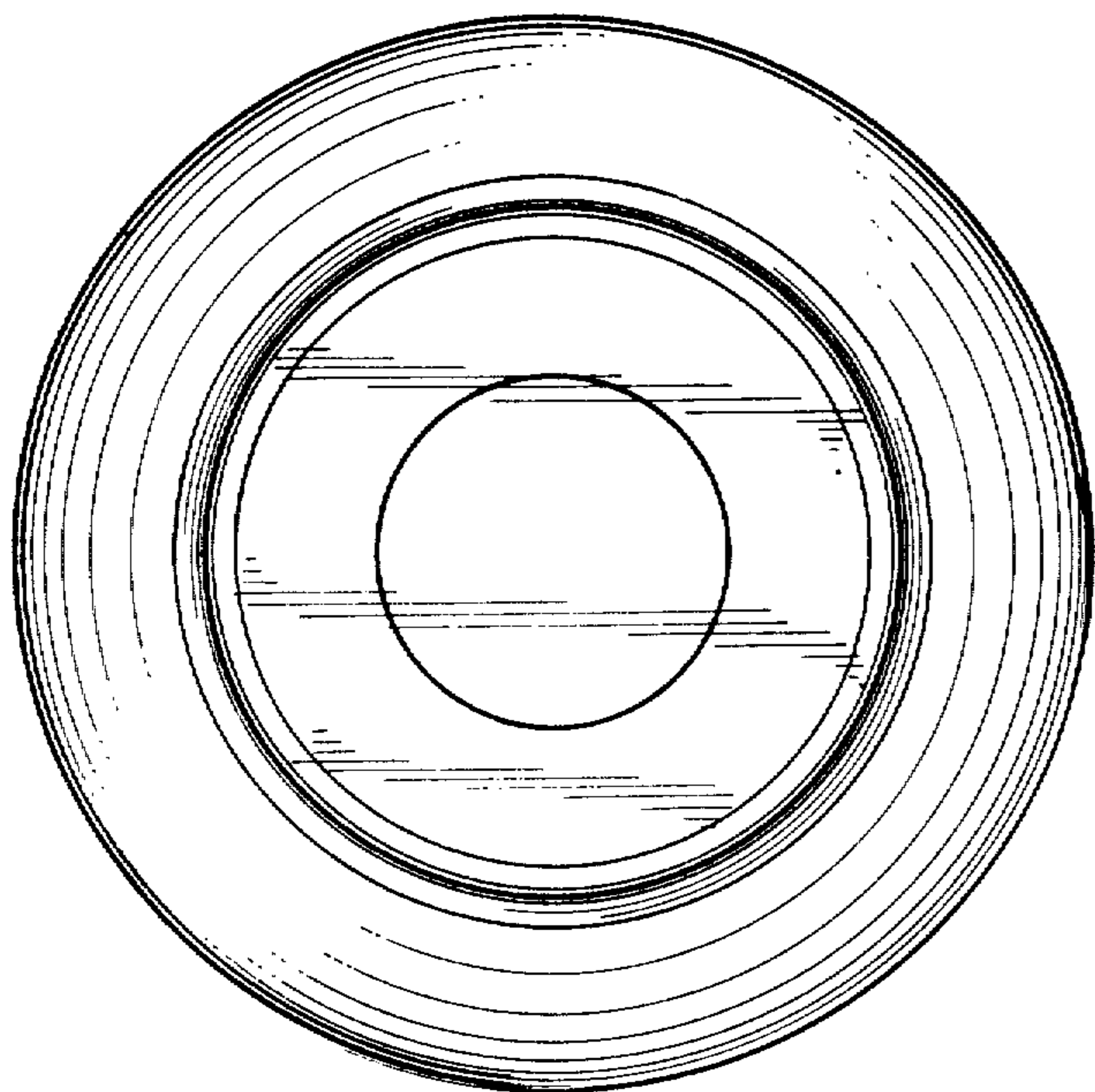


Figure 3

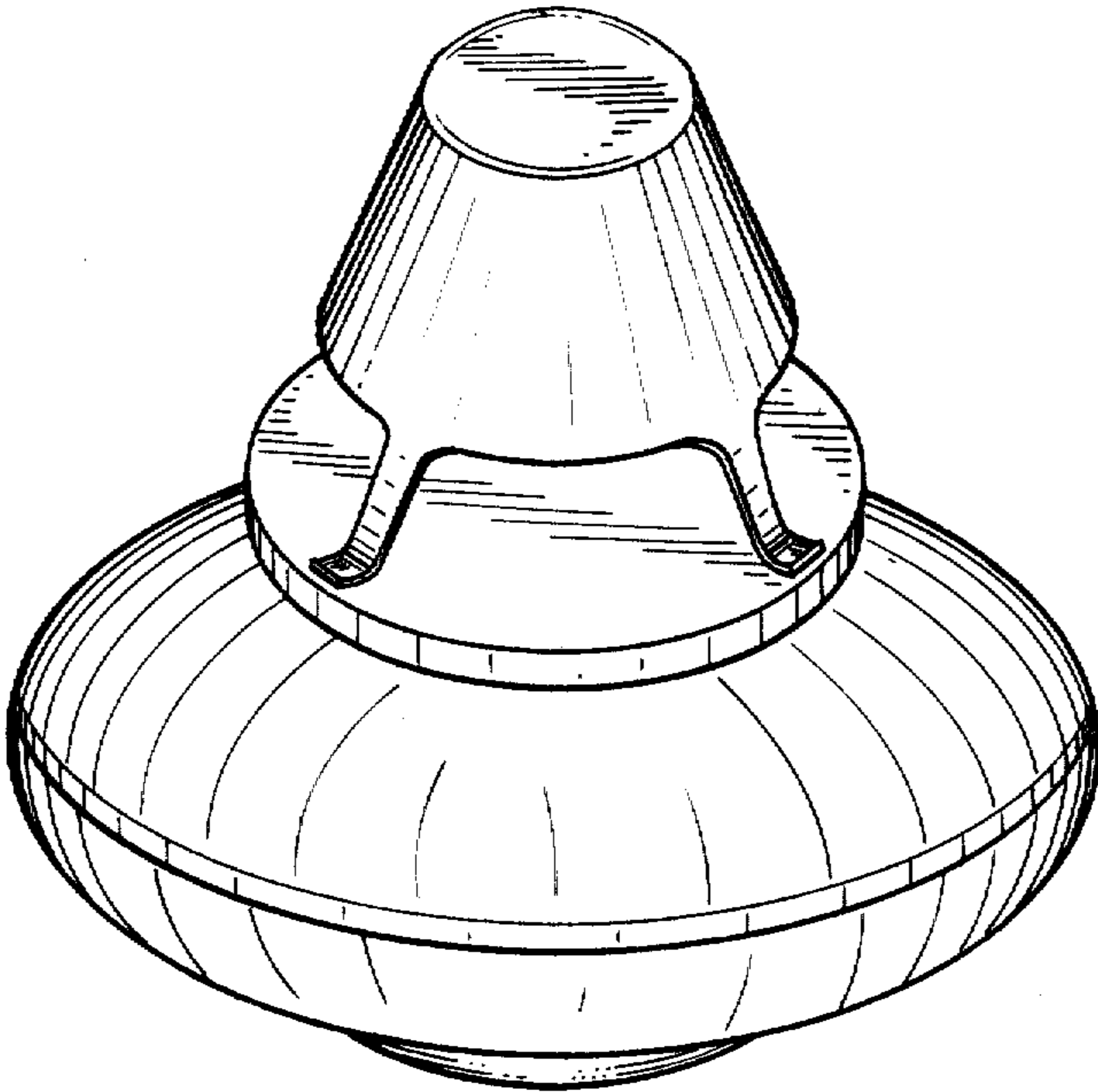


Figure 4