

[54] BATTERY TESTER

[75] Inventors: Gary W. Vest; James C. Loase, both of Cleveland, Ohio

[73] Assignee: New Era Products, Inc., Cleveland, Ohio

[**] Term: 14 Years

[21] Appl. No.: 53,047

[22] Filed: Jun. 28, 1979

[51] Int. Cl. D10-04

[52] U.S. Cl. D10/77

[58] Field of Search D10/46, 75, 77, 78, D10/80, 103; 324/435, 149, 133, 72.5, 73 R, 115

[56] References Cited

U.S. PATENT DOCUMENTS

2,581,116 1/1952 Lewis 324/72.5 X

2,632,785	3/1953	Knopp	324/149 X
2,883,619	4/1959	Kobbe	324/149 X
2,942,189	6/1960	Shea	324/149 X
3,525,939	8/1970	Cartmell	324/133
3,919,631	11/1975	Brown	324/133 X

Primary Examiner—Nelson C. Holtje
Attorney, Agent, or Firm—Pearne, Gordon, Sessions, McCoy & Granger

[57] CLAIM

The ornamental design for a battery tester, substantially as shown and described.

DESCRIPTION

FIG. 1 is a perspective view of a battery tester showing our new design.

FIG. 2 is a side elevational view thereof.

FIG. 3 is a top plan view taken along line 3—3 of FIG. 2.

FIG. 4 is a bottom plan view taken along line 4—4 of FIG. 4.

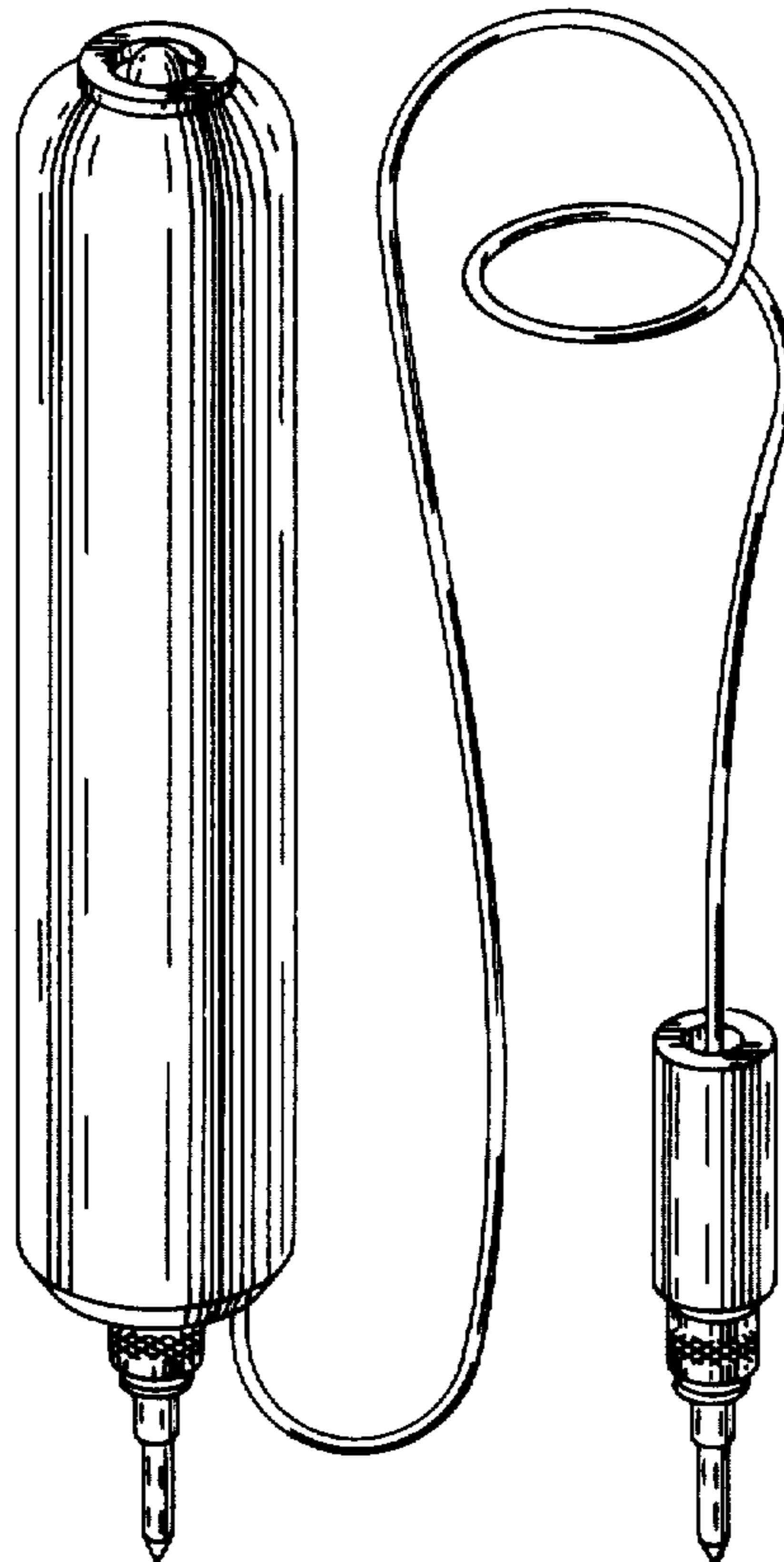


FIG. 1

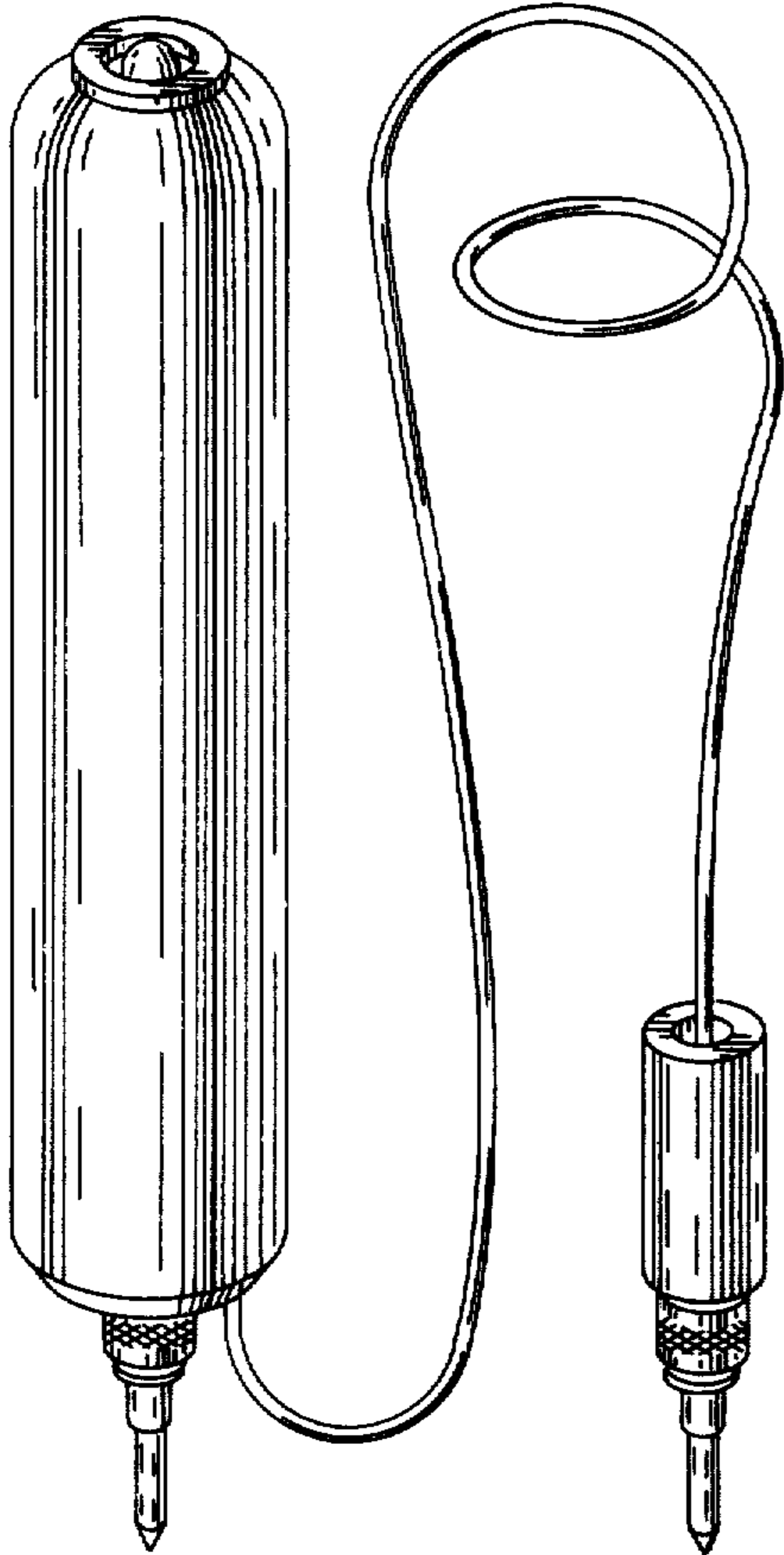


FIG. 3

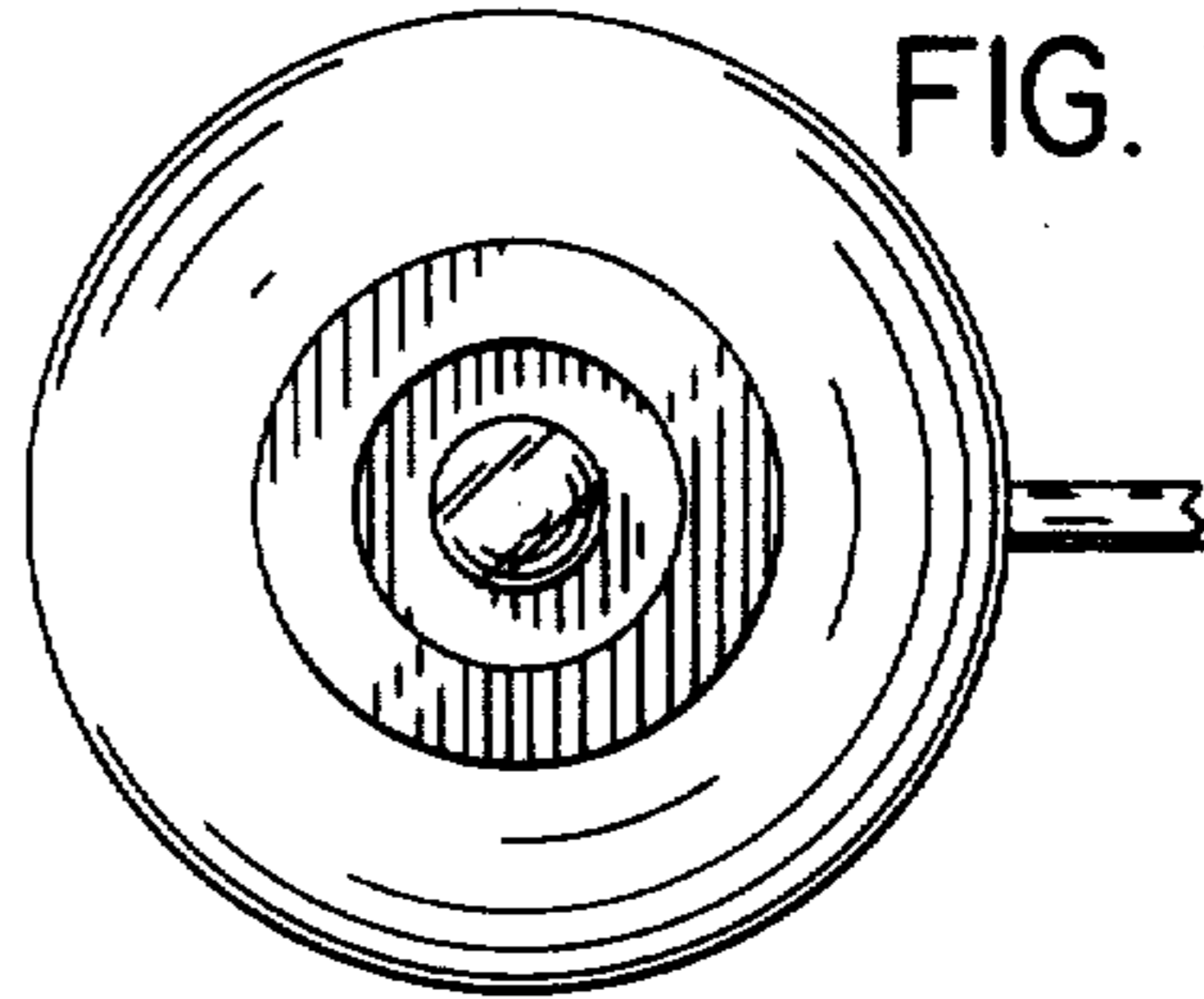


FIG. 2

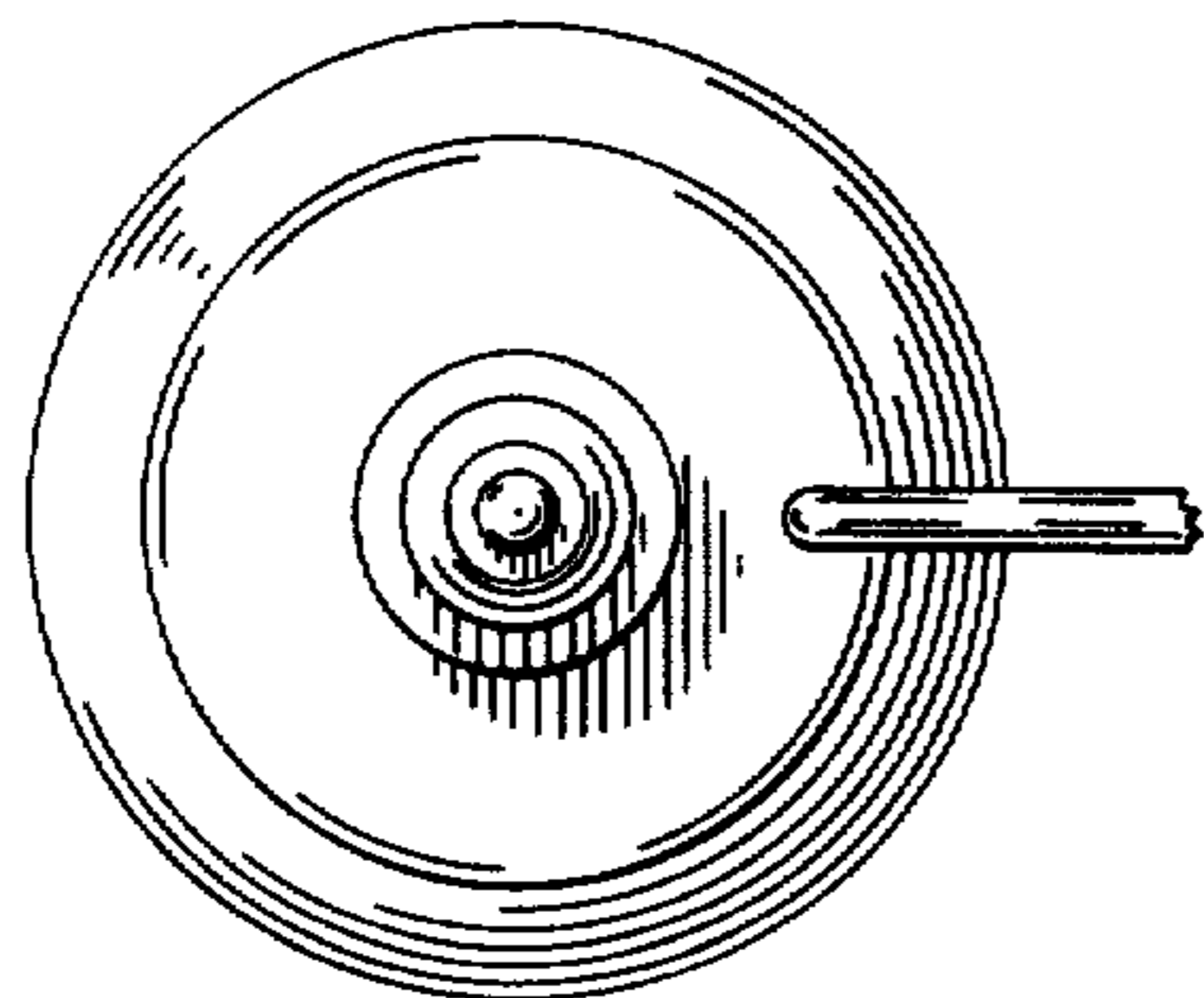
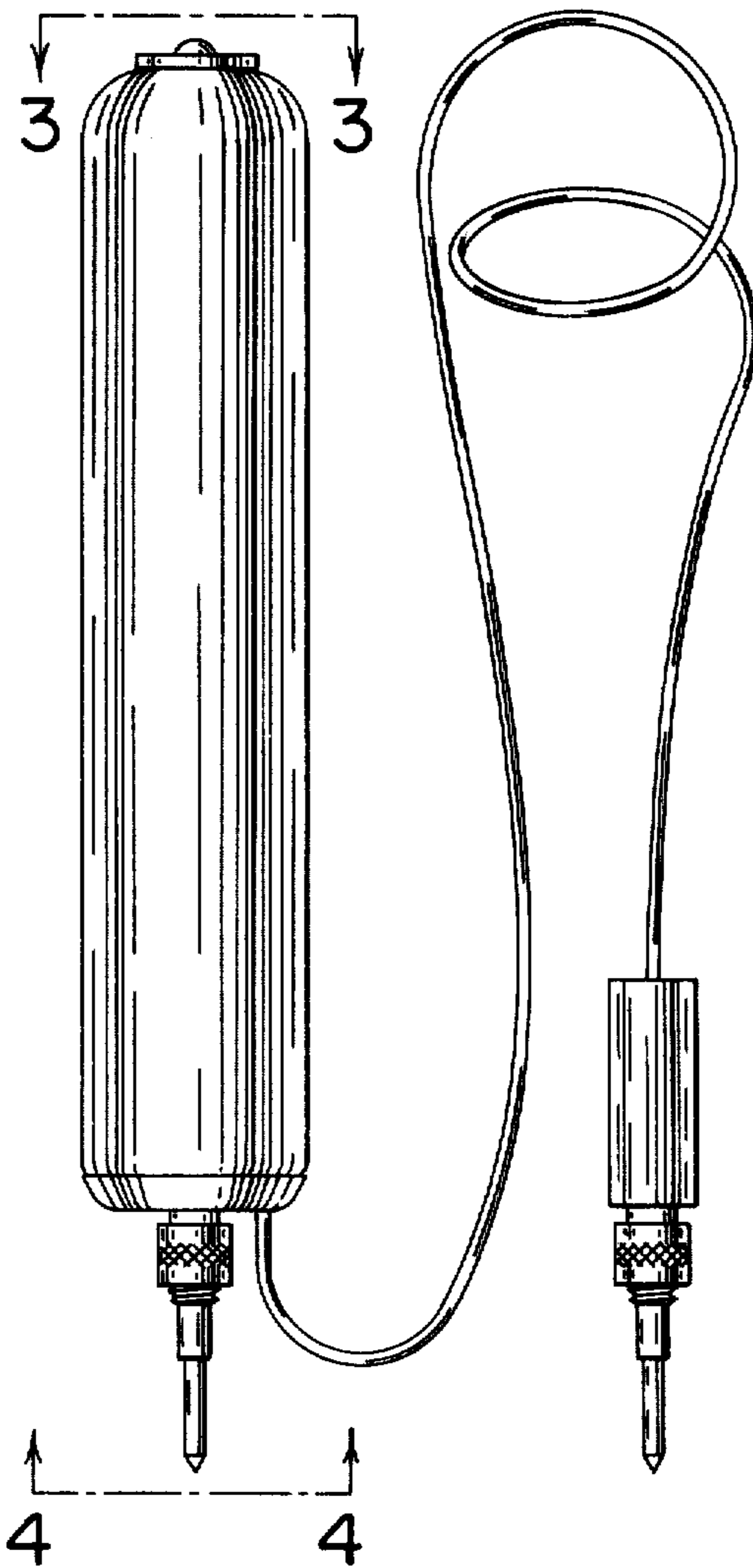


FIG. 4