

- [54] **DIGITAL CLOCK OR THE LIKE**
- [75] Inventor: **David K. Haufe, Hinsdale, Ill.**
- [73] Assignee: **Sunbeam Corporation, Chicago, Ill.**
- [**] Term: **14 Years**
- [21] Appl. No.: **79,688**
- [22] Filed: **Sep. 28, 1979**

Related U.S. Application Data

- [62] Division of Ser. No. 794,904, May 9, 1977, Pat. No. Des. 256,676.

- [51] Int. Cl. **D10-01**
- [52] U.S. Cl. **D10/15**
- [58] Field of Search **D10/1, 15, 2, 24-27;**
D14/73; 368/223, 227, 233, 239-242

References Cited

U.S. PATENT DOCUMENTS

- D. 226,494 3/1973 Bergman D10/15
- D. 232,814 9/1974 Watanabe D10/15
- D. 234,577 3/1975 Powers D10/15
- D. 236,189 8/1975 Daher D10/15

- D. 237,058 10/1975 Hirosawa D10/15
- D. 242,328 11/1976 Nagata D10/15
- D. 256,676 9/1980 Haufe D10/1

OTHER PUBLICATIONS

Gifts & Dec. Access, 1/72, p. 32, Digital Clock At Top--Left.

Primary Examiner—Nelson C. Holtje
Attorney, Agent, or Firm—George R. Clark; Neil M. Rose; Clifford A. Dean

[57] **CLAIM**

The ornamental design for a digital clock or the like, as shown and described.

DESCRIPTION

FIG. 1 is a front perspective view of a digital clock or the like showing my new design;
FIG. 2 is a front elevational view thereof;
FIG. 3 is a right side elevational view thereof, the left side being a mirror image thereto;
FIG. 4 is a top plan view thereof;
FIG. 5 is a cross-sectional view of FIG. 2 as taken from line 5-5; and
FIG. 6 is a cross-sectional view of FIG. 2 as taken from line 6-6.

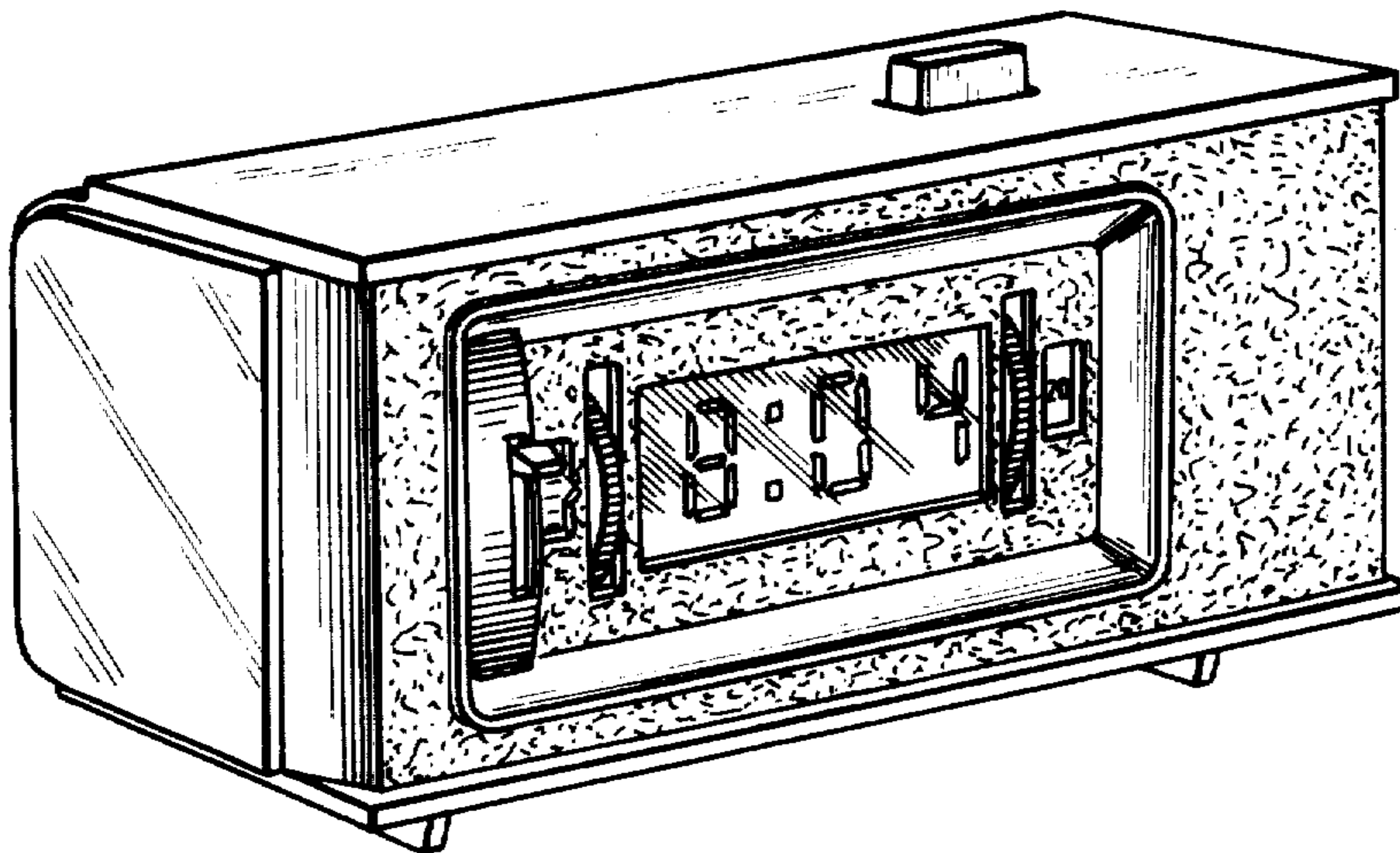


Fig. 1.

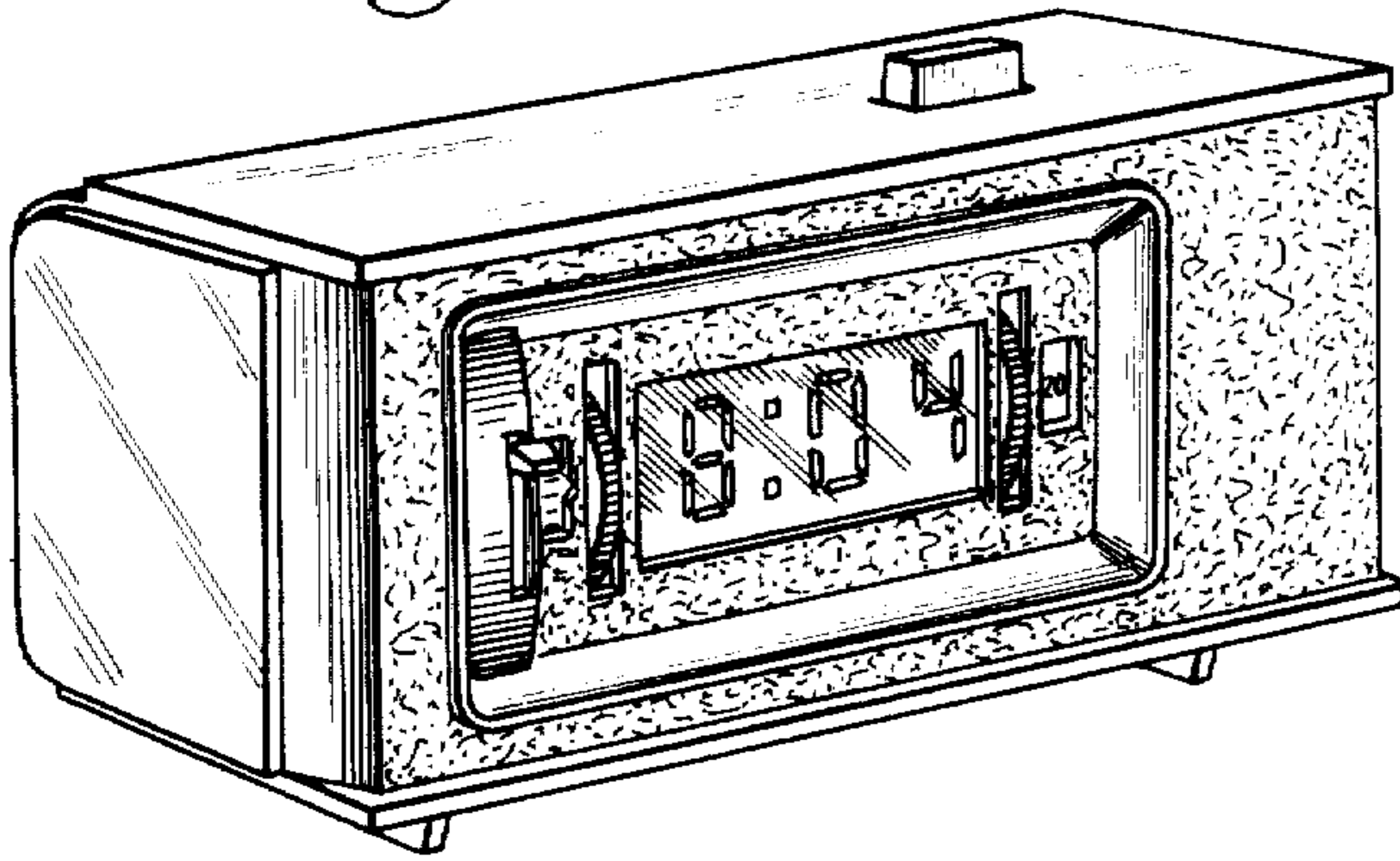


Fig. 3.

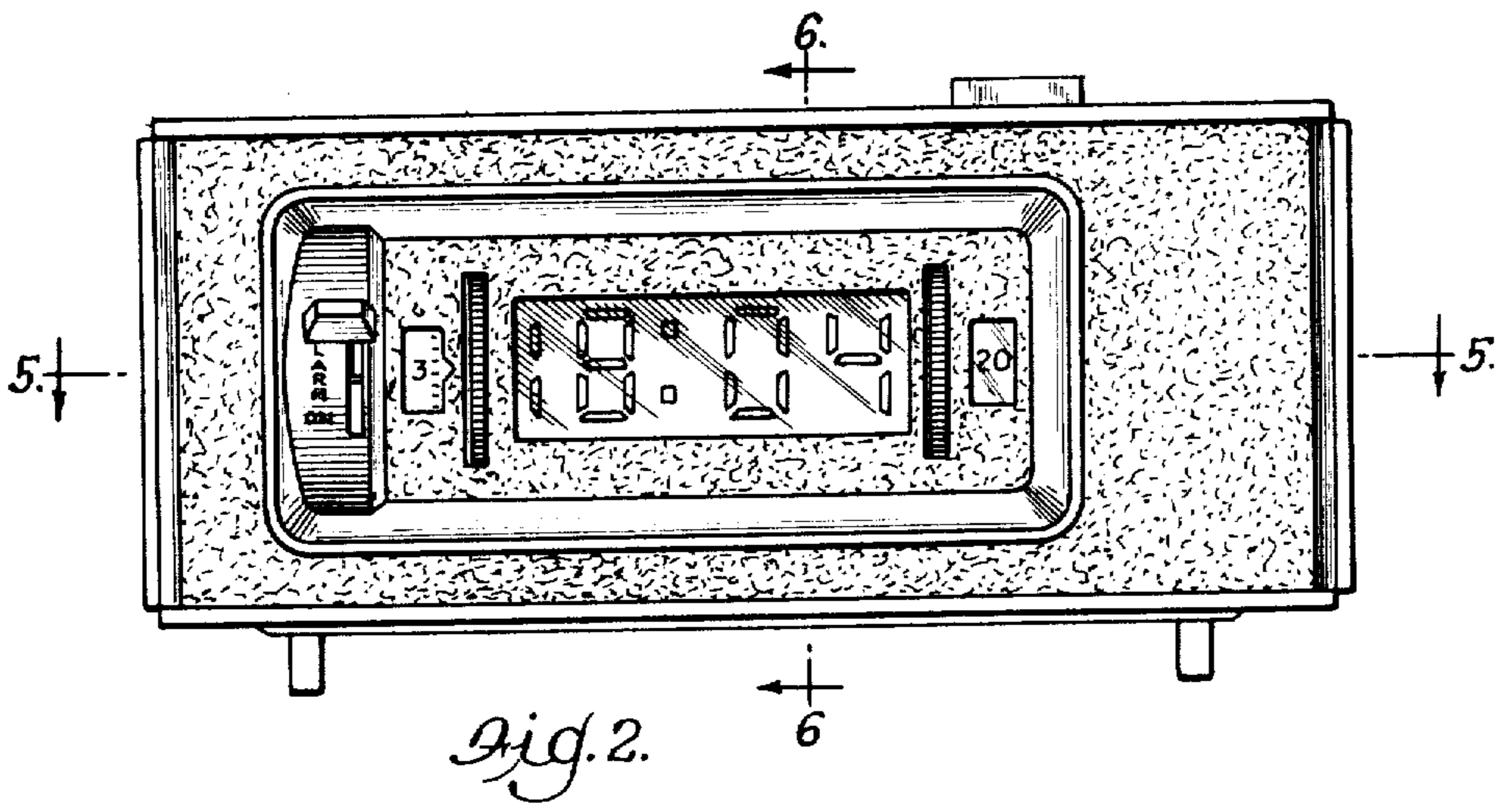
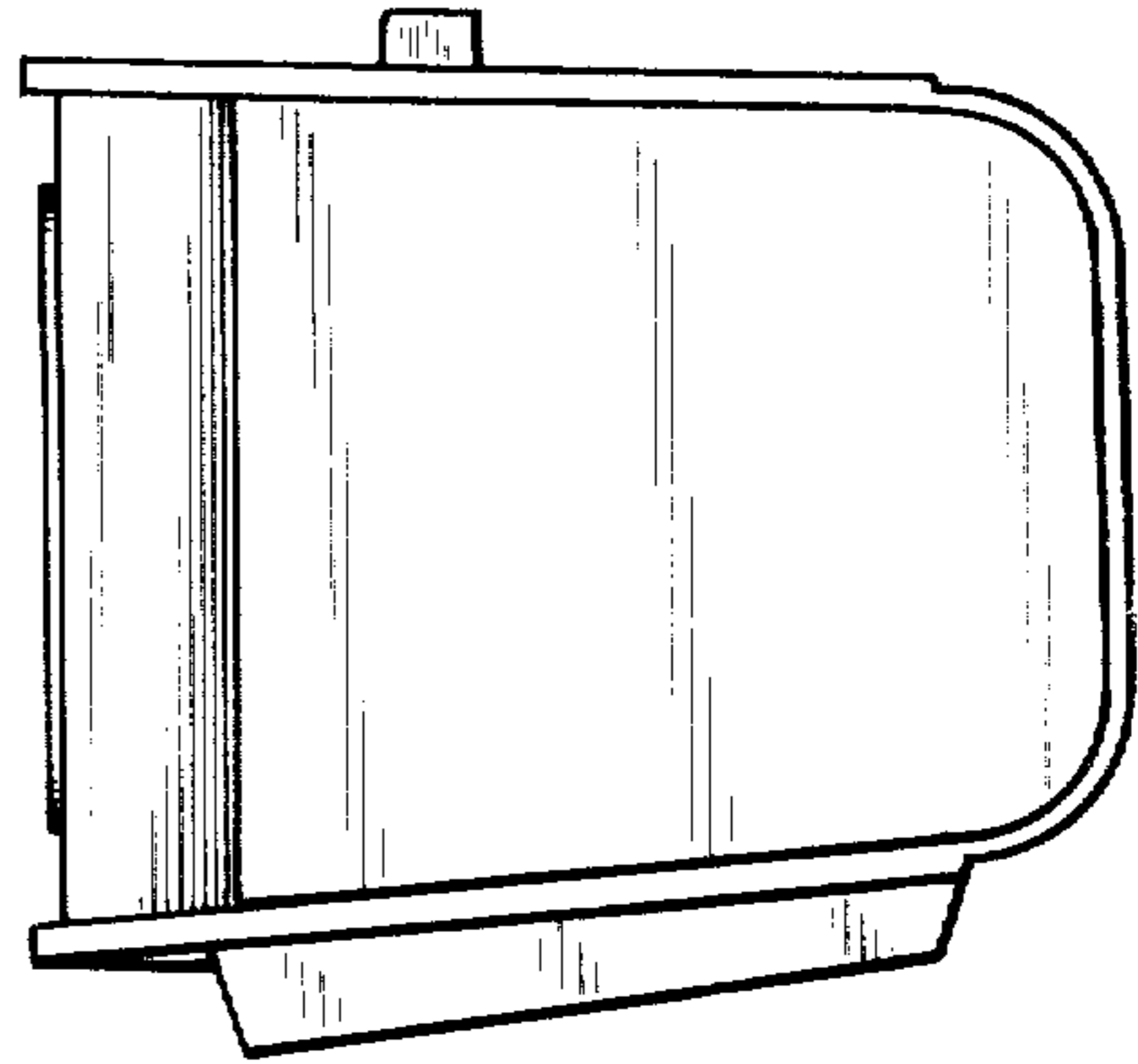


Fig. 2.

Fig. 4.

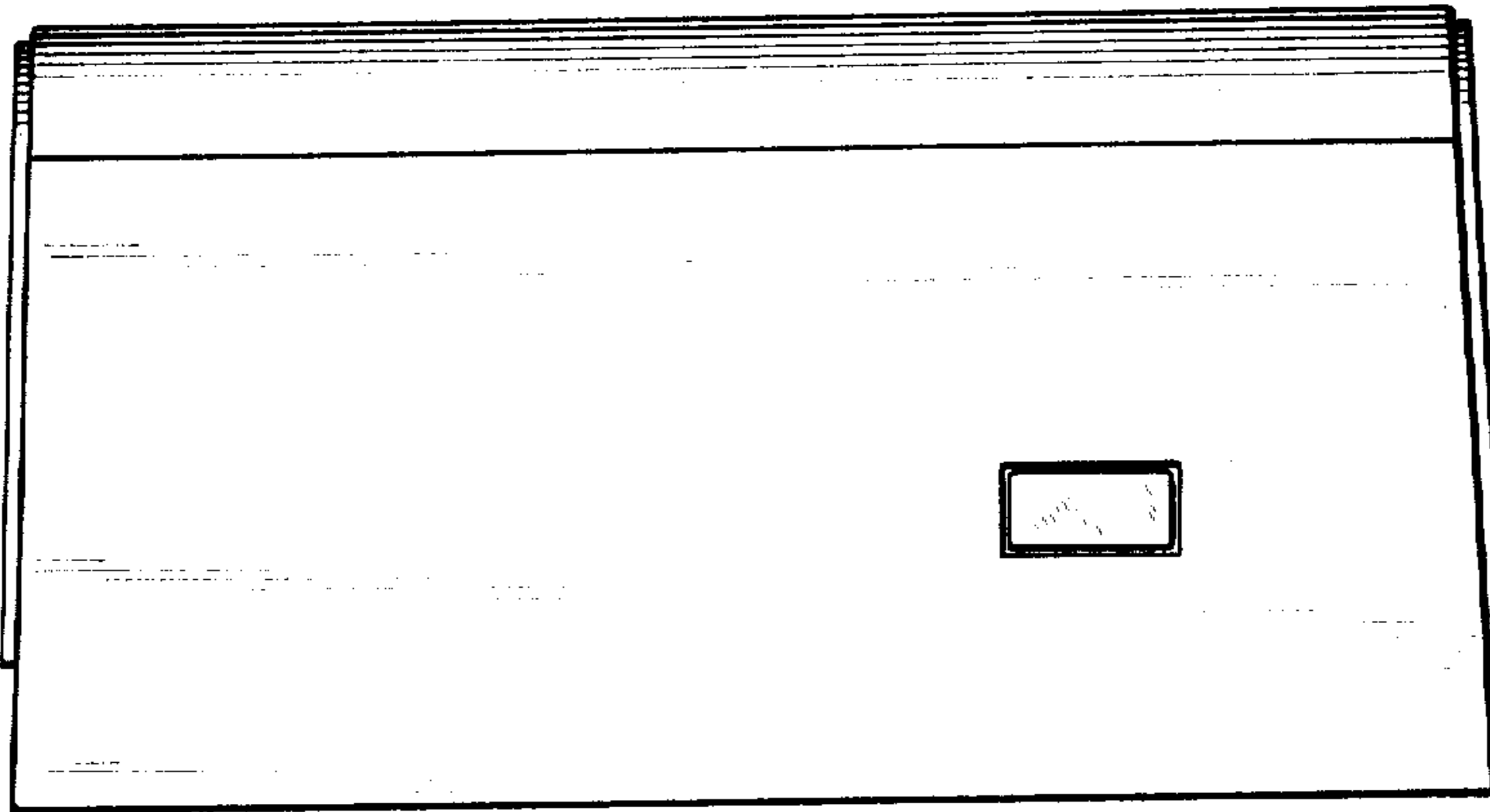


fig. 5.

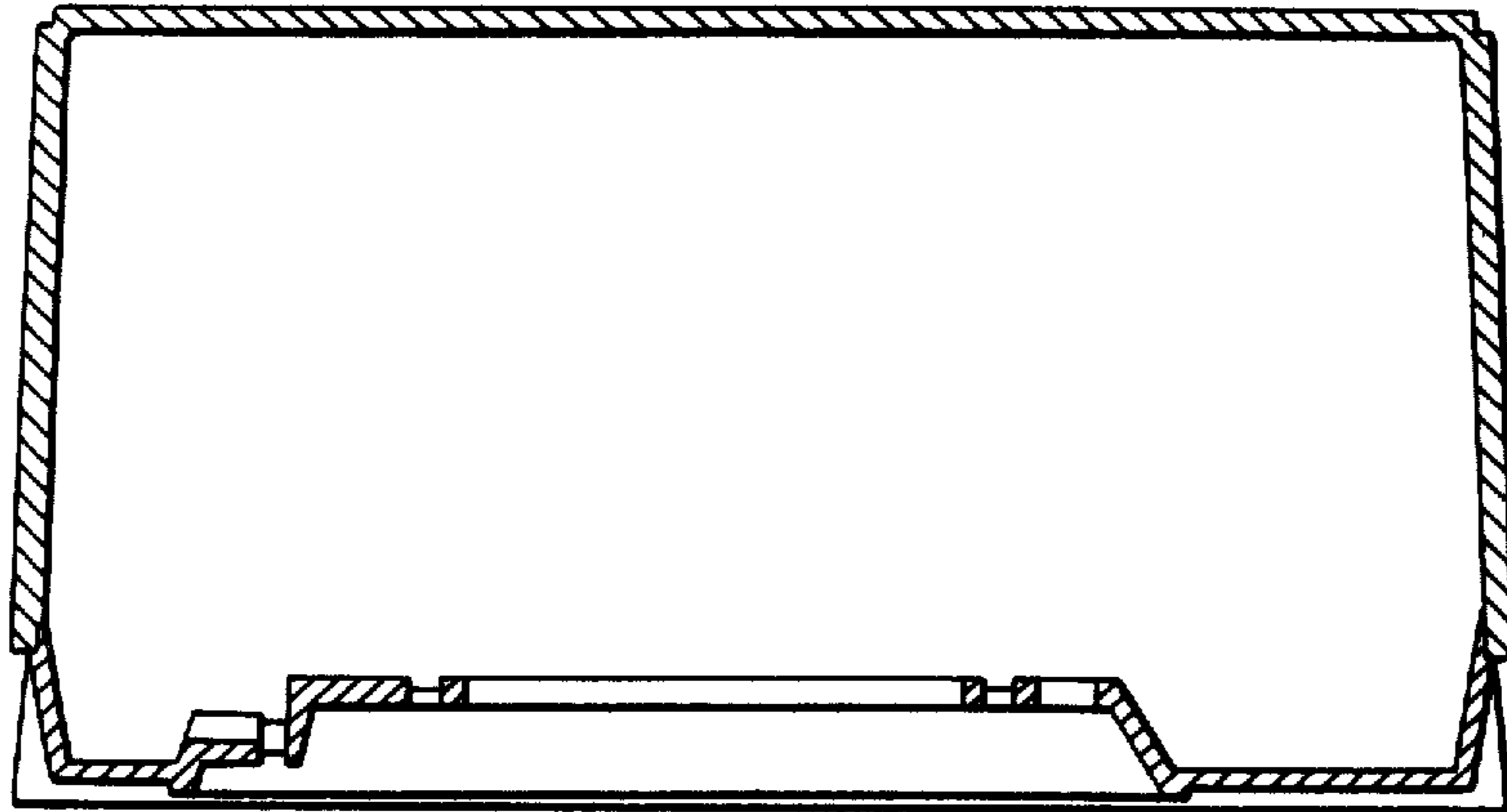


fig. 6.

