

[54] COLLAPSIBLE HANDLE

[75] Inventor: Robert G. McMullan, Oakville,
Canada

[73] Assignee: SCM (Canada) Limited, Don Mills,
Canada

[**] Term: 14 Years

[21] Appl. No.: 10,388

[22] Filed: Feb. 8, 1979

[51] Int. Cl. D9-99
[52] U.S. Cl. D9/434
[58] Field of Search D9/253, 291, 292, 294,
D9/434, 499; 229/41 R, 52 A, 52 B; 150/12;
206/606; 401/97; 426/122

[56]

References Cited

U.S. PATENT DOCUMENTS

2,220,913	11/1940	Ringler	229/52 A
2,888,164	5/1959	Corwin	229/52 B
3,974,911	8/1976	Graser	229/52 B
4,062,487	12/1977	Bliss	229/52 B
4,109,849	8/1978	Wood	229/52 B

Primary Examiner—Joel Stearman
Assistant Examiner—Carmen H. Vales
Attorney, Agent, or Firm—A. Joseph Gibbons

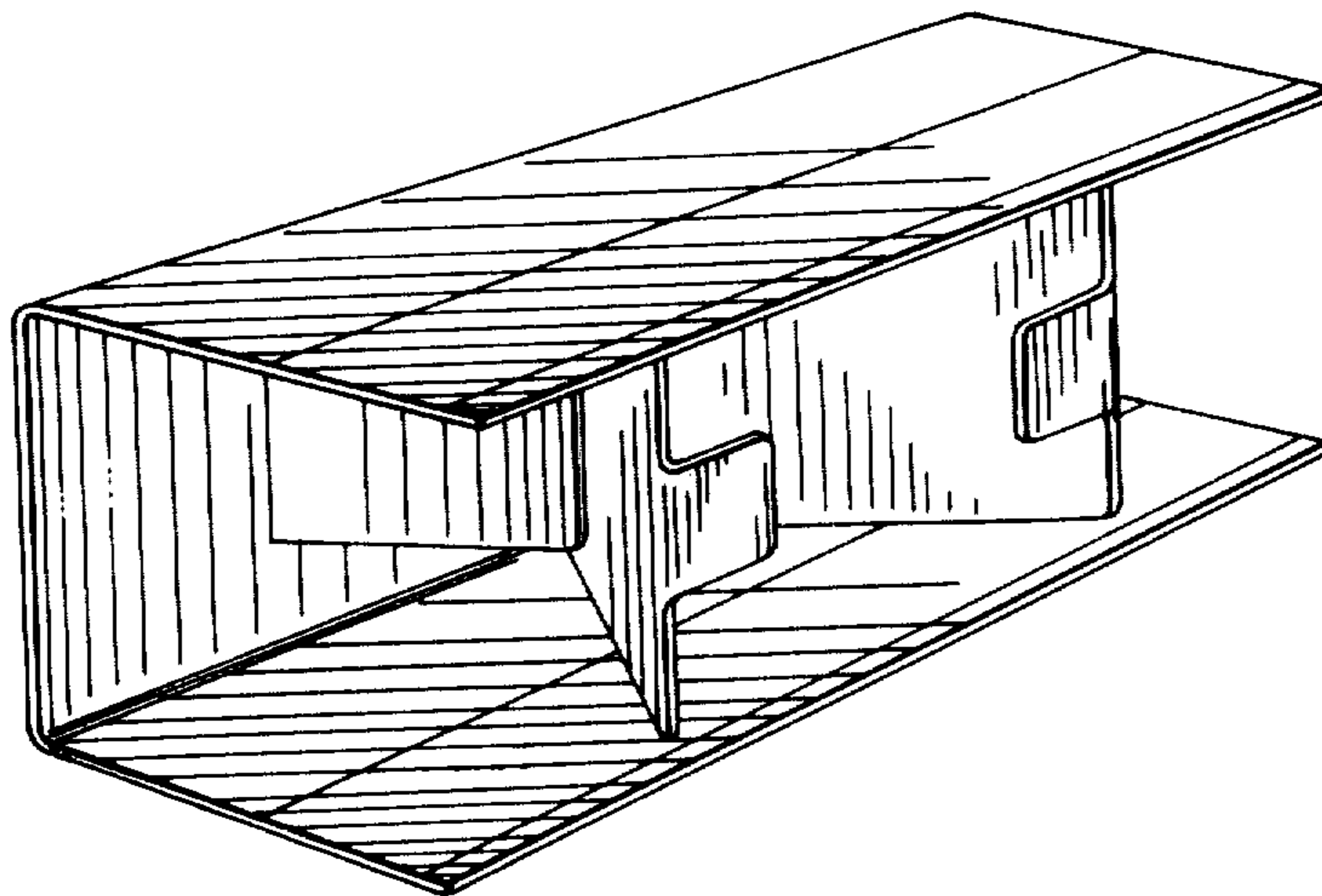
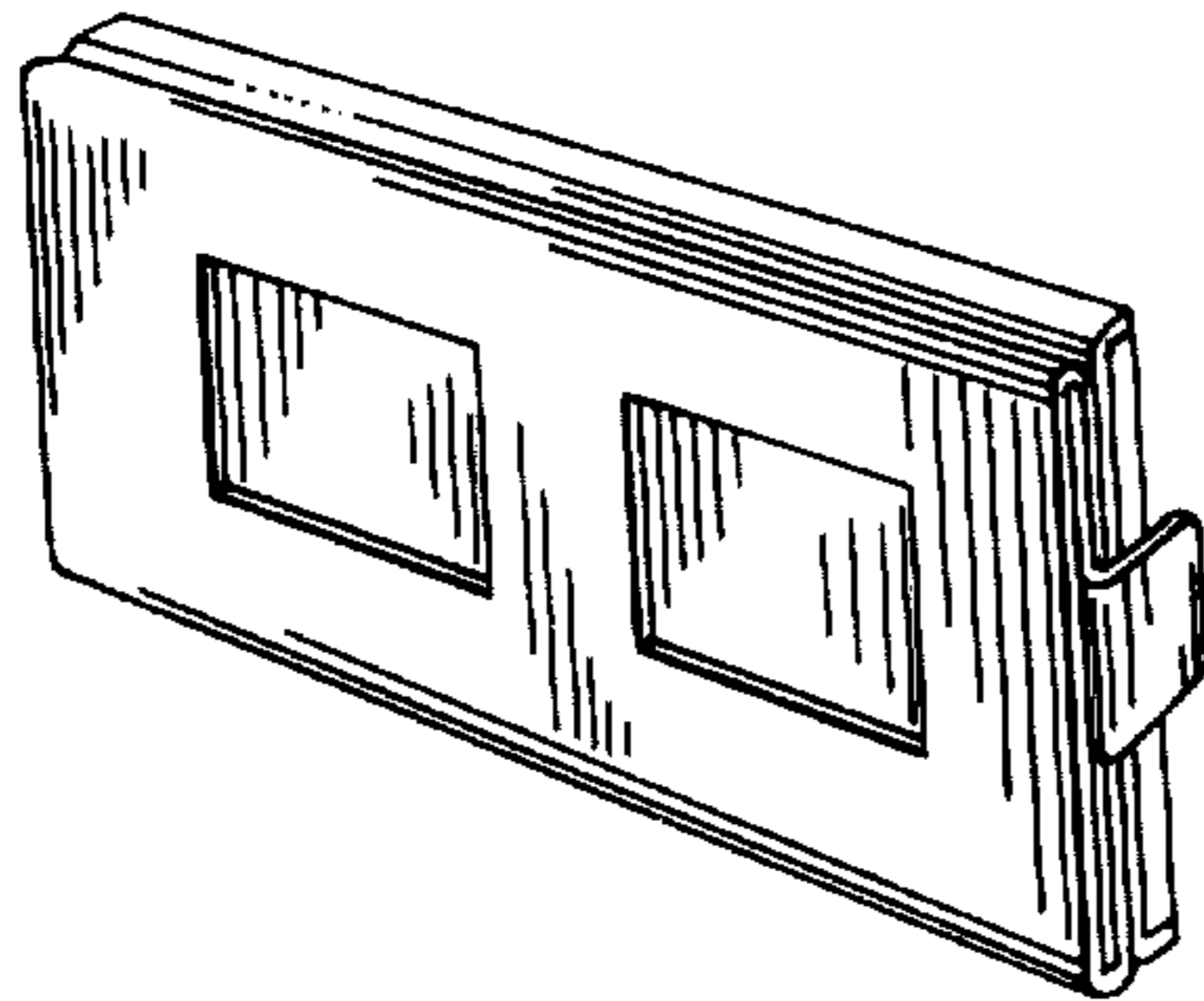
[57]

CLAIM

The ornamental design for a collapsible handle, substantially as shown and described.

DESCRIPTION

FIG. 1 is a front perspective view of a collapsible handle showing my new design, in collapsed position; FIG. 2 is a rear perspective view thereof; FIG. 3 is a partially extended rear perspective view thereof; and FIG. 4 is a fully extended rear perspective view thereof.



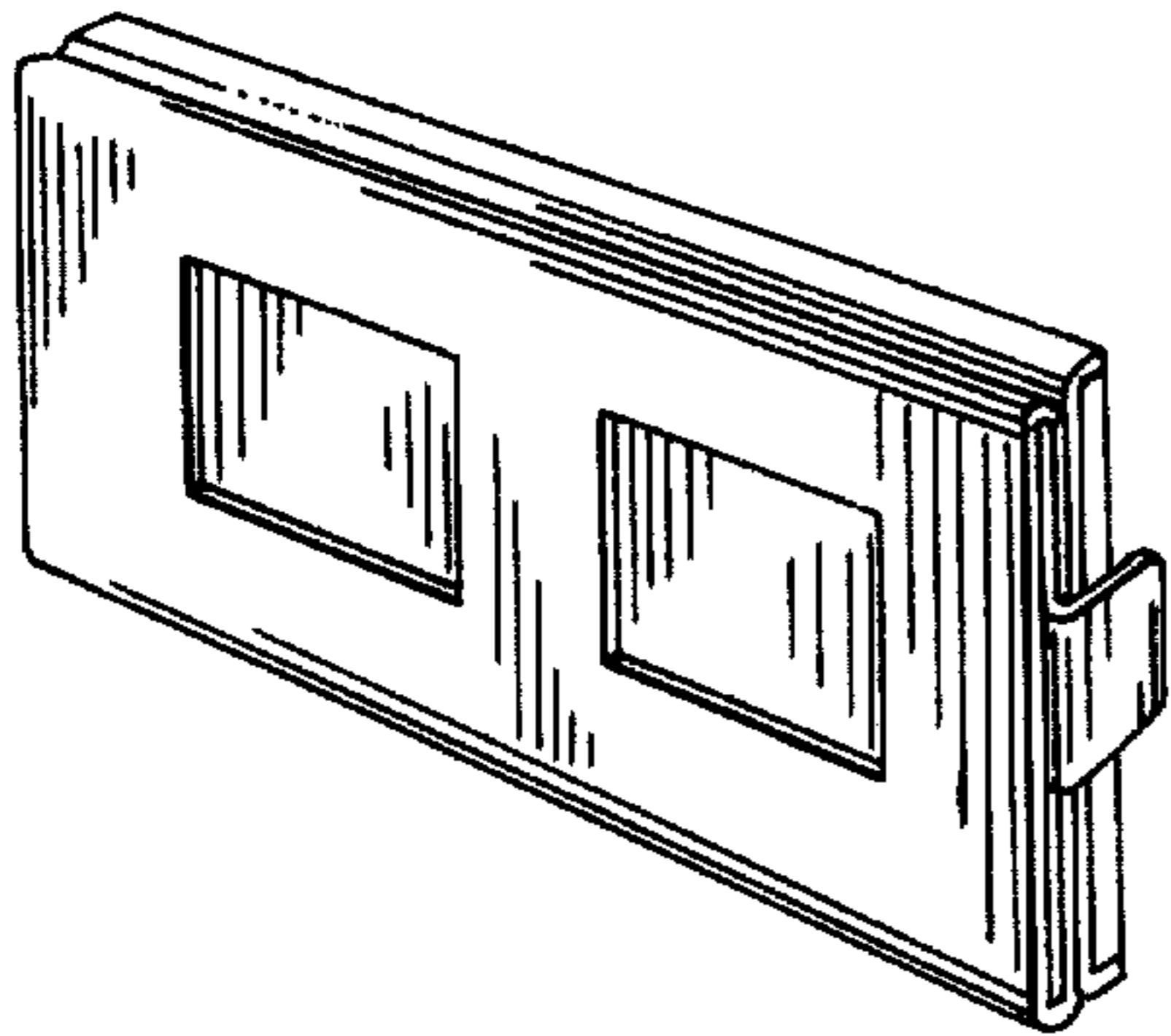


Fig. 1

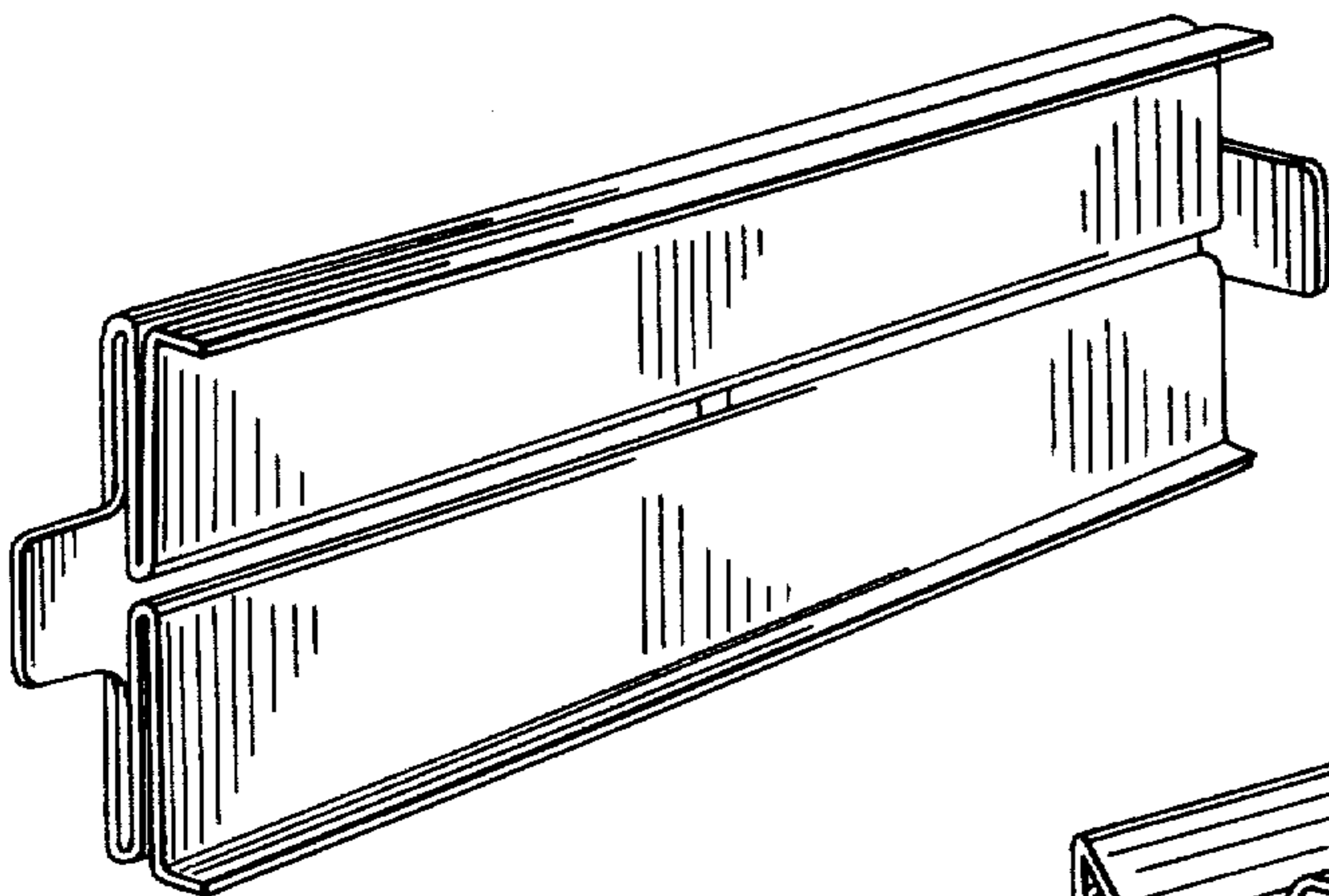


Fig. 2

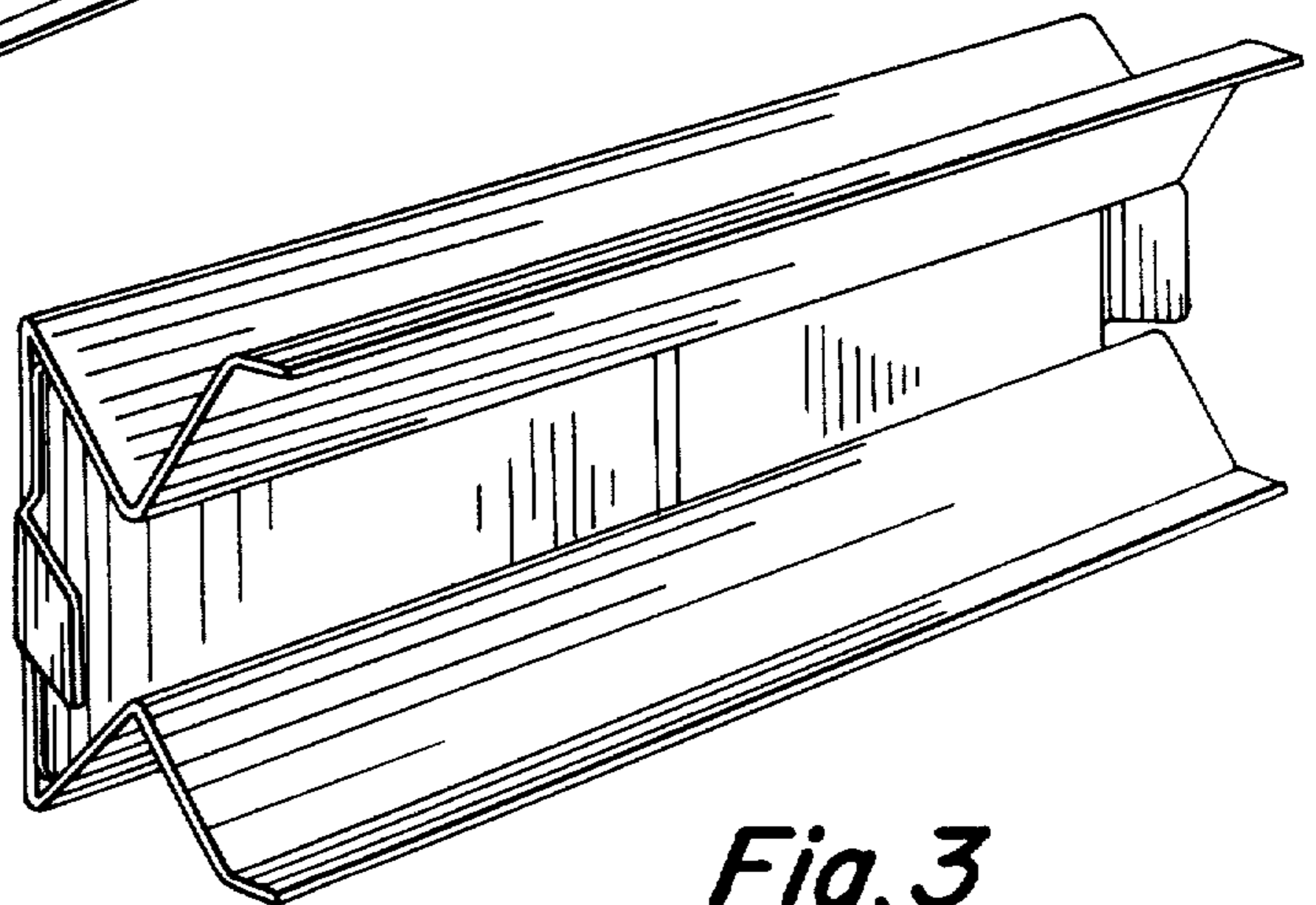


Fig. 3

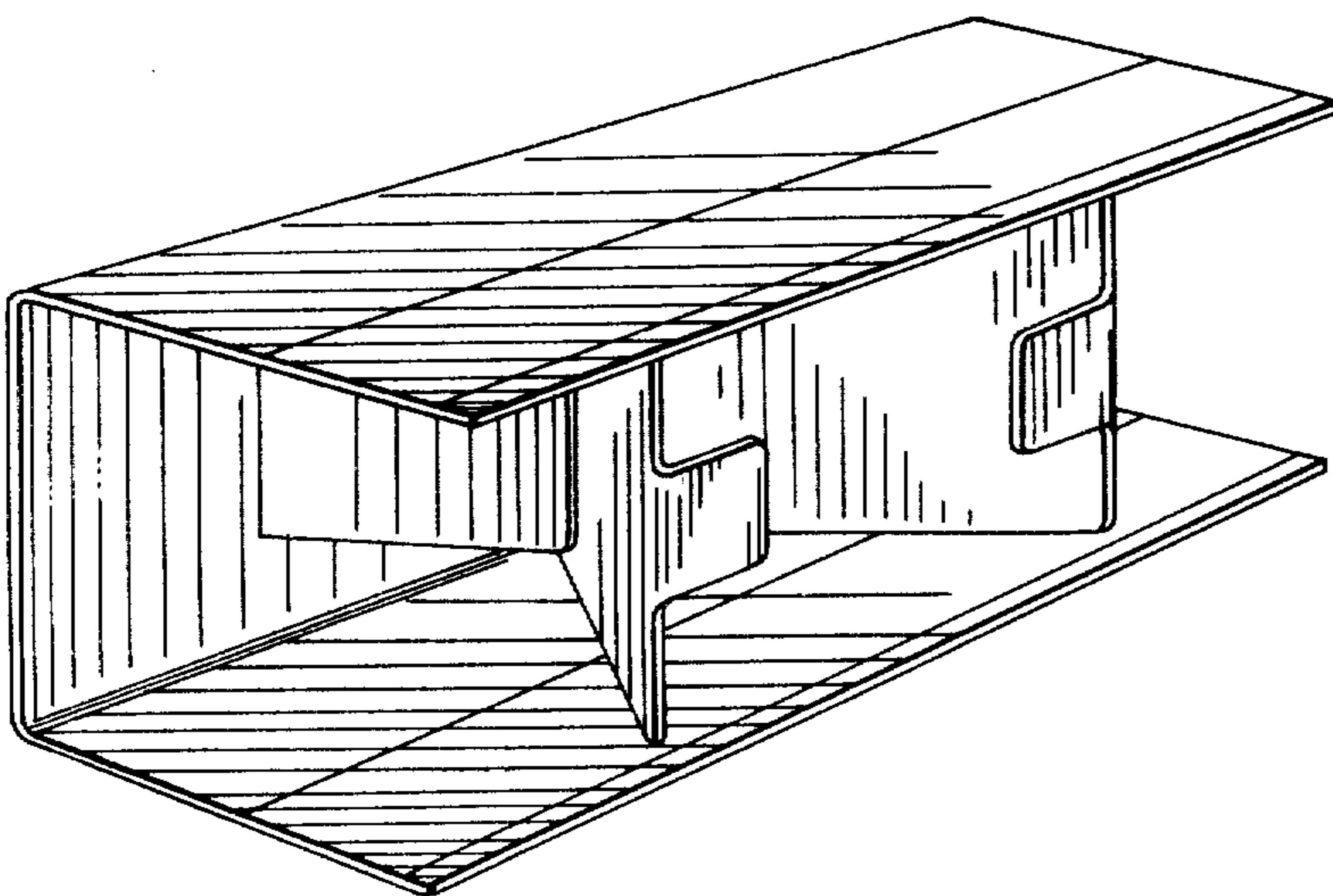


Fig. 4