

[54] PIVOT PIN FOR MOVABLE LOUVERS OR THE LIKE

[75] Inventor: Paul H. Sanderson, Jr., Lewisville, Tex.

[73] Assignee: Dowco Corporation, Dallas, Tex.

[**] Term: 14 Years

[21] Appl. No.: 21,616

[22] Filed: Mar. 19, 1979

[51] Int. Cl. D8-08

[52] U.S. Cl. D8/323; D8/382; D8/400

[58] Field of Search D8/323, 382, 400; 16/163, 128 R; 49/74, 78; D25/47, 48, 52; 52/473

[56] References Cited

U.S. PATENT DOCUMENTS

1,875,922	9/1932	Harbert	16/163
1,904,110	4/1933	Willmann	D25/52
3,691,687	9/1972	Economou	49/74

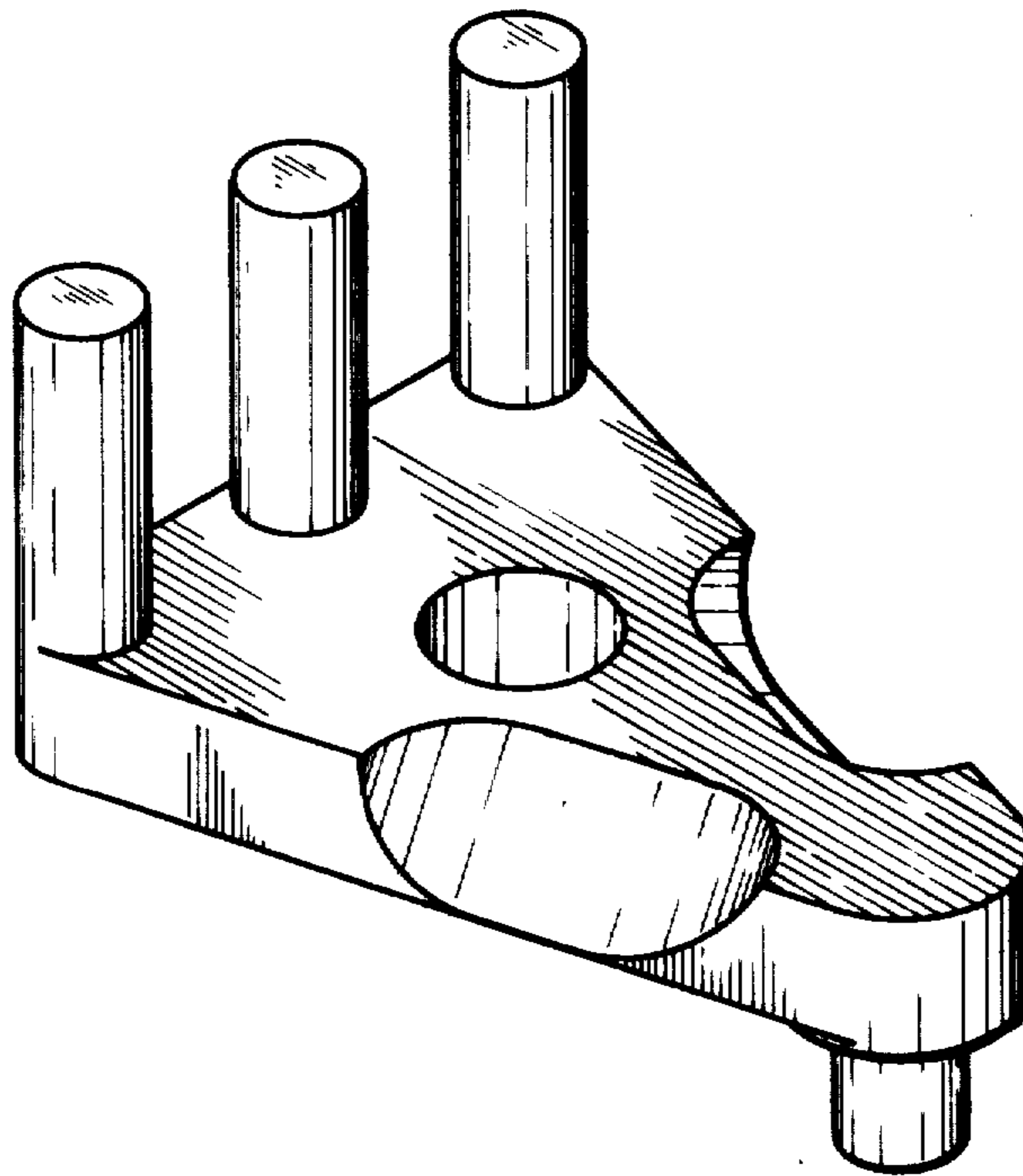
Primary Examiner—B. J. Bullock
Attorney, Agent, or Firm—Richards, Harris & Medlock

[57] CLAIM

The ornamental design for a pivot pin for movable louvers or the like, as shown.

DESCRIPTION

FIG. 1 is a perspective view of a pivot pin for movable louvers or the like showing my new design;
FIG. 2 is a top view thereof;
FIG. 3 is a side view taken from the left of FIG. 1;
FIG. 4 is a bottom view thereof;
FIG. 5 is an end view taken from the rear of FIG. 1;
FIG. 6 is a sectional view taken in the direction of the arrows on line 6—6 of FIG. 2.



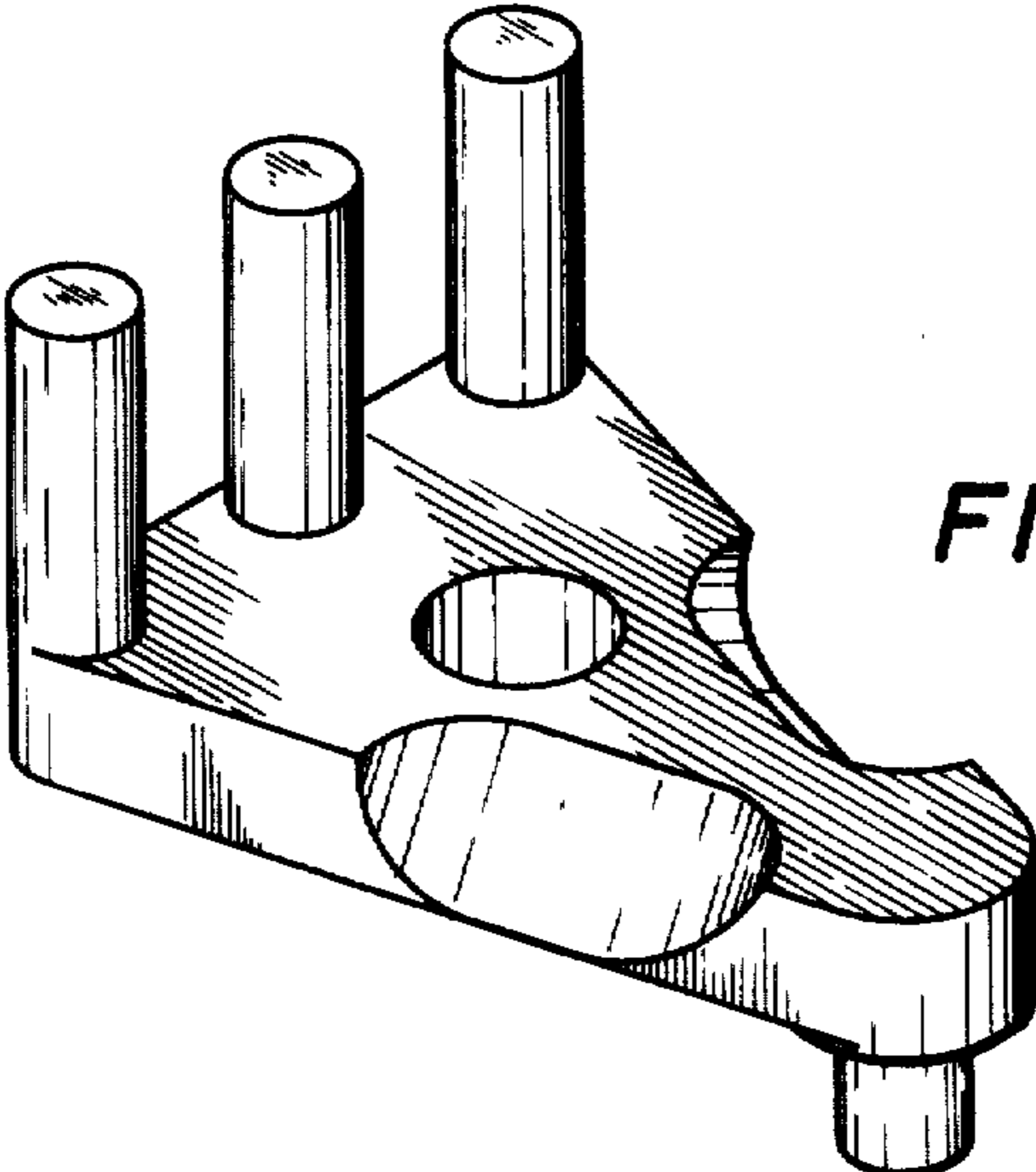


FIG. 1

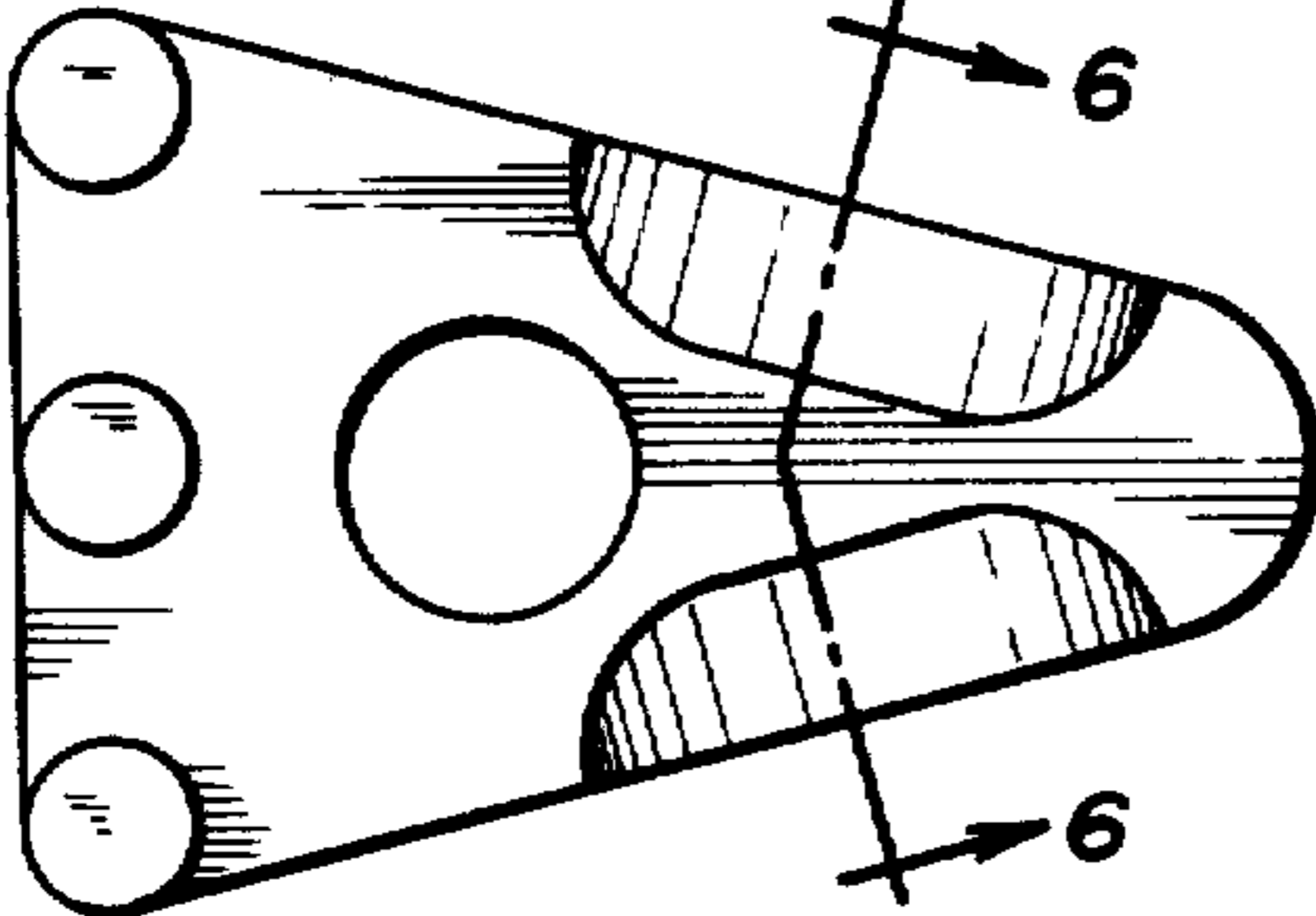


FIG. 2

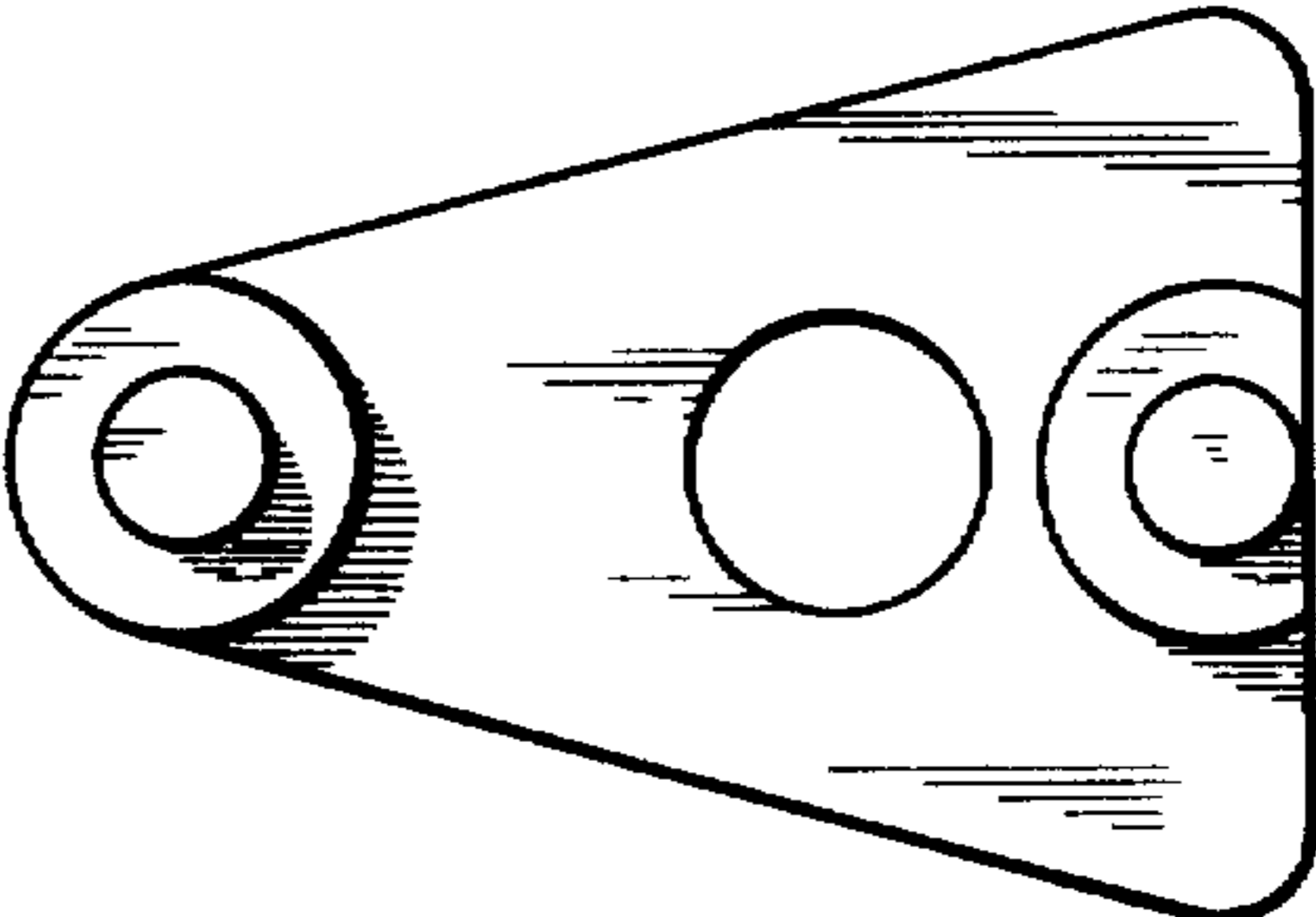


FIG. 4

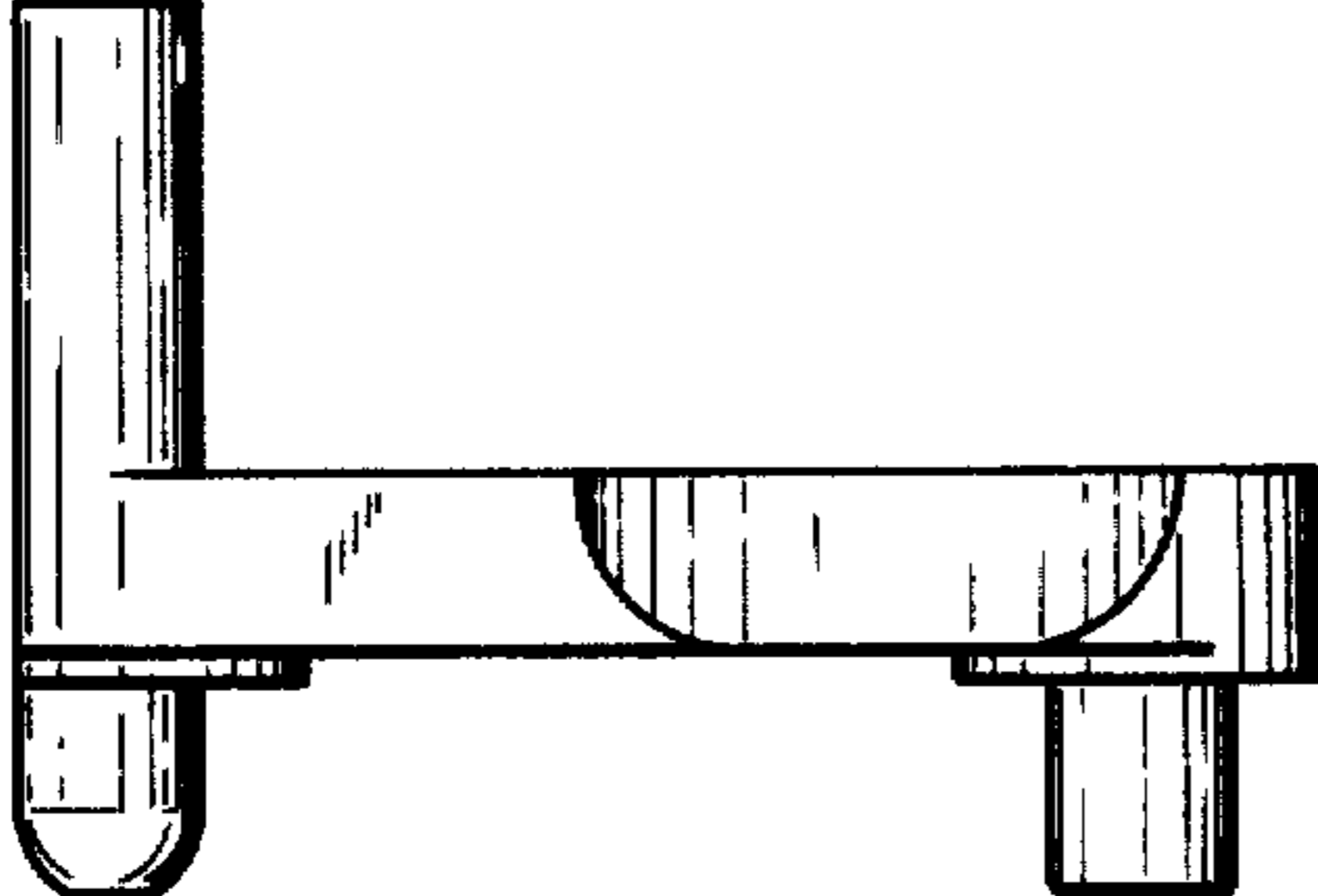


FIG. 3

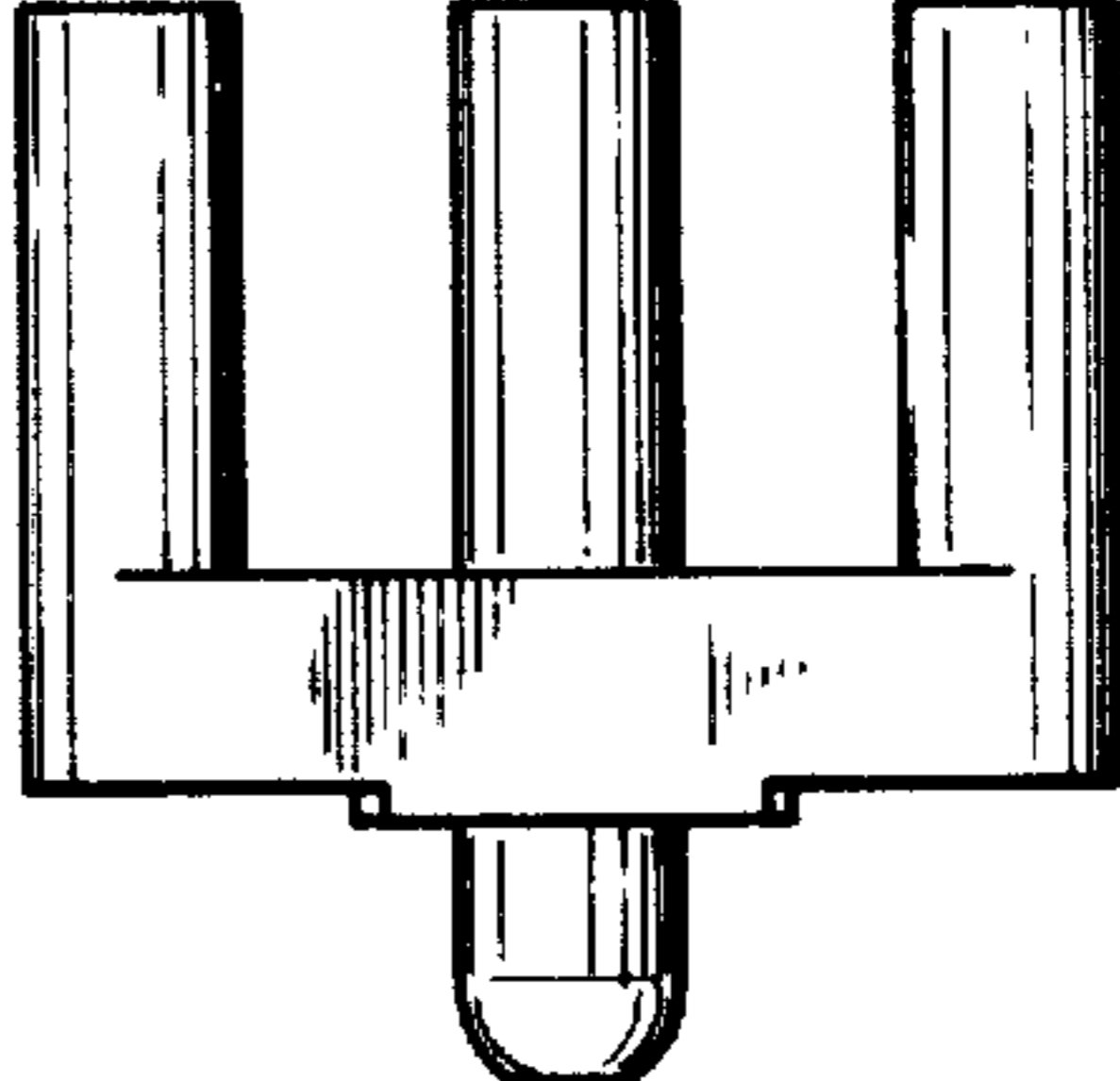


FIG. 5



FIG. 6