

[54] PNEUMATIC IMPACT WRENCH

[75] Inventor: Roderick F. Bunyea, Cockeysville, Md.

[73] Assignee: Black & Decker Inc., Newark, Del.

[**] Term: 14 Years

[21] Appl. No.: 64,964

[22] Filed: Aug. 8, 1979

[51] Int. Cl. D8-05

[52] U.S. Cl. D8/68

[58] Field of Search D8/68, 61; 81/52.3, 81/52.35, 54, 57, 57.11; 173/170, 163

[56] References Cited

U.S. PATENT DOCUMENTS

- D. 223,134 3/1972 Bunyer D8/68
- D. 256,980 9/1980 Adams et al. D8/68

Primary Examiner—A. Hugo Word
Attorney, Agent, or Firm—Edward D. Murphy; Leonard Bloom; Harold Weinstein

[57] CLAIM

The ornamental design for a pneumatic impact wrench, as shown and described.

DESCRIPTION

FIG. 1 is a top plan view of a pneumatic impact wrench in accordance with this invention;

FIG. 2 is a side elevation view of the device shown in FIG. 1; the view of the opposite side of the device is the same;

FIG. 3 is a rear elevational view of the device shown in FIG. 1;

FIG. 4 is a front elevational view of the device shown in FIG. 1; and

FIG. 5 is a bottom plan view of the device shown in FIG. 1.

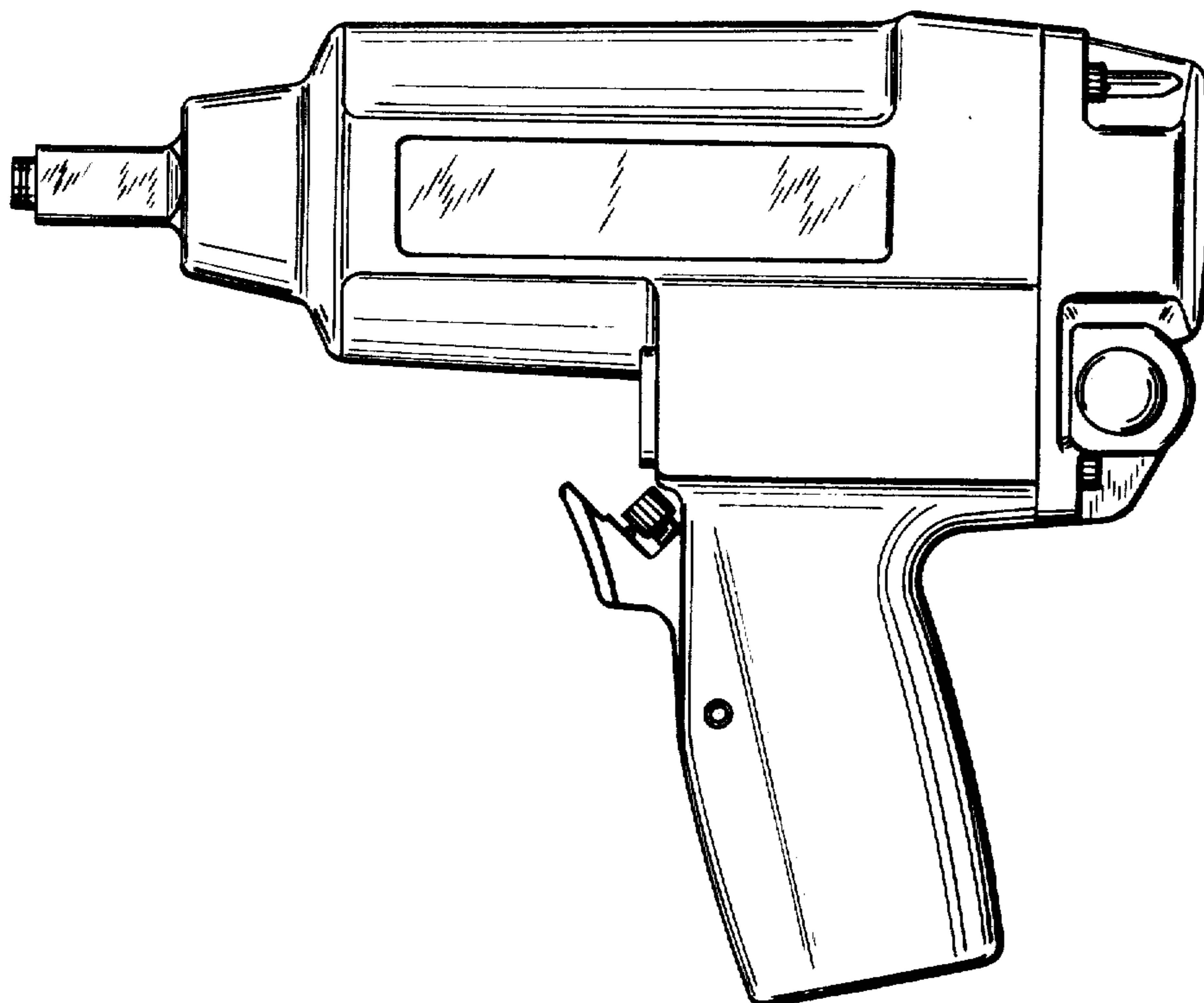


FIG. 1

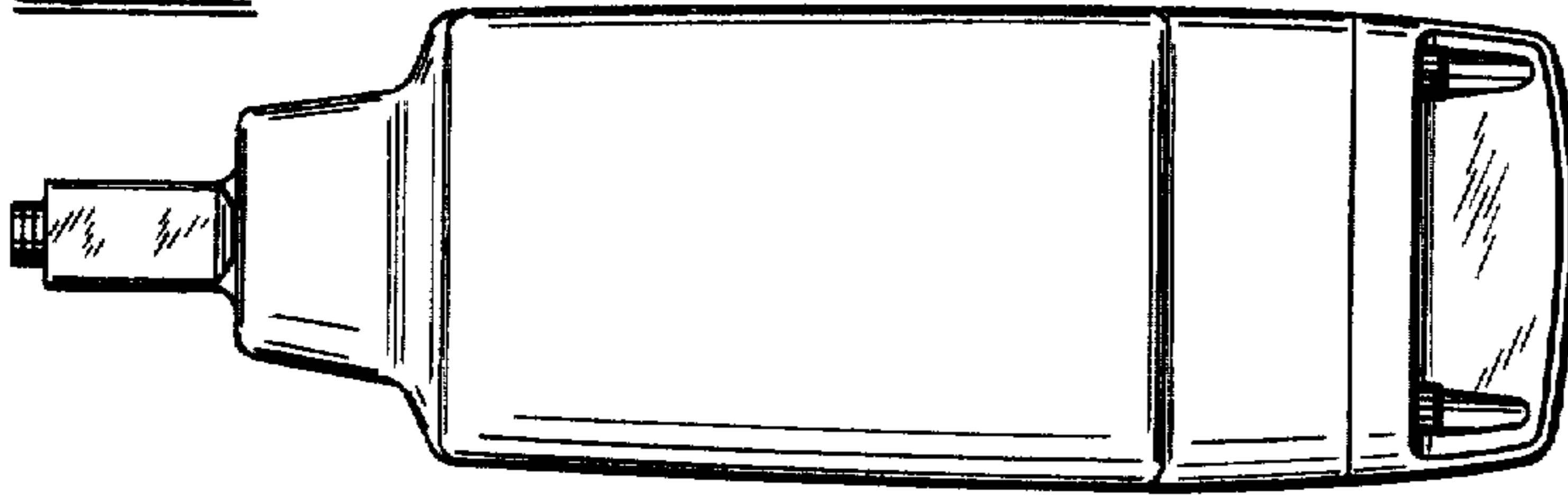


FIG. 2

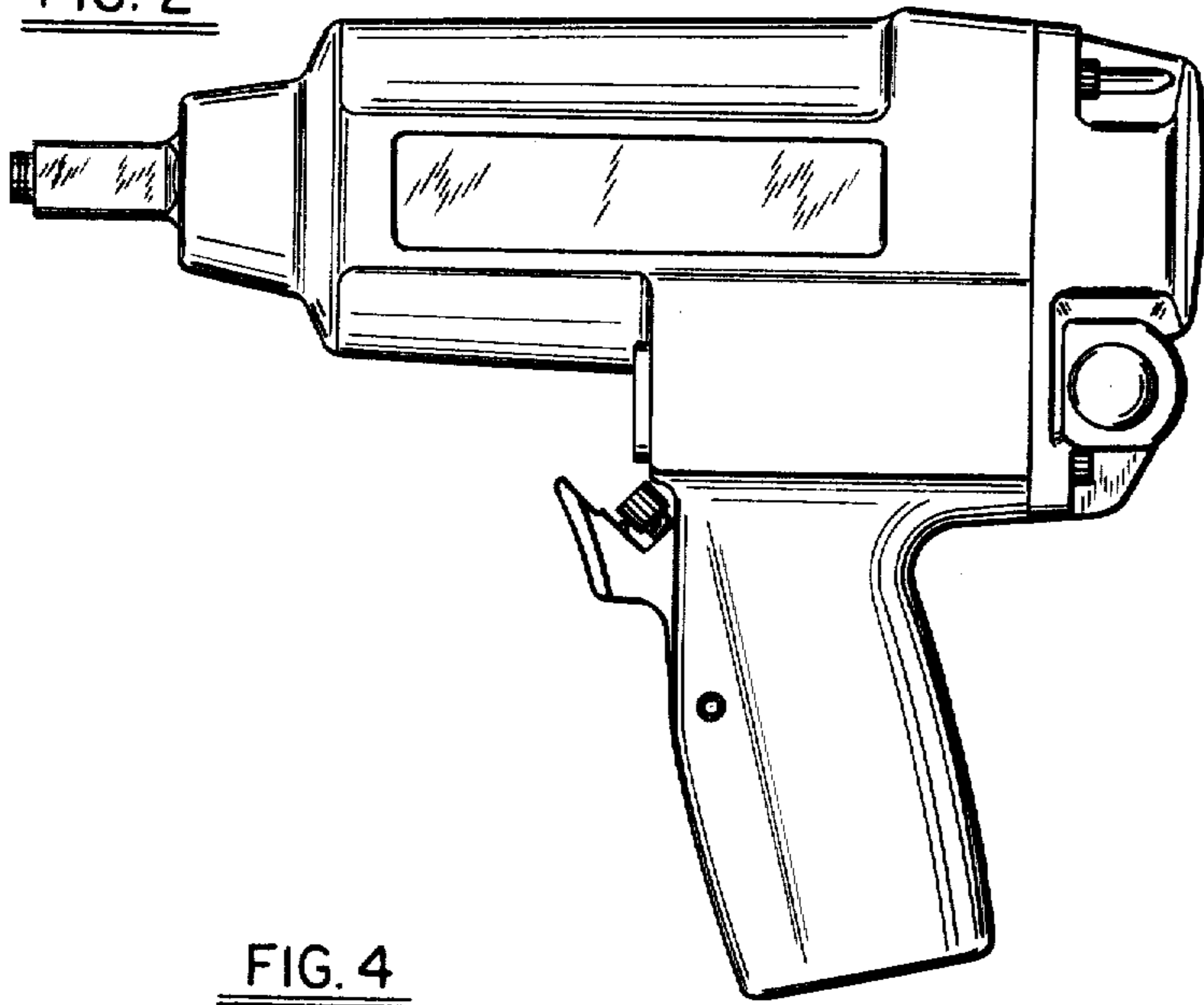


FIG. 3

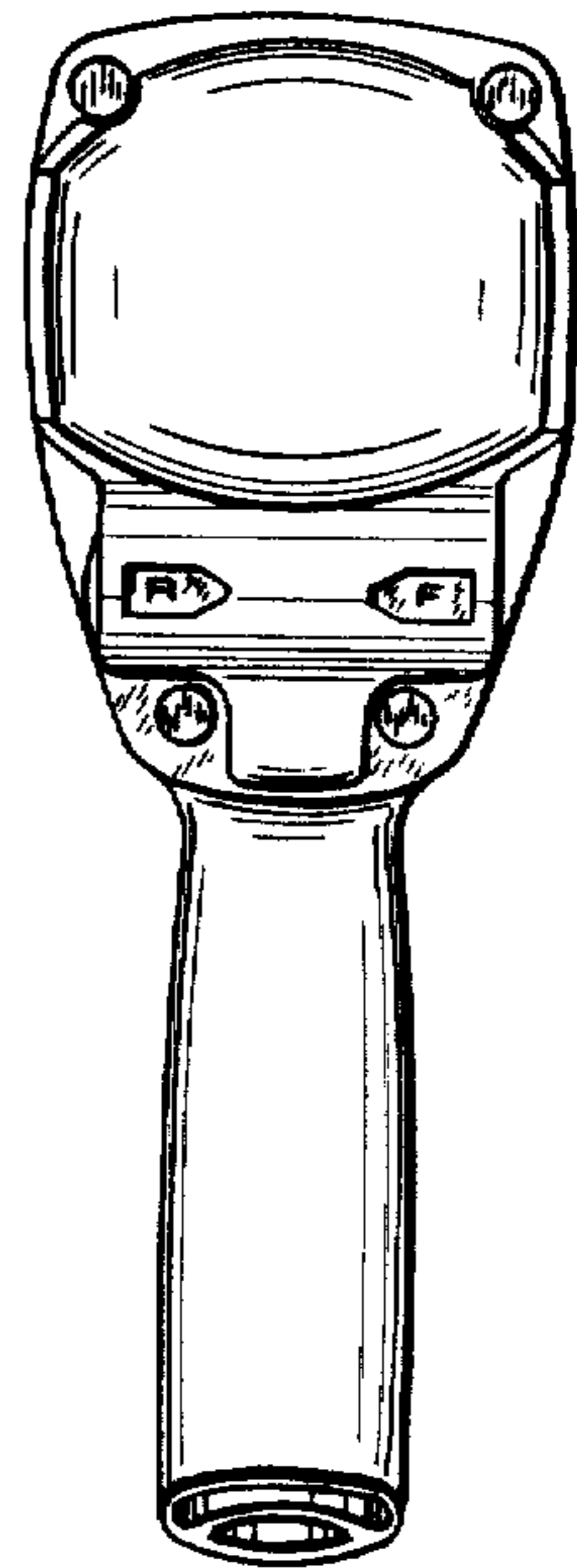


FIG. 4

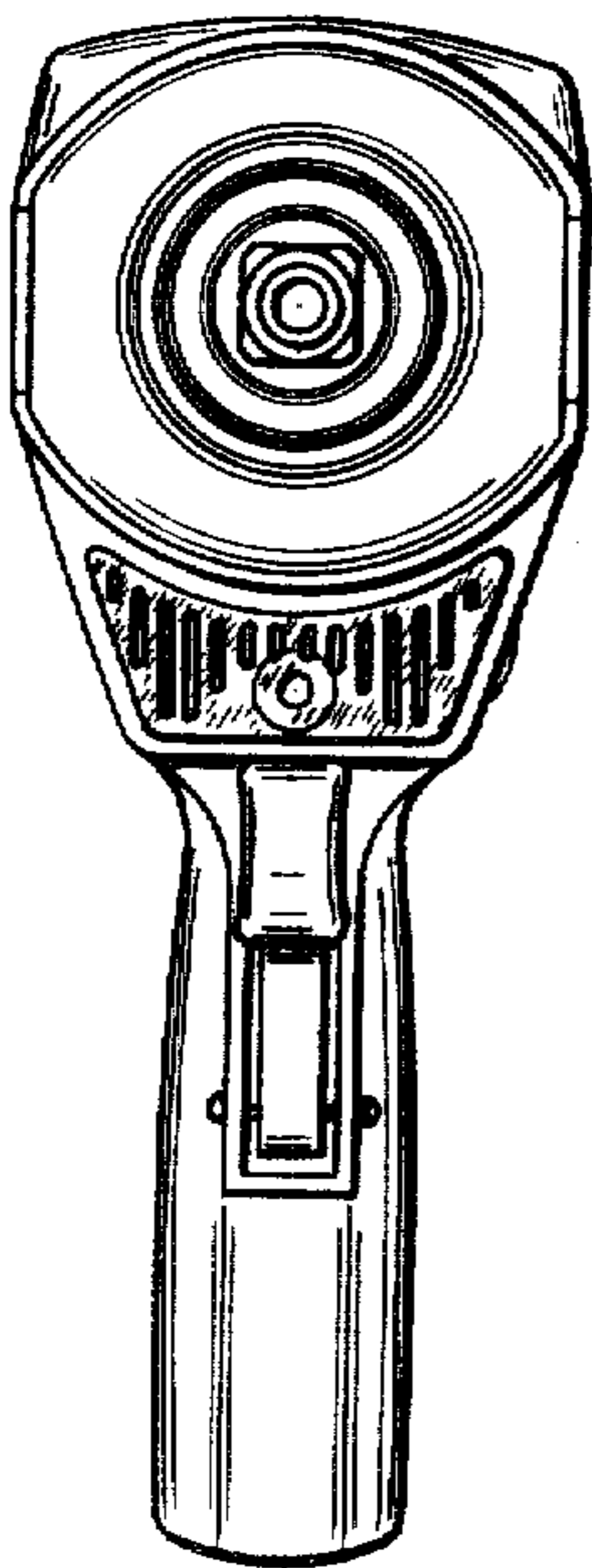


FIG. 5

