

[54] FIRE SCREEN

[75] Inventor: **Ralph E. Matthews**, Decatur, Ala.

[73] Assignee: **Matthews Machine Co., Inc.**,
Decatur, Ala.

[**] Term: **14 Years**

[21] Appl. No.: **32,718**

[22] Filed: **Apr. 23, 1979**

[51] Int. Cl. **D7-08**

[52] U.S. Cl. **D7/208**

[58] Field of Search **D7/208; 126/138, 139,
126/140, 202; 160/DIG. 9**

[56]

References Cited

U.S. PATENT DOCUMENTS

D. 77,935	3/1929	Carlson	D7/208
3,913,558	10/1975	Caldwell	126/139
4,027,650	6/1977	Edwards	126/202
4,029,076	6/1977	Simington	126/202 X

Primary Examiner—Catherine E. Kemper
Attorney, Agent, or Firm—Woodford R. Thompson, Jr.

[57]

CLAIM

The ornamental design for a fire screen, as shown.

DESCRIPTION

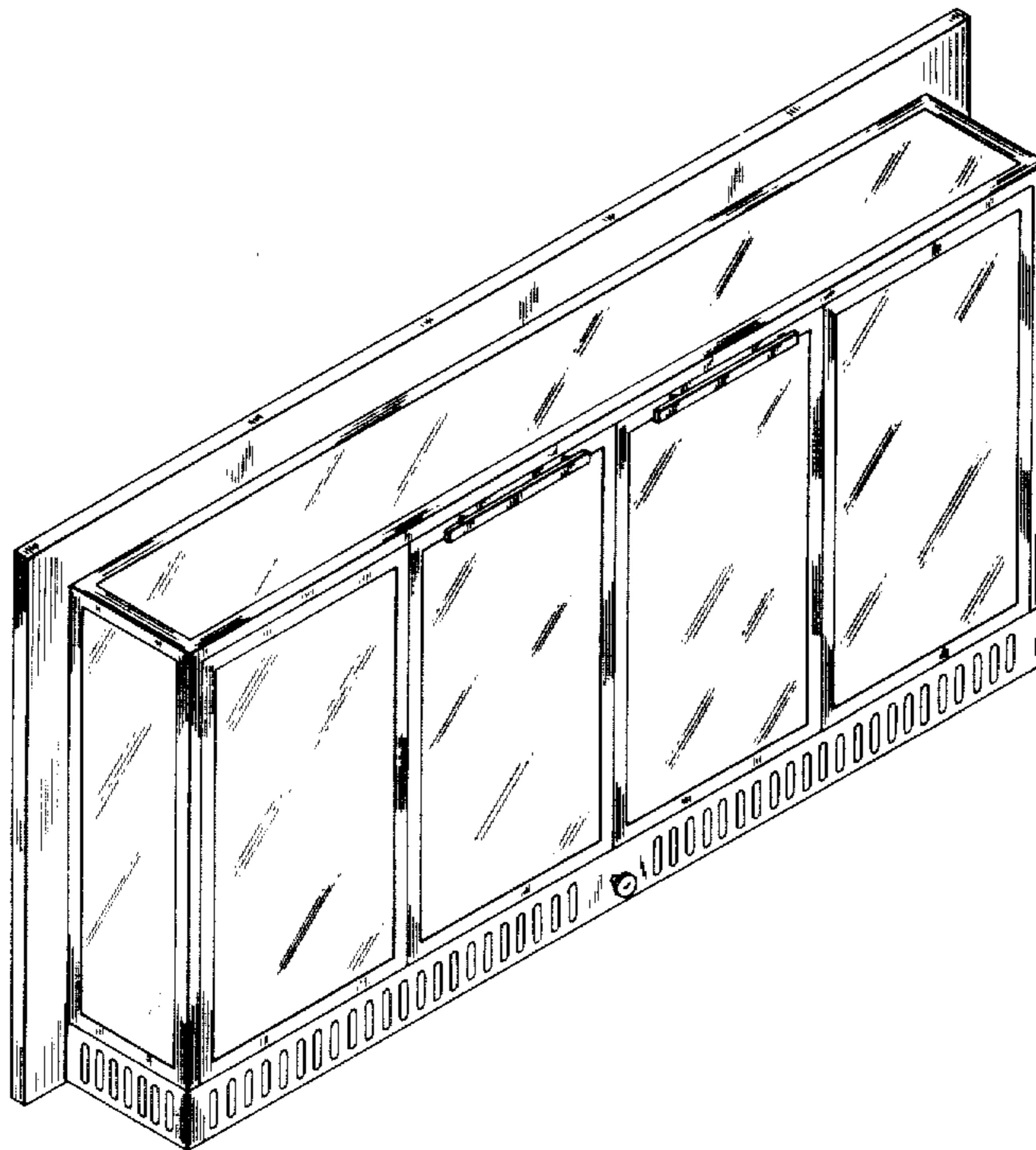
FIG. 1 is a perspective view of a fire screen showing my new design;

FIG. 2 is a front elevational view thereof;

FIG. 3 is a top plan view thereof;

FIG. 4 is a side elevational view thereof; and

FIG. 5 is a side elevational view of the side opposite that in FIG. 4.



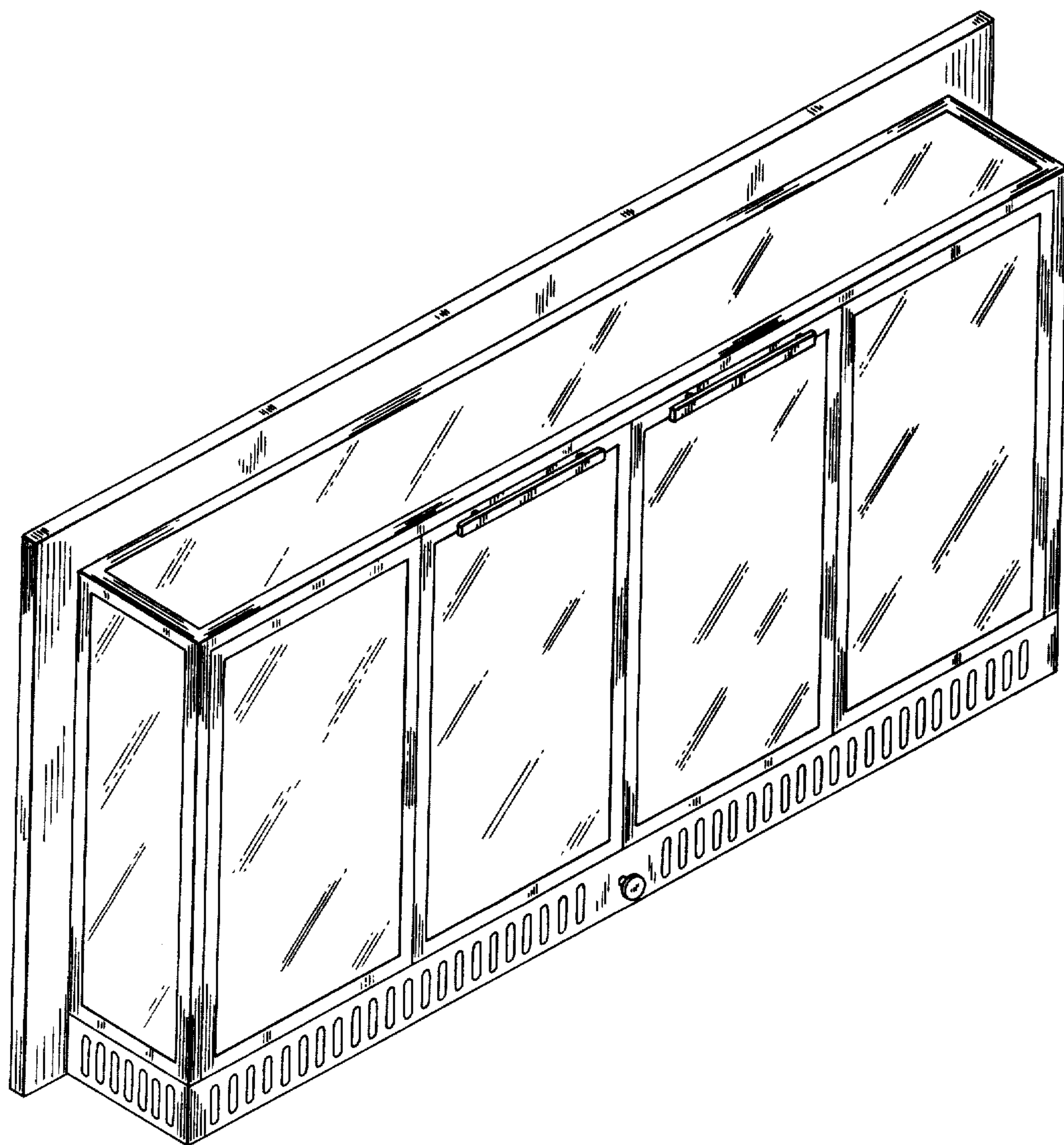


FIG. 1

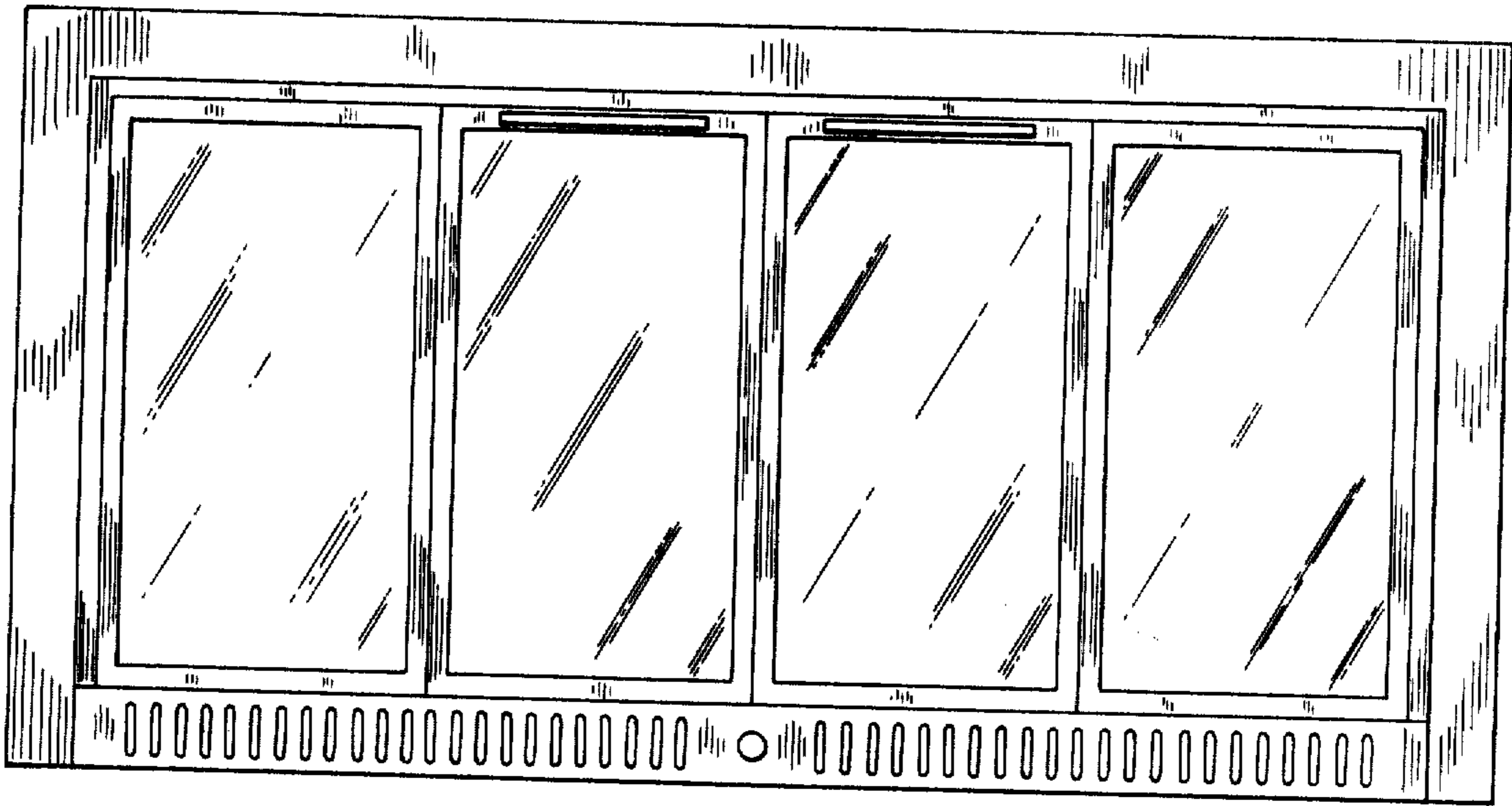


FIG. 2

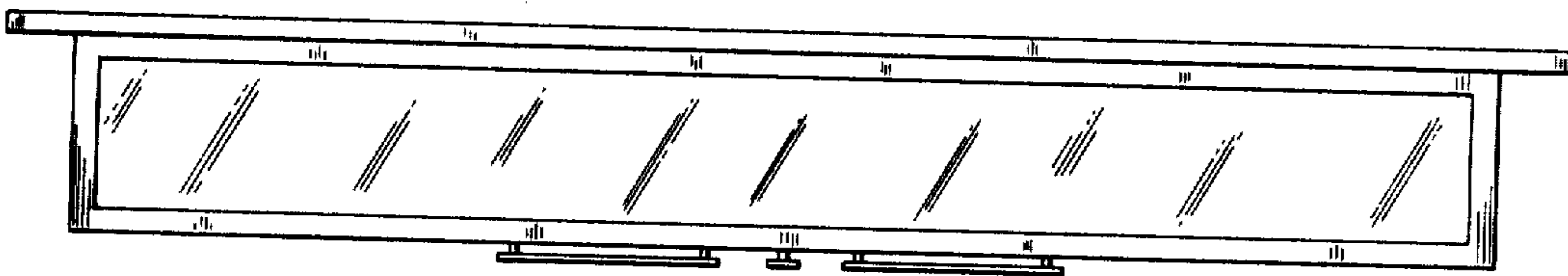


FIG. 3

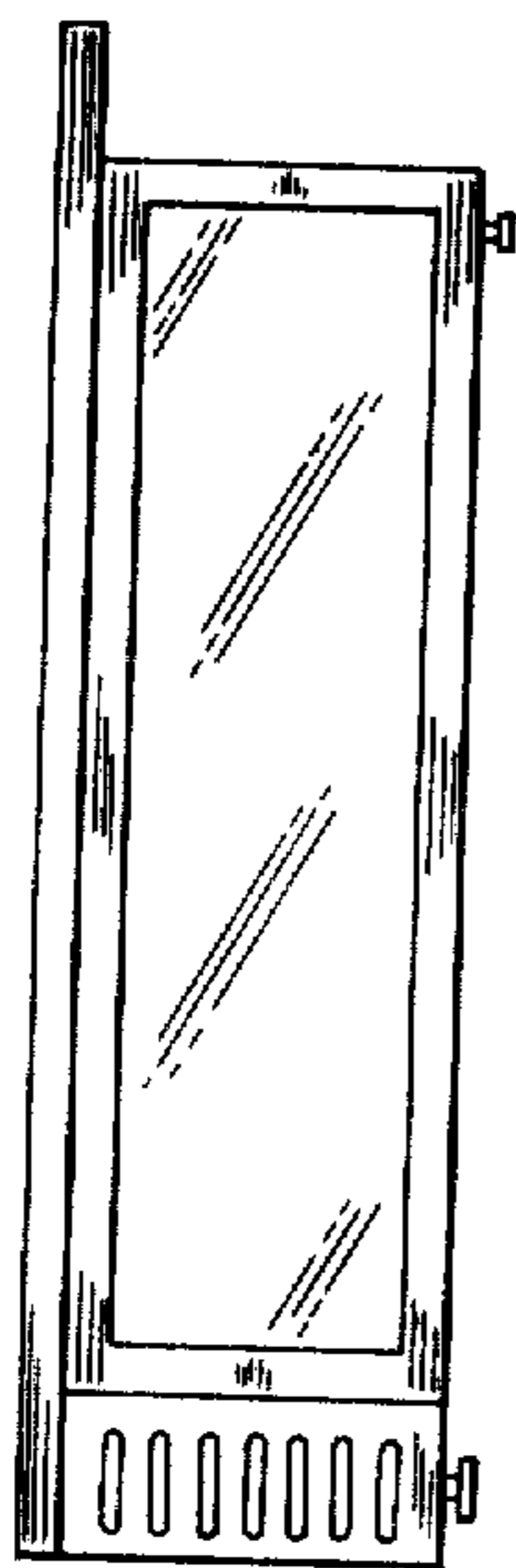


FIG. 4

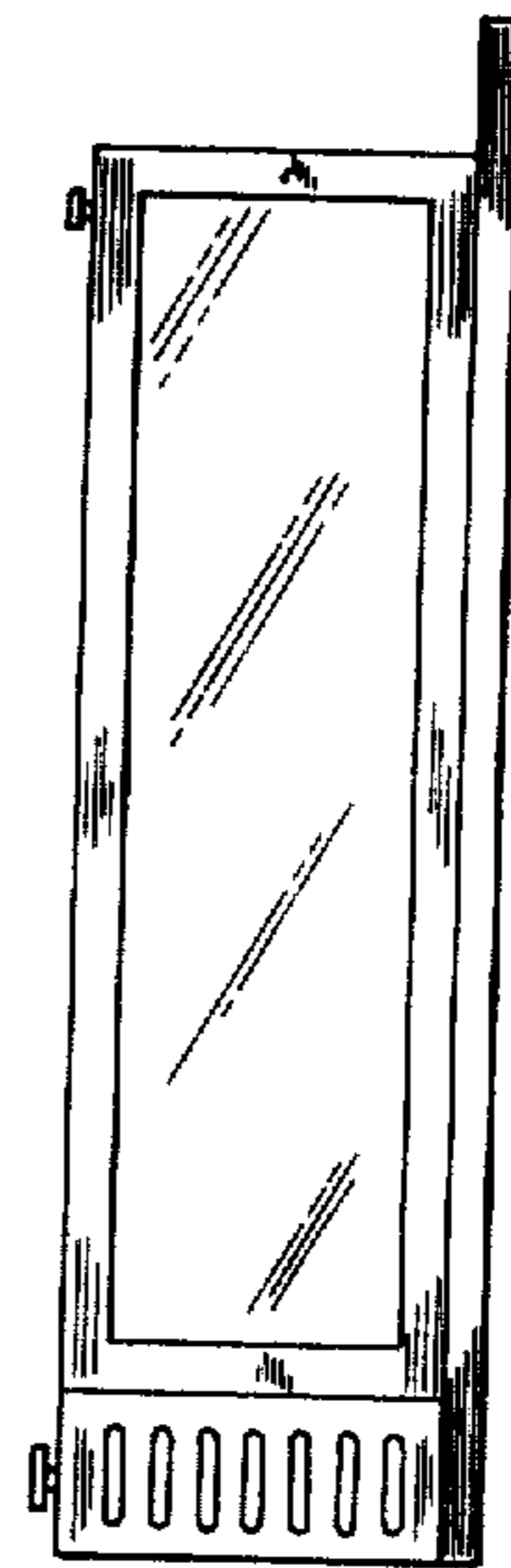


FIG. 5